

FOR THE FUTURE WITH PASSION & CREATIVITY & CHALLENGE

# SUN KOREA

VISION

*FOR THE FUTURE WITH  
PASSION & CREATIVITY & CHALLENGE!*



**SUN KOREA with DREAM & FUTURE**

**FOR THE FUTURE WITH PASSION & CREATIVITY  
& CHALLENGE, SUN KOREA CO.,LTD.**





## CONTENTS

GREETING · 4

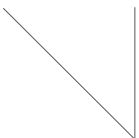
ORGANIZATION · 5

HISTORY · 6

OUR PROMISE TO OUR CUSTOMERS · 8

MARKET AREA · 10

PRODUCT INTRODUCTION · 11

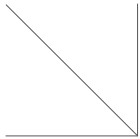


We comply with basic principle for business management and maintain a clean organization culture. Better working environment and welfare for employees can give more opportunities for self-development. We always care for the bigger performance-based on good compensation. Our employee has strong pride and good performance bring highest level of quality, continuous operational innovation and global competitiveness.

**We always believe,**  
“Promise and practice is our pride.”  
“Practical achievement is our life.”  
“Innovative people are the most important asset.”  
Don't forget “Customer's satisfaction is our heart.”

# *World, Stage of unlimited possibilities*

We heartily welcome your attention to  
“SUN KOREA CO., LTD.” catalogue and very honored to  
have an opportunity of introducing our company.



We, “SUN KOREA CO., LTD.” have focused on items of shipbuilding parts, on/offshore oil & gas, chemical & petrochemical area accumulating wealth of experience & excellent reputation because of strong competitiveness such as high quality, reasonable price and on time delivery.

On the strength of our challenge and our willingness to achieve a satisfaction of our customer, will make our best efforts to place its highest priority on our customer’s satisfaction and grow further to ensure prosperity for all our business partner.

We will continue to take on new challenge and find new ways to improve our products and services. As we can instruct technical advice and control the quality for our customer’s demand with professional dealing experience in these items, we believe can find many ways to cooperate with you for our mutual benefit.

We also continue our best attention to satisfy customer’s demand with full of service and strongly want to develop long term business relationship on the basis of credit.

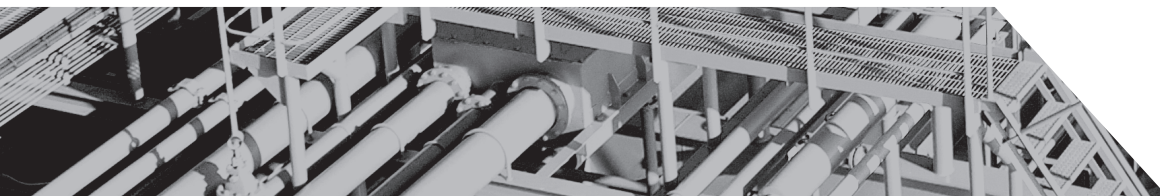
We look forward to your continued encouragement and support.  
Always very appreciated for your kindly attention & cooperation !

---

Thanks & best regards

President

S.S LEE (James Lee) *James. Lee*





**SUN KOREA CO., LTD**

#498-65, DAEJEON 1 DONG, GANGSEO-GU, BUSAN, KOREA

**SUN PRECISION CO., LTD**

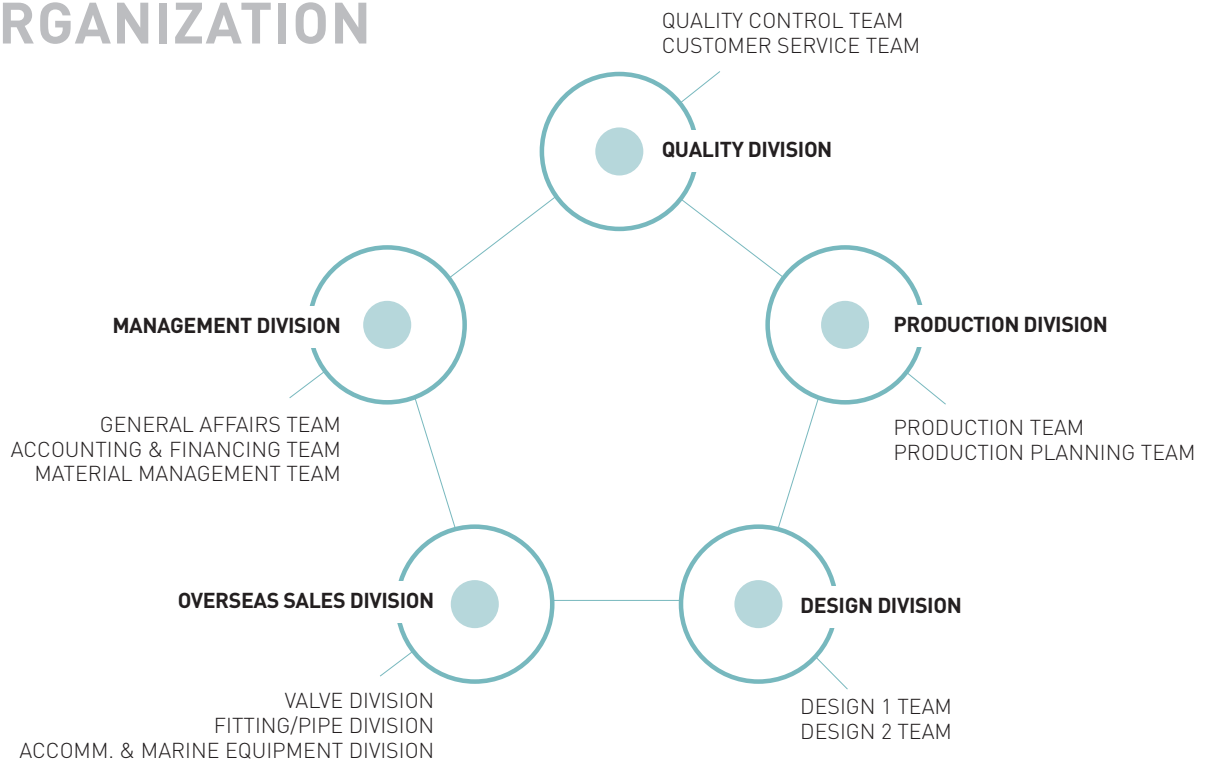
#498-67, DAEJEON 1 DONG, GANGSEO-GU, BUSAN, KOREA

**SUN DESIGN CO., LTD**

#492-2, DAEWOO EDEN PLAZA, HADAN-2 DONG, SAHA-GU, BUSAN, KOREA



ORGANIZATION



# COMPANY HISTORY



2002

- FEB.2002** THE COMPANY WAS ESTABLISHED UNDER THE NAME OF "SUN VALVE CO.,LTD"
- MAR.2002** JOINED A MEMBERSHIP OF SHIPBUILDING EQUIPMENT BUSINESS.
- MAY.2002** REGISTERED AT THE MINISTRY OF TRADE AND INDUSTRY AND ENERGY AS MANUFACTURER & TRADING COMPANY.
- NOV.2002** GRANTED AS A MAKER BY KOREA SAFETY CORPORATION.

2003

- APR.2003** FOUNDED QUALITY CONTROL DIVISION COMMITTEE
- JUL.2003** CERTIFIED AS A MEMBER OF KOREA INTERNATIONAL TRADE ASSOCIATION.
- SEP.2003** REGISTERED AS A BUSINESS PARTNER TO MUHIBBAH MARINE ENGINEERING SDN BHD.(MALAYSIA)

2004

- JAN.2004** JOINED A MEMBERSHIP OF KOREA MACHINERY INDUSTRY ASSOCIATION.
- AUG.2004** REGISTERED AS A BUSINESS PARTNER TO SEMBAWANG SHIPYARD PTE LTD (SSPL), (SINGAPORE)
- SEP.2004** REGISTERED AS A BUSINESS PARTNER TO JURONG SHIPYARD PTE LTD. (SINGAPORE)

2005

- FEB.2005** APPROVED AS OF SUPPLIER FOR WATER & FIRE POWER PLANT EQUIPMENT FROM KHI. (R.O.KOREA)
- MAR.2005** REGISTERED AS A BUSINESS PARTNER TO UNITHAI SHIPYARD & ENGINEERING LTD. (THAILAND)
- APR.2005** RENAMED THE COMPANY NAME INTO "SUN INTERNATIONAL CO.,LTD"
- MAY.2005** REGISTERED AS A BUSINESS PARTNER TO DUBAI DRYDOCKS WORLD. (UAE)
- AUG.2005** CERTIFIED THE CLEAN COMPANY BY THE MINISTER OF LABOR.
- NOV.2005** REGISTERED AS A BUSINESS PARTNER TO ZAMIL OPERATION & MAINTENANCE CO.,LTD (FOR SHIPBUILDING) (SAUDI ARABIA)
- DEC.2005** CONFORMATION CERTIFICATE OF VENTURE COMPANY.

2006

- JAN.2006** REGISTERED AS A BUSINESS PARTNER TO PT PAL INDONESIA (INDONESIA)
- MAR.2006** REGISTERED AS A BUSINESS PARTNER TO BOUSTEAD PENANG SHIPYARD SDN BHD. (MALAYSIA)
- MAY.2006** REGISTERED AS A BUSINESS PARTNER TO COLOMBO DOCKYARD LTD. (SRI LANKA)
- MAY.2006** REGISTERED AS A BUSINESS PARTNER TO KEPPEL SINGMARINE PTE LTD. (SINGAPORE)
- AUG.2006** SELECTED AS A LEADING EXPORTER BY OFFICE OF KOREA INDUSTRIAL PROMOTION.
- DEC.2006** INTRODUCED ERP (ENTERPRISE RESOURCE PLANNING) SYSTEM.

2007

- FEB.2007** REGISTERED AS A BUSINESS PARTNER TO BHARATI SHIPYARD LTD. (INDIA)
- MAY.2007** REGISTERED AS A BUSINESS PARTNER TO SAIGON SHIPYARD IND. (VIETNAM)
- JULY.2007** REGISTERED AS A BUSINESS PARTNER TO COCHIN SHIPYARD LTD. (INDIA)
- AUG.2007** REGISTERED AS A BUSINESS PARTNER TO PT DOK & PERKAPALAN KODJA BAHARI (PERSERO) (INDONESIA)
- OCT.2007** REGISTERED AS A BUSINESS PARTNER TO SPF (STAINLESS PIPE & FITTINGS). (AUSTRALIA)
- NOV.2007** REGISTERED AS A BUSINESS PARTNER TO TUONG AIK SHIPYARD SDN BHD. (MALAYSIA)
- NOV.2007** MOVED AND EXPANDED OUR HEADQUARTER : 492-2, DAEWOO EDEN PLAZA, SAHA-GU, BUSAN, KOREA
- DEC.2007** MADE BUSINESS RELATIONSHIP TO ABG SHIPYARD LTD. (INDIA)

## 2008

- JAN.2008** OPENED WAREHOUSE AT DAEJEO 1 DONG, GANGSEOGU, PUSAN, KOREA  
REGISTERED AS A BUSINESS PARTNER TO ASIAN MARINE SERVICES PUBLIC COMPANY LIMITED. (THAILAND)
- MAR.2008** REGISTERED AS A BUSINESS PARTNER TO KLINGER DANMARK (DANMARK)
- APR.2008** REGISTERED AS A BUSINESS PARTNER TO CHOWGULE AND COMPANY PVT.LTD. (INDIA)  
REGISTERED AS A BUSINESS PARTNER TO TO PT. BATAMEC (INDONESIA)
- MAY.2008** REGISTERED AS A BUSINESS PARTNER TO ITALTHAI MARINE LTD. (THAILAND)
- AUG.2008** REGISTERED AS A BUSINESS PARTNER TO NGV TECH SDN BHD.  
REGISTERED CORPORATION COMPANY AS "SUN KOREA CO.,LTD"
- SEP.2008** OPENED 2ND WAREHOUSE IN 3686-7, DAEJEO 1 DONG, GANGSEOGU, PUSAN, KOREA
- NOV.2008** MADE NEW FACTORY AT NOKSAN INDUSTRIAL COMPLEX IN BUSAN.

## 2009

- APR.2009** REGISTERED AS A BUSINESS PARTNER TO ITS (STI INDUSTRIAL TECHNICAL SUPPLIES BV) (NETHERLANDS)
- AUG.2009** START BUSINESS COOPERATION FOR OVERSEAS MARKETING WITH "EUN KWANG INOTECH CO.,LTD"
- MAY.2009** REGISTERED AS A BUSINESS PARTNER TO MARINE TRADE (CROATIA)
- JULY.2009** OBTAINED THE CLEAN FACTORY FROM THE BUSAN REGIONAL MINISTRY OF KOREA.
- SEP.2009** REGISTERED AS A BUSINESS PARTNER TO PPL SHIPYARD PTE LTD (SINGAPORE)
- OCT.2009** REGISTERED AS A BUSINESS PARTNER TO DUBAI SHIPBUILDING & ENGINEERING L.L.C. (U.A.E.)
- DEC.2009** SELECTED AS A PROMISING MEDIUM ENTERPRISE BY INDUSTRIAL BANK OF KOREA.

## 2010

- APR.2010** REGISTERED AS A BUSINESS PARTNER TO EMAS OFFSHORE CONSTRUCTION & PRODUCTION (SINGAPORE)
- JUN.2010** REGISTERED AS A BUSINESS PARTNER TO TEBMA SHIPYARDS LTD (INDIA)
- AUG.2010** REGISTERED AS A BUSINESS PARTNER TO SHIN YANG SHIPYARD SDN.BHD. (MALAYSIA)  
REGISTERED AS A BUSINESS PARTNER TO PIASAU SLIPWAYS SDN.BHD. (MALAYSIA)

## 2011

- FEB.2011** REGISTERED AS A BUSINESS PARTNER TO TRIYARDS SSY (VIETNAM)  
REGISTERED AS A BUSINESS PARTNER TO TRIYARDS SOFEL (VIETNAM)
- OCT.2011** REGISTERED AS A BUSINESS PARTNER TO DUNG QUAT SHIPBUILDING INDUSTRY COMPANY LTD. (VIETNAM)
- DEC.2011** SELECTED AS A SUPERIORITY COMPANY BY KOREAN GOVERNMENT.

## 2012

- FEB.2012** REGISTERED AS A BUSINESS PARTNER TO TIMBLO DRYDOCKS PVT LTD. (INDIA)
- JUN.2012** REGISTERED AS A BUSINESS PARTNER TO DONG BAC SHIPYARD. (VIETNAM)
- DEC.2012** SELECTED AS A LEADING COMPANY IN TOTAL EXPORT VALUE BY KOREAN GOVERNMENT.

## 2013

- MAY.2013** REGISTERED AS A BUSINESS PARTNER TO SBM OFFSHORE (NETHERLAND)
- JUN.2013** REGISTERED AS A BUSINESS PARTNER TO KEPPEL FELS LIMITED. (SINGAPORE)
- OCT.2013** REGISTERED AS A BUSINESS PARTNER TO PETROVIETNAM MARINE SHIPYARD COMPANY. (VIETNAM)

## 2014

- MAY.2014** ESTABLISHED RESEARCH & DEVELOPMENT CENTER CERTIFIED.  
(KOREA INDUSTRIAL TECHNOLOGY ASSOCIATION.)
- SEP.2014** MADE OUR AFFILIATE COMPANY "SUN PRECISION CO.,LTD"  
#498-67, DAEJEO 1 DONG, GANGSEO-GU, BUSAN, KOREA
- NOV.2014** OPENED OUR NEW WAREHOUSE  
#498-66, DAEJEO 1 DONG, GANGSEO-GU, BUSAN, KOREA
- DEC.2014** SELECTED AS A PROMISING MEDIUM ENTERPRISE BY WOORI BANK IN KOREA.

## 2015

- JAN.2015** MOVED AND EXPANDED OUR HEADOFFICE AND FACTORY.  
#498-65, DAEJEO 1 DONG, GANGSEO-GU, BUSAN, KOREA



OUR PROMISE TO OUR CUSTOMERS

Based on respect for partnership with our relevant maker, **Sun Korea Co.,Ltd** will establish a creative and cooperative organizational culture and enhance the company's competitiveness.



# ***WE ALWAYS WITH YOU!***

Our philosophy is to always provide sincere and honest service to our customers. With our customer-oriented management, we hope to achieve greater customer satisfaction.

**CUSTOMER ORIENTED VALUE**

DEVELOP PRODUCTS AND SERVICES FOR CUSTOMER ORIENTED SATISFACTION



- TOP QUALITY PRODUCT
- CUSTOMER ORIENTED PRICES
- HIGH QUALITY SERVICES

**BUILD SPEEDY**

BASED ON THE SPEEDY MANAGEMENT, ENHANCE OUR COMPANY'S COMPETITIVENESS



- TIMELY
- EFFICIENCY
- RESPONSIBILITY

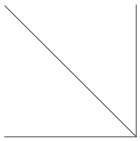
**HUMAN RESOURCE MANAGEMENT**

PROVIDE A FLEXIBLE AND CREATIVE COOPERATION CULTURE WITH OUR MANY RELEVANT MAKERS.



- FLEXIBLE
- CREATIVE
- COOPERATIVE

World, Stage of unlimited possibilities.



### **ON/OFFSHORE OIL & GAS**

SUN KOREA CO., Ltd takes a major role providing proper valves & fittings on satisfying the technical specification and quality standards of oil & gas production.



### **CHEMICAL & PETROCHEMICAL AREA**

SUN KOREA CO., Ltd takes a major role providing proper valves & fittings on satisfying the technical specification and quality standards of chemical & petrochemical.



### **SHIPBUILDING AREA**

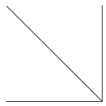
SUN KOREA CO., Ltd takes a major role providing proper valves & fittings on satisfying the technical specification and quality standards of shipbuilding.

Taking first priority for customer's satisfaction based on pursuing top quality, reasonable price, on time delivery with full of service.

Our dedication to progress is driven our enthusiasm.

- Quality of our products and services is a direct reflection of our continuous efforts and hard work.
- We will continue to take on new challenges and find new ways to improve our products and services.

# SUN'S OVERSEAS MARKET AREA



AUSTRALIA / CHINA / DENMARK / EGYPT /  
ENGLAND / GREECE / INDIA / INDONESIA / IRAN /  
ITALY / JAPAN / MALAYSIA / PAKISTAN / PHILIPPINES /  
ROMANIA / SAUDI ARABIA / SINGAPORE / SPAIN /  
SRI LANKA / SWITZERLAND / THAILAND / TURKEY /  
UAE / U.S.A / VIETNAM





# PRODUCT INTRODUCTION

## C O N T E N T S



SAFETY RELIEF VALVE • 12

PRESSURE REDUCING & REGULATING VALVE • 21

STEAM TRAP • 45

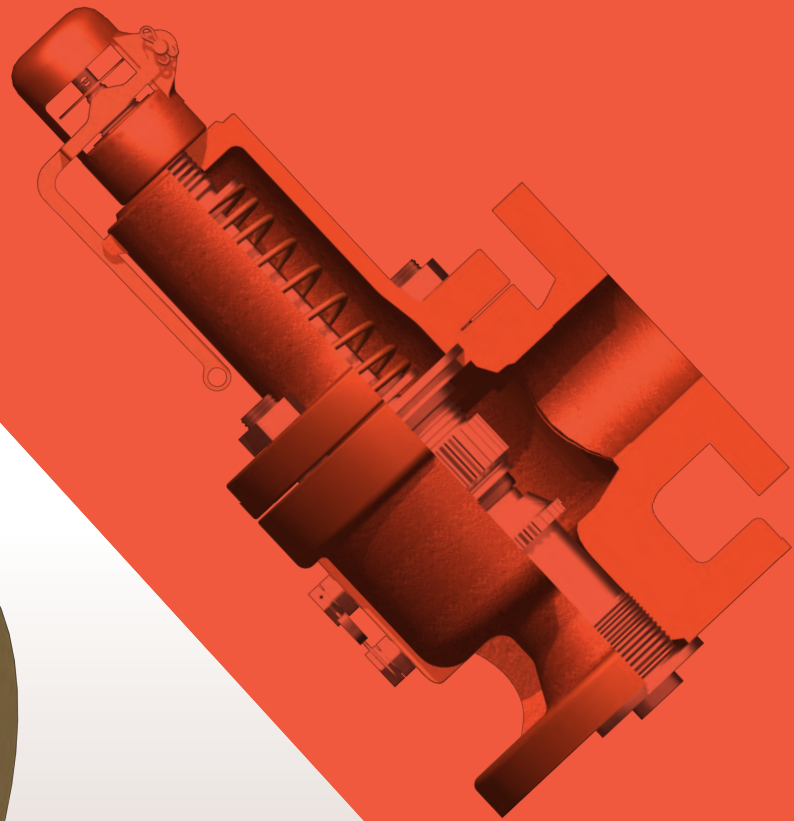
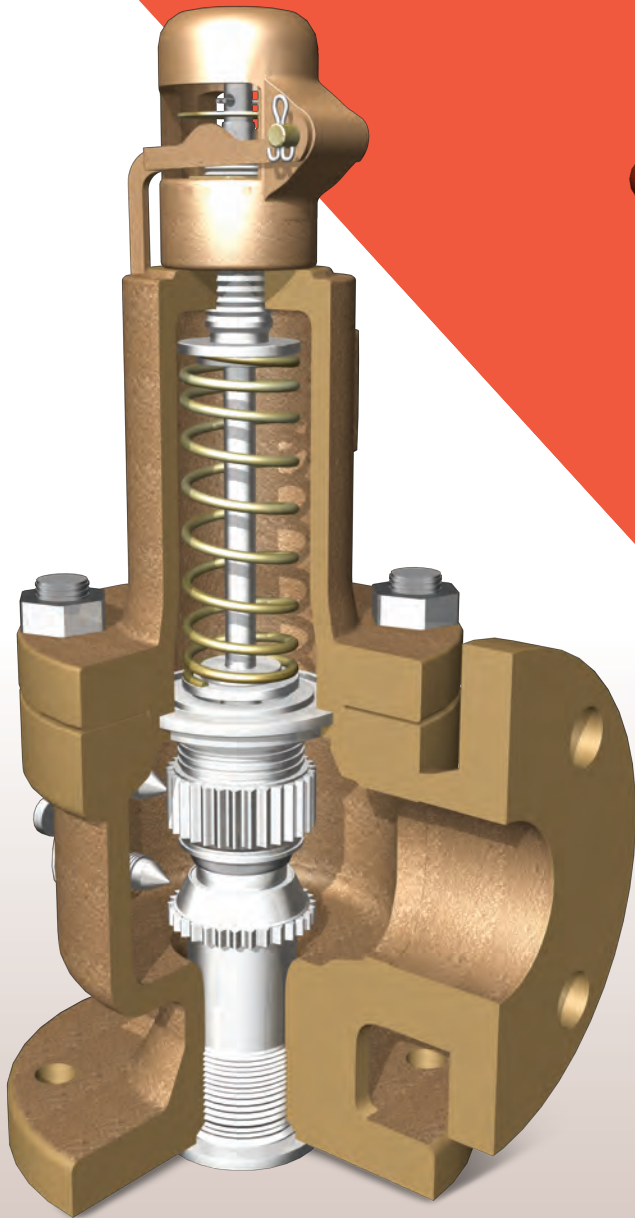
SIGHT GLASS • 69

OTHER VALVES • 80

TECHNICAL DATA • 96

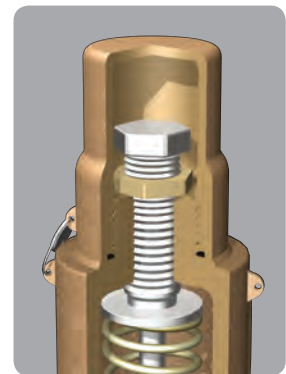
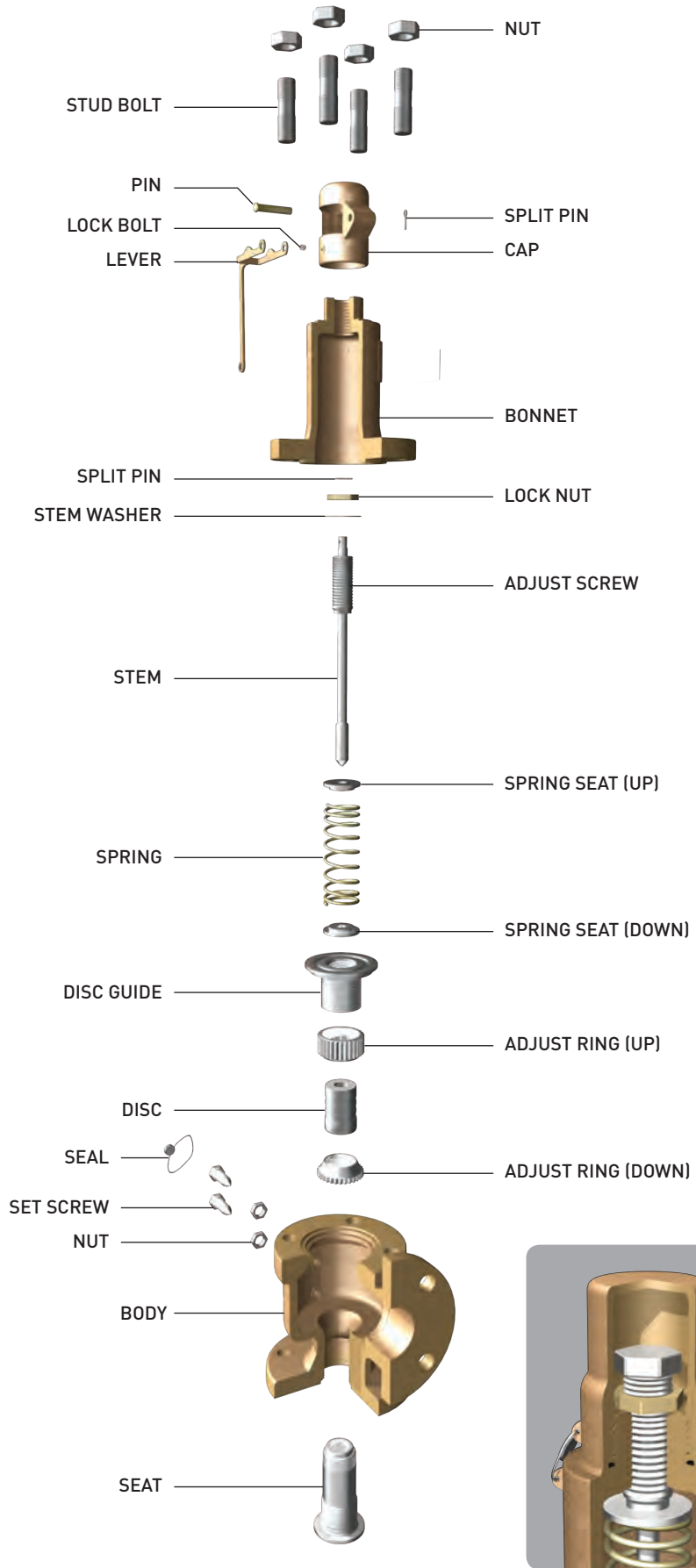
# SAFETY RELIEF VALVE + FULL BORE TYPE SAFETY VALVE

- PART LIST FOR FULL BORE TYPE SAFETY VALVE
- DIMENSION LIST FOR FULL BORE TYPE SAFETY VALVE



# FULL BORE TYPE SAFETY VALVE

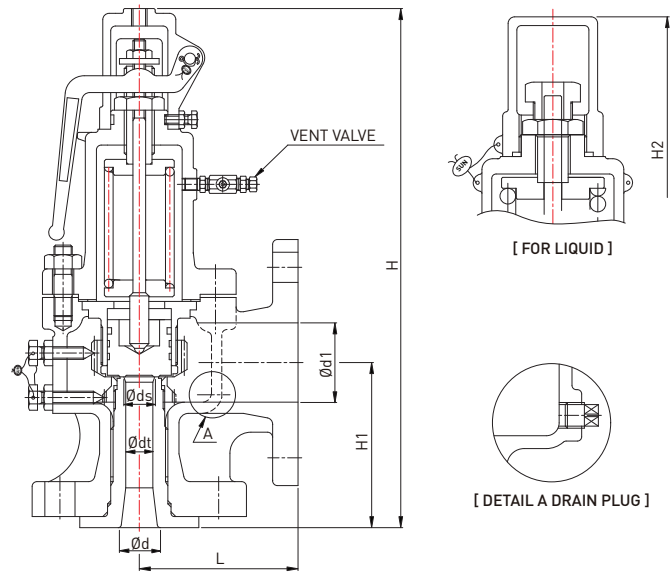
## PART LIST FOR FULL BORE TYPE SAFETY VALVE





## DIMENSION LIST

# FULL BORE TYPE SAFETY VALVE (MODEL : SPSF-1F/2F/3F)



## SPECIFICATION

Model		SPSF-1F		SPSF-2F		SPSF-3F	
Type		LEVER	NO LEVER	LEVER	NO LEVER	LEVER	NO LEVER
Working Fluid		Steam, Air	Water, Oil	Steam, Air	Water, Oil	Steam, Air	Water, Oil
Setting Pressure (kgf/cm <sup>2</sup> )		0.35 ~ 11		0.35 ~ 22		22 ~ 33	
Working Temperature		MAX. 220°C		MAX. 250°C		MAX. 250°C	
Material	Body	Ductile Cast Iron / Cast Steel / Cast Bronze		Cast Steel		Cast Steel	
	Trim	Stainless Steel		Stainless Steel		Stainless Steel	
Connection		JIS Flanged		JIS Flanged ANSI Flanged		JIS Flanged ANSI Flanged	

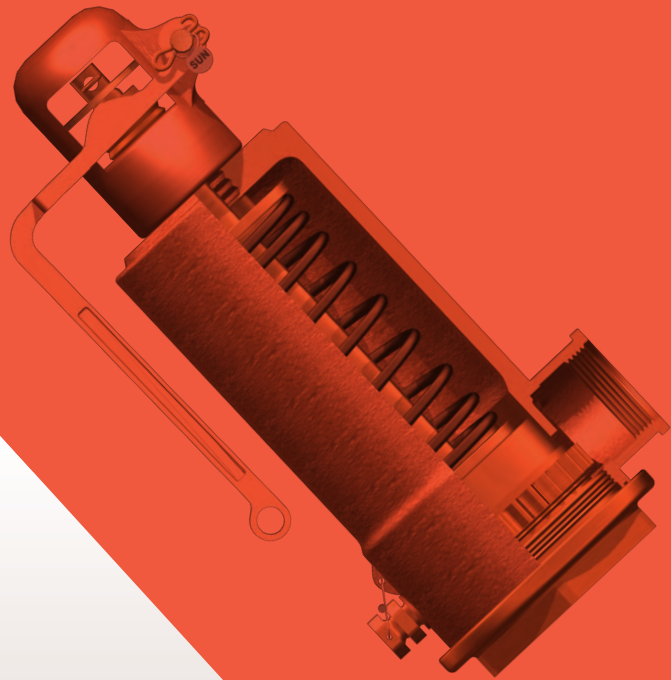
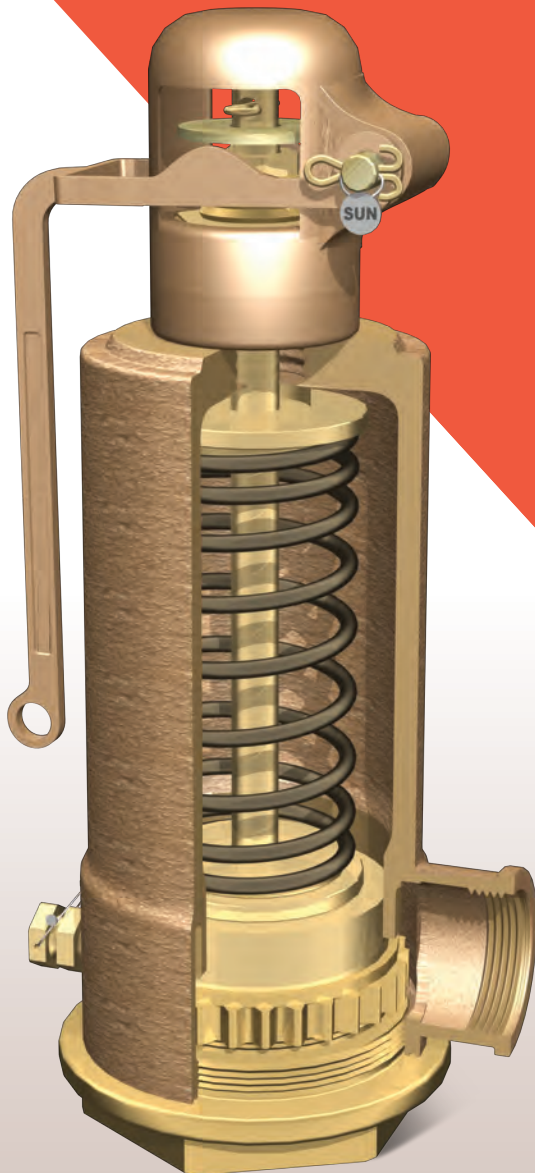
## DIMENSION

UNIT(mm)

SIZE Ød×Ød1	Ødt	Øds	L	H1	H	H2	INLET FLANGE (RF)	OUTLET FLANGE (FF)
15×25	11.5	14.5	95	85	282	280	1F : JIS 10K, JIS 16K, ANSI150#, PN10, PN16  2F : JIS 20K, ANSI 300#, PN25  3F : JIS 30K, PN40	1F : JIS 10K, JIS 16K, ANSI150#, PN10, PN16  2F : JIS 20K, ANSI 300#, PN25  3F : JIS 30K, PN40
20×25	15	17.5	95	85	282	280		
25×40	19	22	100	105	320	318		
25×50	19	22	100	105	320	318		
32×65	30	35	115	123	380	375		
40×50	30	35	115	123	380	375		
40×65	30	35	115	123	380	375		
50×80	38	44	128	130	476	450		
65×100	49	57	145	150	547	515		
80×100	49	57	145	150	547	515		
80×125	61	71	162	168	598	565		
100×150	76	88	190	197	725	713		
125×200	95	114	225	232	895	865		
150×200	115	133	225	230	953	918		
200×250	150	175	270	270	1084	1080		

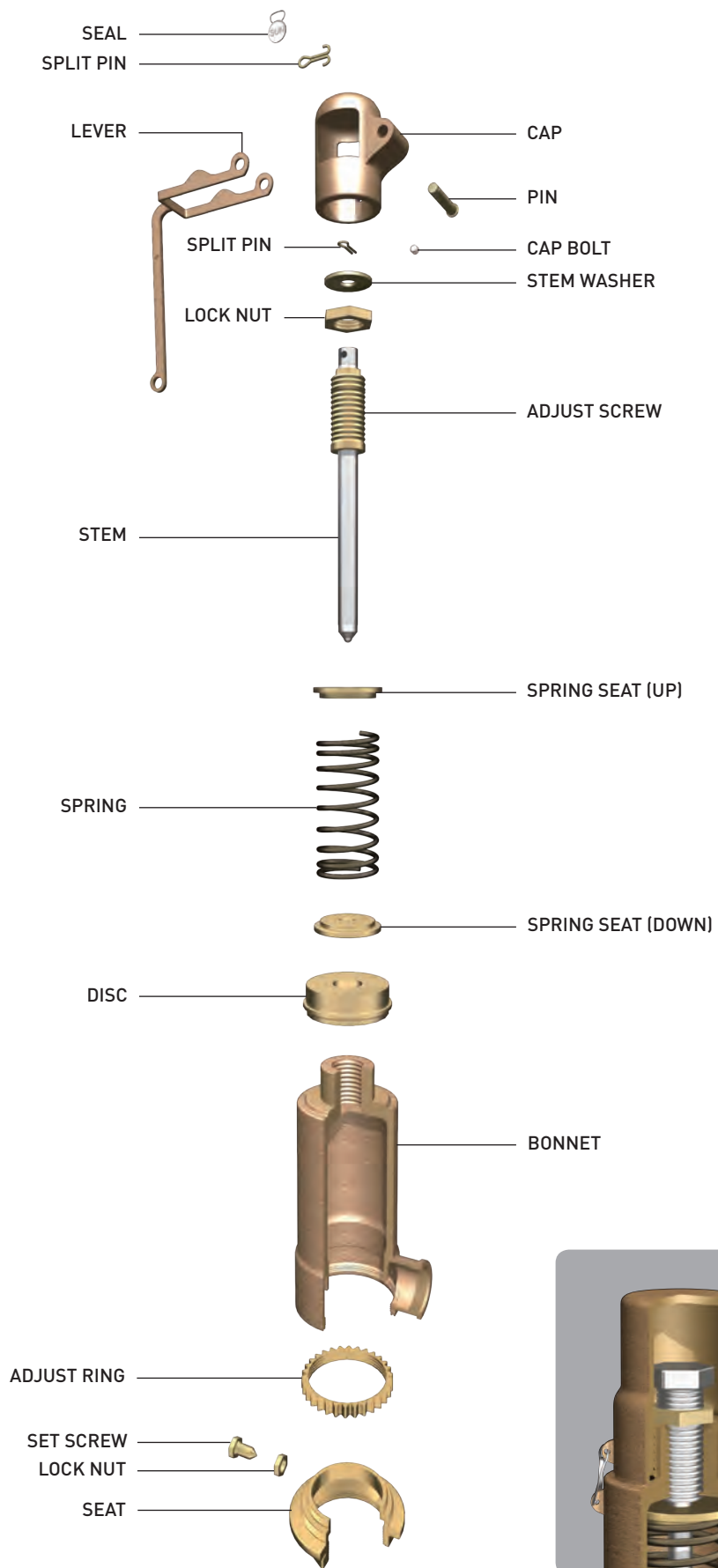
# SAFETY RELIEF VALVE LOW LIFT TYPE SAFETY VALVE

- PART LIST FOR LOW LIFT TYPE SAFETY VALVE
- DIMENSION LIST FOR LOW LIFT TYPE SAFETY VALVE



# LOW LIFT TYPE SAFETY VALVE

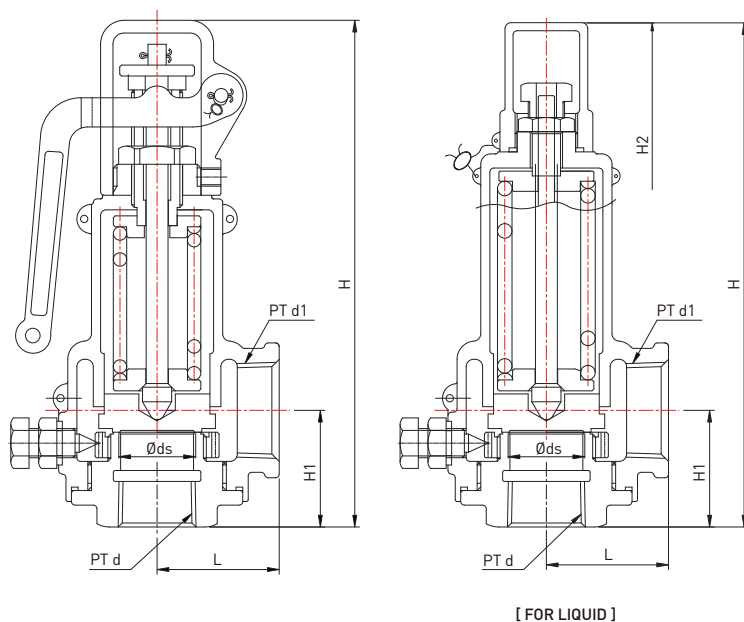
## PART LIST FOR LOW LIFT TYPE SAFETY VALVE





# DIMENSION LIST

## LOW LIFT TYPE SAFETY VALVE (MODEL : SPSL-1S)



### SPECIFICATION

Type	LEVER	NO LEVER
Working Fluid	Steam, Air	Water, Oil
Setting Pressure (kgf/cm <sup>2</sup> )	0.35 ~ 11	
Working Temperature	MAX. 220°C	
Material	Body & Bonnet	Cast Bronze
	Trim	Forged Brass
Connection	PT Screwed	

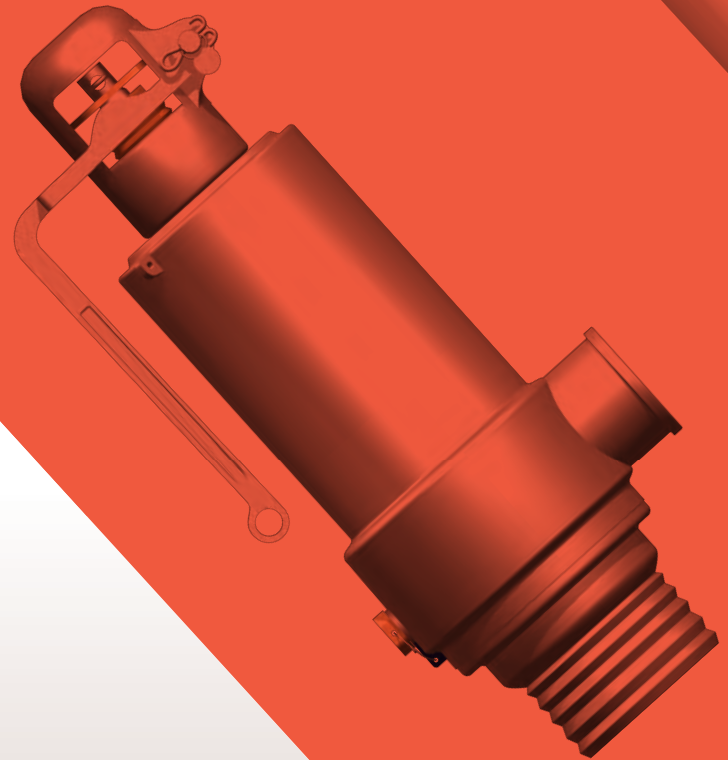
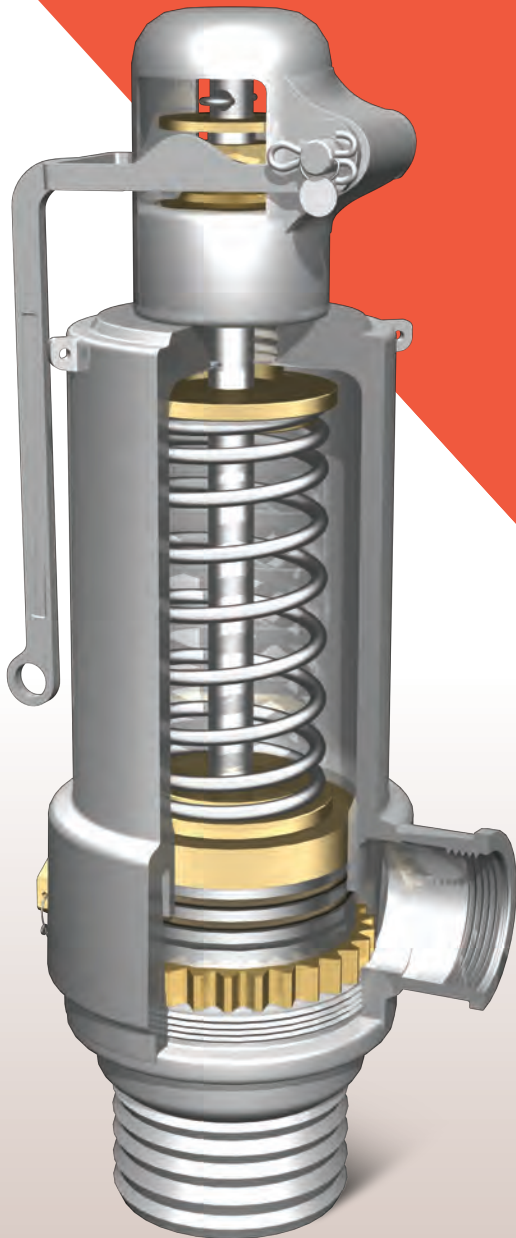
### DIMENSION

UNIT(mm)

SIZE	Øds	L	H1	H	H2	PT d	PT d1
15A	21.0	37.0	32	149	142	1/2"	3/4"
20A	21.0	37.0	32	149	142	3/4"	3/4"
25A	26.0	43.0	38	155	157	1"	1"
32A	33.0	45.0	49	177	170	1 1/4"	1 1/4"
40A	41.0	55.0	52	212	189	1 1/2"	1 1/2"
50A	51.0	65.0	62	232	206	2"	2"

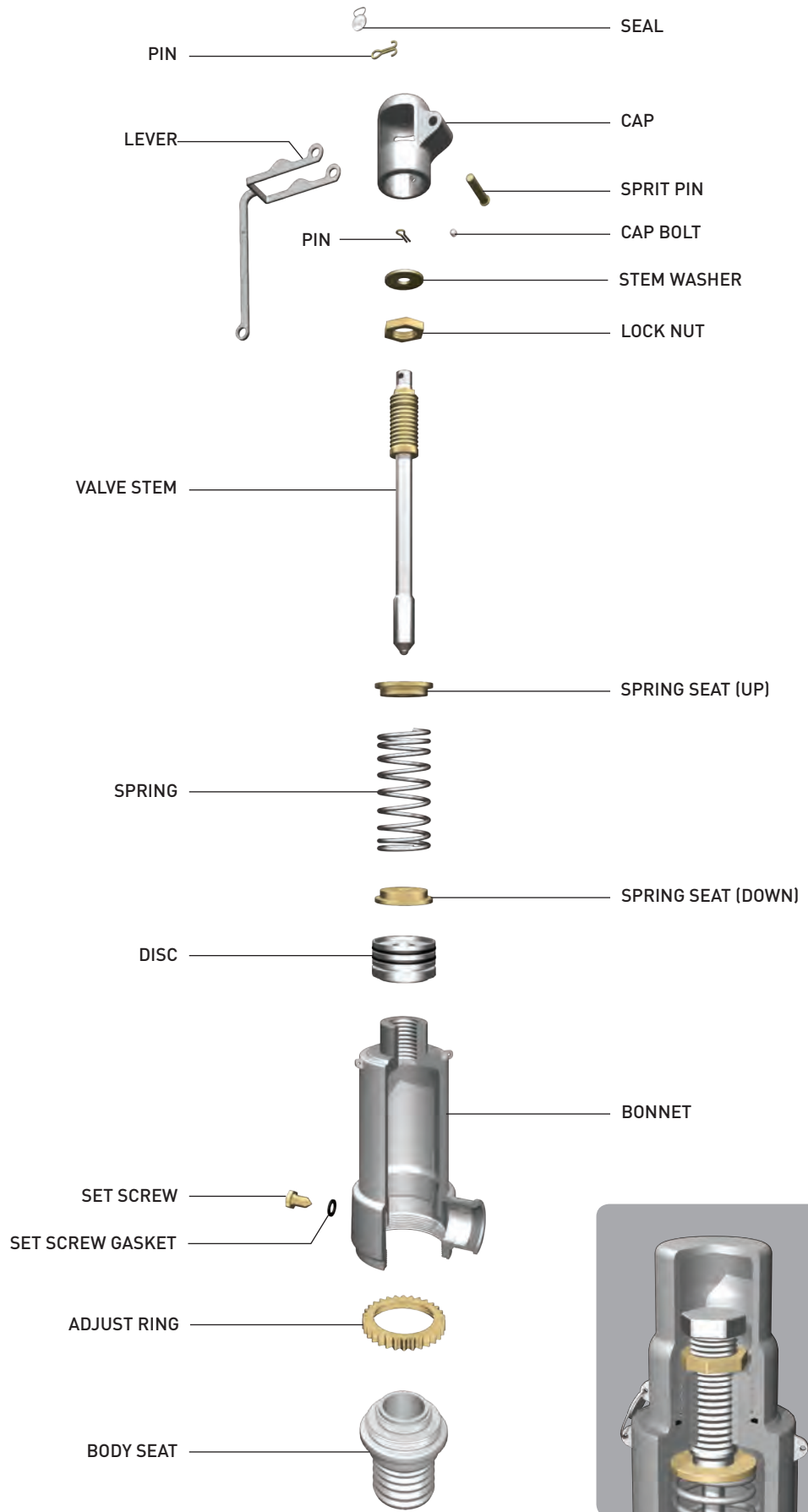
# SAFETY RELIEF VALVE HIGH LIFT TYPE SAFETY VALVE

- PART LIST FOR HIGH LIFT TYPE SAFETY VALVE
- DIMENSION LIST FOR HIGH LIFT TYPE SAFETY VALVE



# HIGH LIFT TYPE SAFETY VALVE

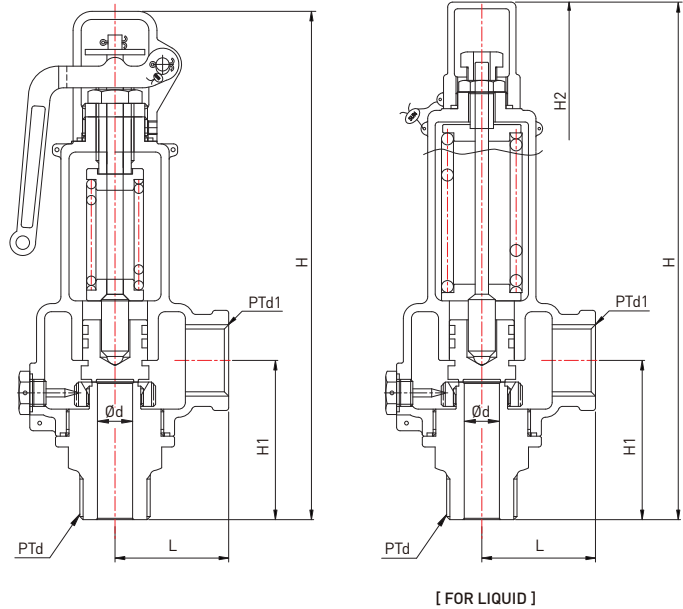
## PART LIST FOR HIGH LIFT TYPE SAFETY VALVE





## DIMENSION LIST

# HIGH LIFT TYPE SAFETY VALVE (MODEL : SPSH-3S)



## SPECIFICATION

Type	LEVER	NO LEVER
Working Fluid	Steam, Air	Water, Oil
Setting Pressure (kgf/cm <sup>2</sup> )	0.35 ~ 33	
Working Temperature	MAX. 220°C	
Material	Body	Stainless Steel
	Bonnet	Cast Bronze
	Trim	Stainless Steel
Connection	PT Screwed	

## DIMENSION

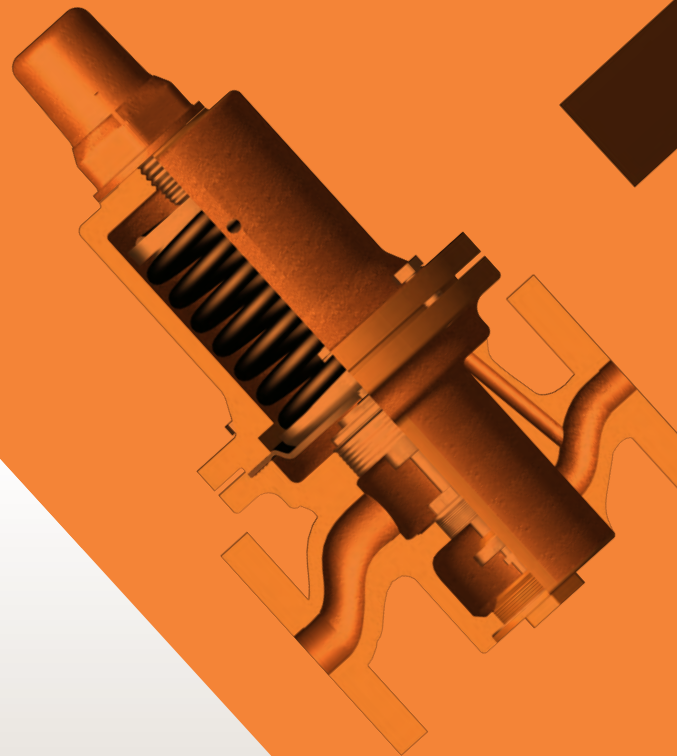
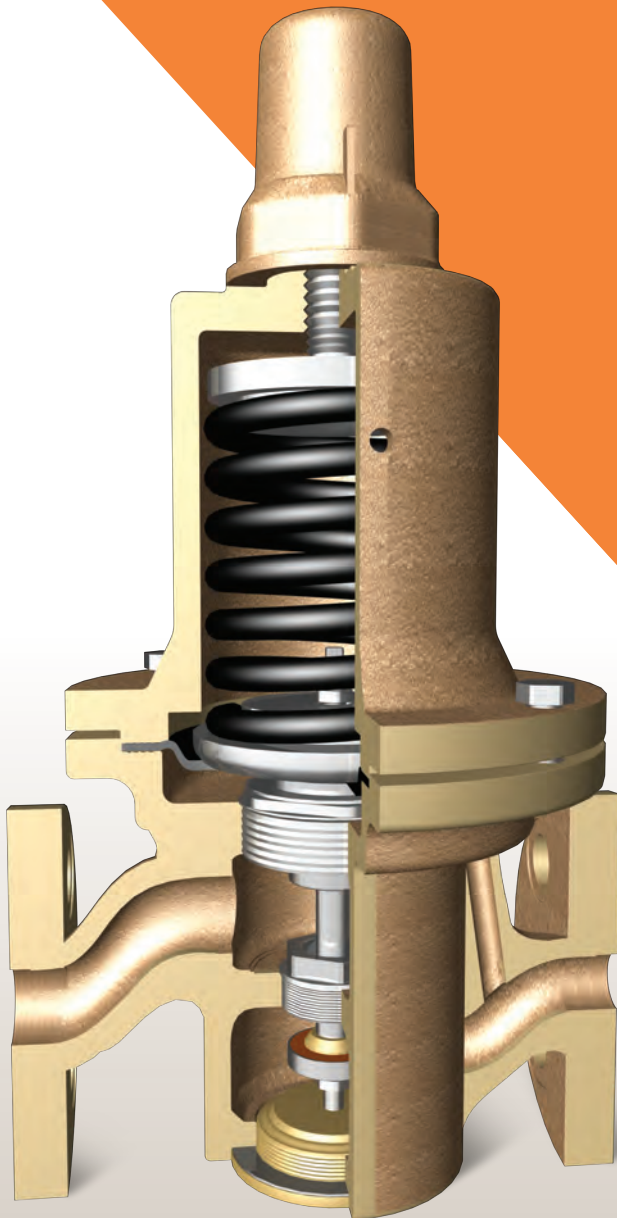
UNIT(mm)

SIZE	Ød	L	H1	H	PT d	PT d1
15A	13.0	42.0	62.0	191.0	1/2"	3/4"
20A	13.0	42.0	64.0	193.0	3/4"	3/4"
25A	18.0	44.0	70.0	211.0	1"	1"
32A	23.0	44.0	70.0	199.0	1 1/4"	1 1/4"
40A	26.0	55.0	76.0	227.0	1 1/2"	1 1/2"
50A	32.0	65.0	91.0	251.0	2"	2"

# PRESSURE REDUCING & REGULATING VALVE

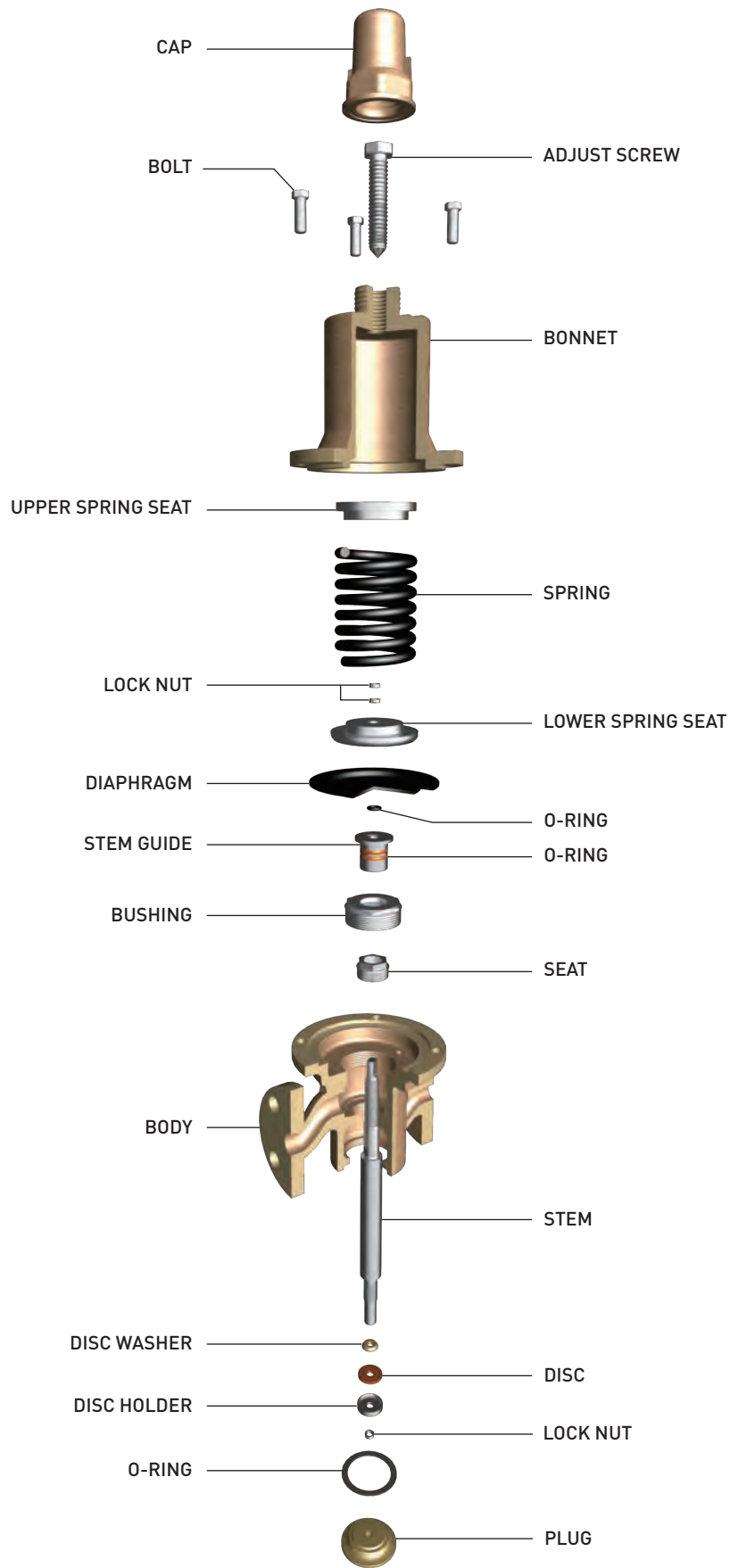
# PRESSURE REDUCING VALVE

- PART LIST FOR PRESSURE REDUCING VALVE
- DIMENSION LIST FOR PRESSURE REDUCING VALVE



# PRESSURE REDUCING VALVE

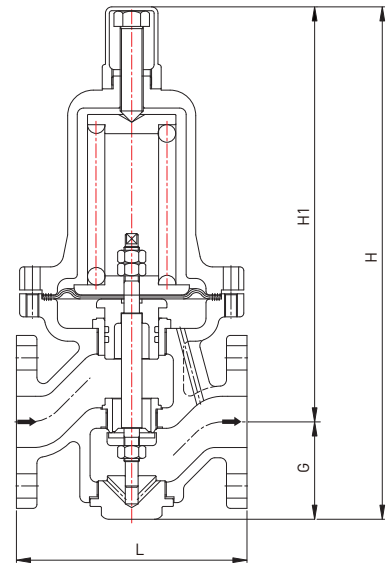
## PART LIST FOR PRESSURE REDUCING VALVE





# DIMENSION LIST

## PRESSURE REDUCING VALVE (MODEL : SPRD-1F)



PRESSURE REDUCING & REGULATING VALVE

### SPECIFICATION

Inlet Pressure (kgf/cm <sup>2</sup> )	10	
Outlet Pressure (kgf/cm <sup>2</sup> )	0.35 ~ 8	
Max Reducing Ratio	10 : 1	
Working Temperature	MAX. 80°C	
Working Fluid	Water, Air	
Connection	JIS 10K Flanged	
Material	Body	Ductile Cast Iron / Cast Steel / Cast Bronze
	Trim	Stainless Steel, Synthetic Rubber

### DIMENSION

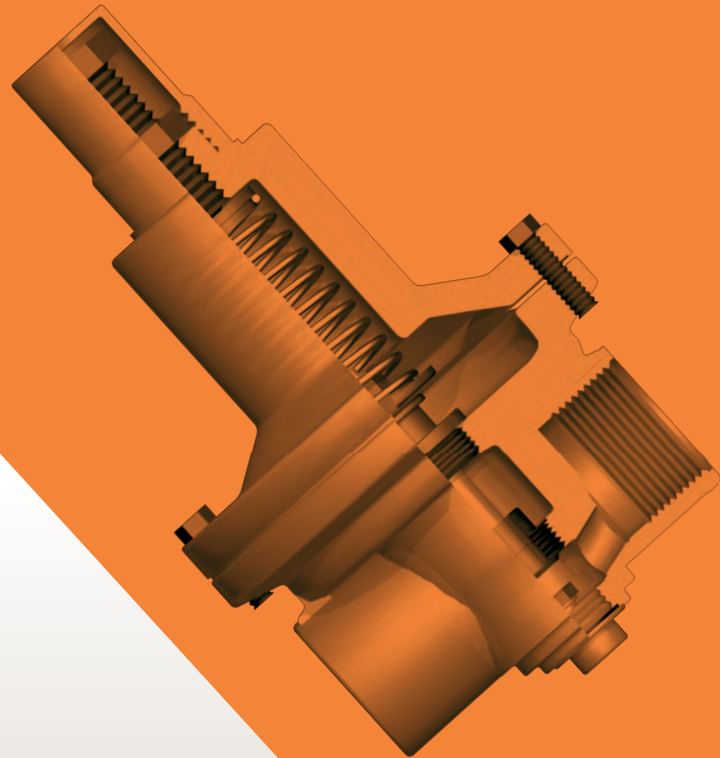
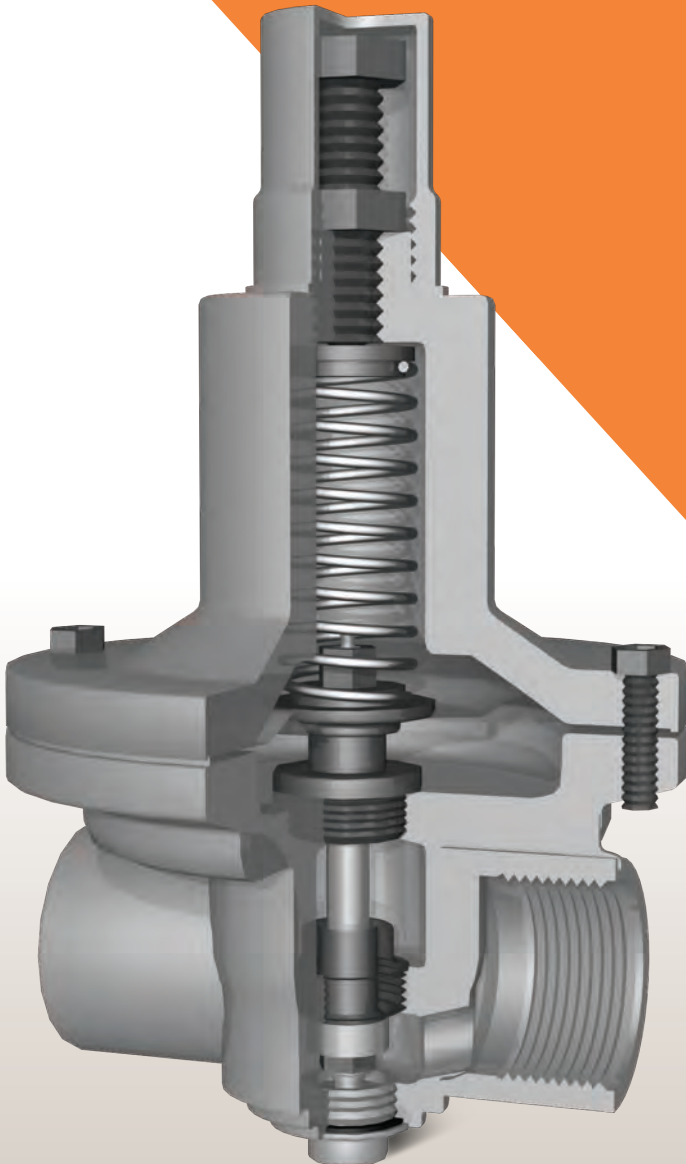
UNIT(mm)

SIZE	L	G	H	H1	CONNECTION
15A	160	62	317	255	JIS 10K, 16K, FF ANSI 150# PN 10B, PN16B
20A	160	62	317	255	
25A	160	62	328	266	
32A	180	70	405	335	
40A	180	70	405	335	
50A	190	75	420	345	
65A	230	100	505	405	
80A	250	100	520	420	

# PRESSURE REDUCING & REGULATING VALVE

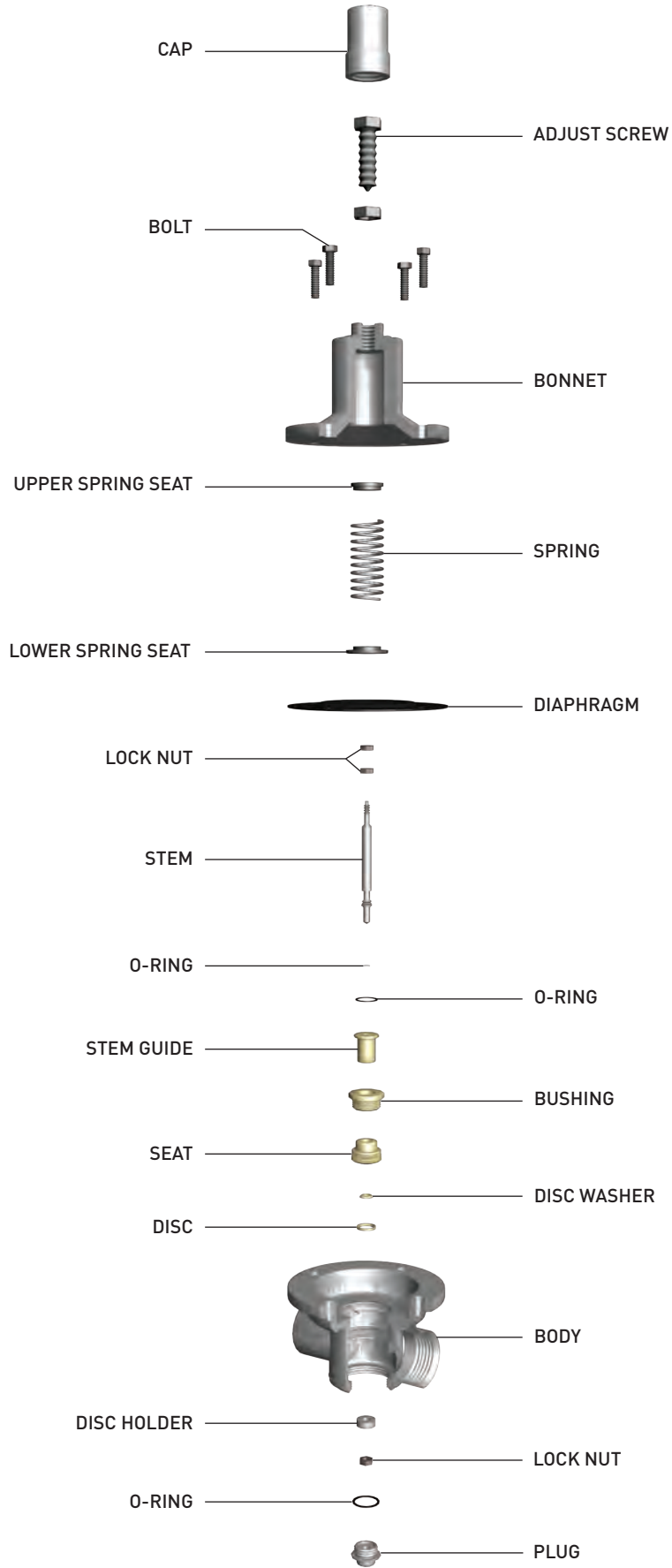
# PRESSURE REDUCING VALVE

- PART LIST FOR PRESSURE REDUCING VALVE
- DIMENSION LIST FOR PRESSURE REDUCING VALVE



# PRESSURE REDUCING VALVE

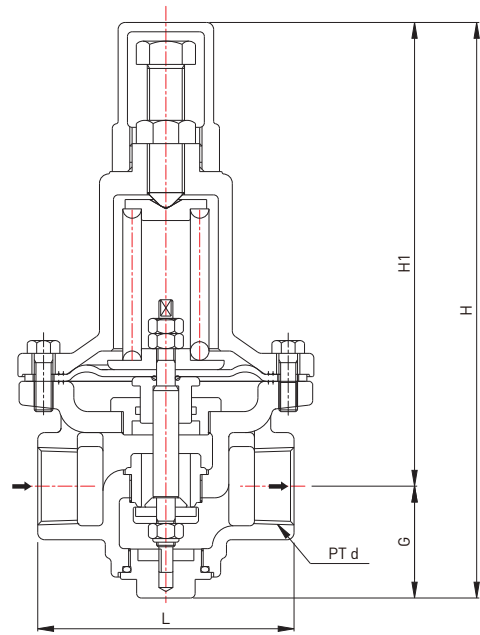
## PART LIST FOR PRESSURE REDUCING VALVE





# DIMENSION LIST

## PRESSURE REDUCING VALVE (MODEL : SPRD-1S)



### SPECIFICATION

Inlet Pressure (kgf/cm <sup>2</sup> )	10	
Outlet Pressure (kgf/cm <sup>2</sup> )	0.35 ~ 8	
Max Reducing Ratio	10 : 1	
Working Temperature	MAX. 80°C	
Working Fluid	Water, Air	
Connection	PT Screwed	
Material	Body	Ductile Cast Iron
	Trim	Bronze, Synthetic Rubber

### DIMENSION

UNIT(mm)

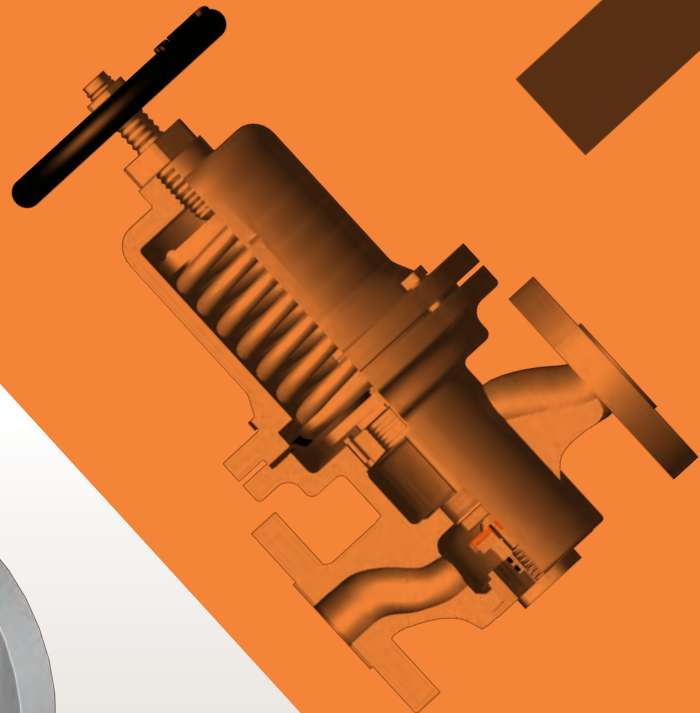
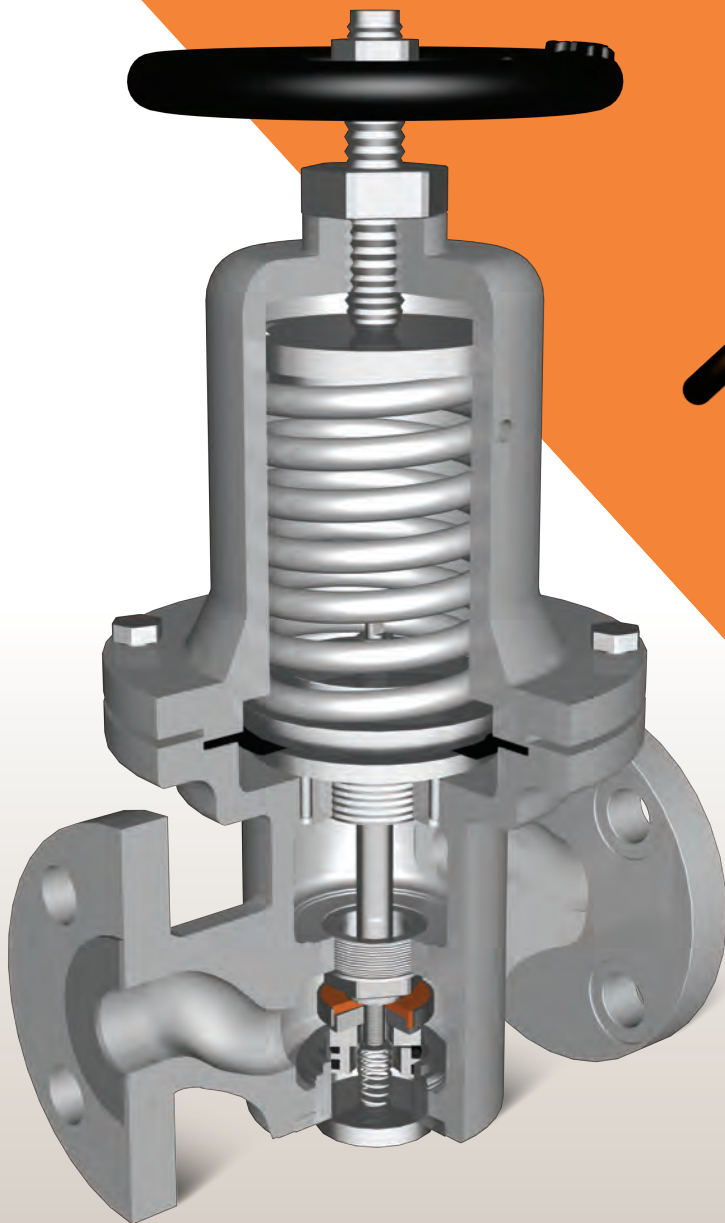
SIZE	L	G	H1	H	PT d
15A	100.0	47.0	175.0	222.0	PT ½"
20A	100.0	47.0	175.0	222.0	PT ¾"
25A	110.0	51.0	180.0	231.0	PT 1"
32A	150.0	70.0	210.0	290.0	PT 1½"
40A	160.0	70.0	210.0	290.0	PT 1½"

# PRESSURE REDUCING & REGULATING VALVE

# PRESSURE REDUCING VALVE

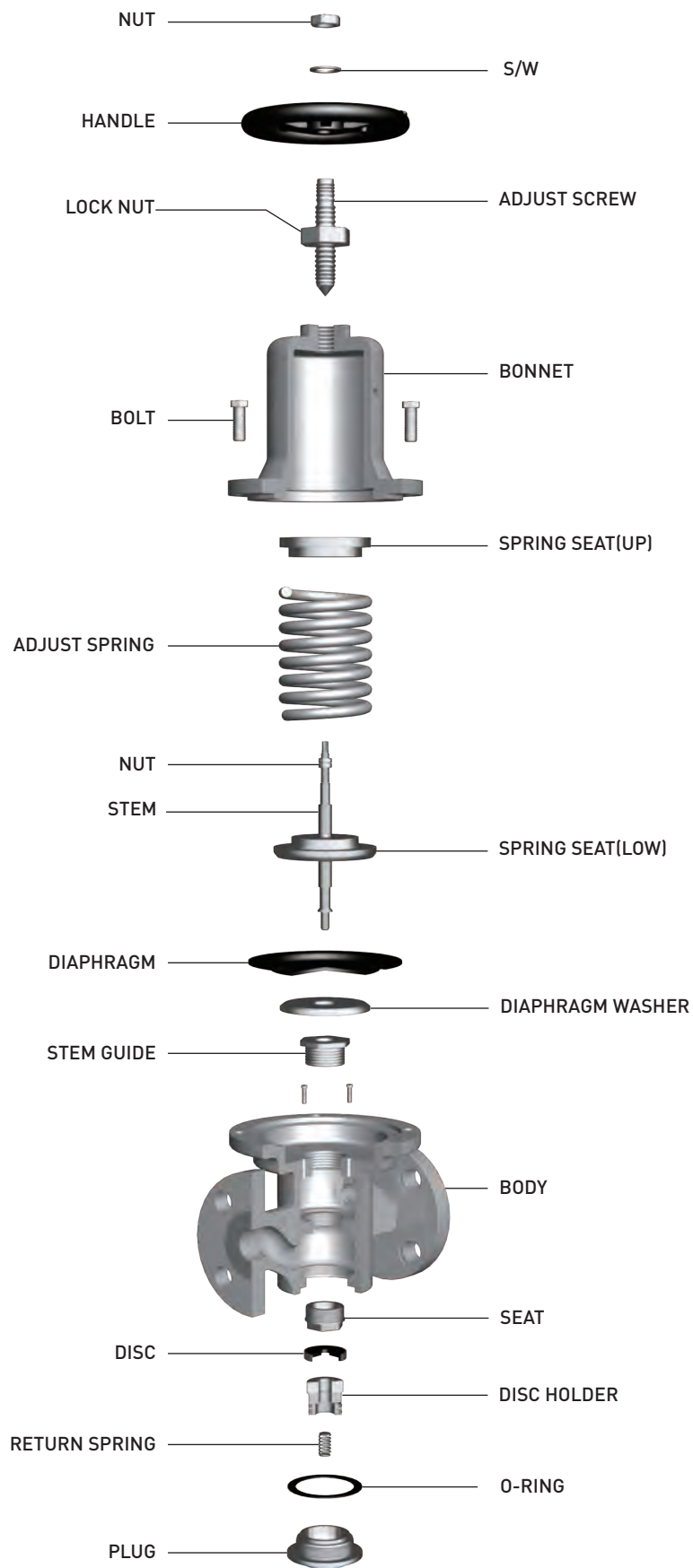
- PART LIST FOR PRESSURE REDUCING VALVE
- DIMENSION LIST FOR PRESSURE REDUCING VALVE

PRESSURE REDUCING & REGULATING VALVE



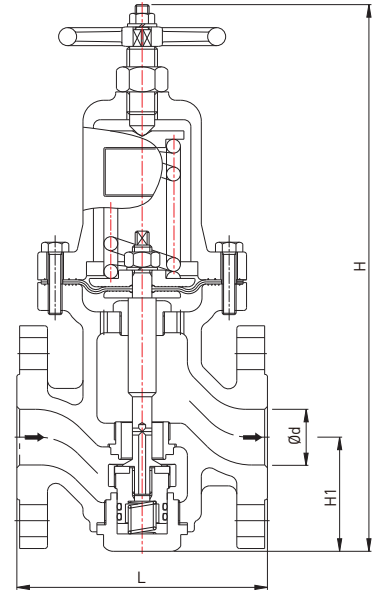
# PRESSURE REDUCING VALVE

## PART LIST FOR PRESSURE REDUCING VALVE



# DIMENSION LIST

## PRESSURE REDUCING VALVE (MODEL : SPRD-3F)



PRESSURE REDUCING & REGULATING VALVE

### SPECIFICATION

Inlet Pressure (kgf/cm <sup>2</sup> )	30	
Outlet Pressure (kgf/cm <sup>2</sup> )	0.35 ~ 10	
Max Reducing Ratio	10 : 1	
Working Temperature	MAX. 80°C	
Working Fluid	Air, Water	
Connection	JIS 30K Flanged	
Material	Body	Cast Steel / Cast Bronze / Stainless steel
	Trim	Stainless Steel, Synthetic Rubber

### DIMENSION

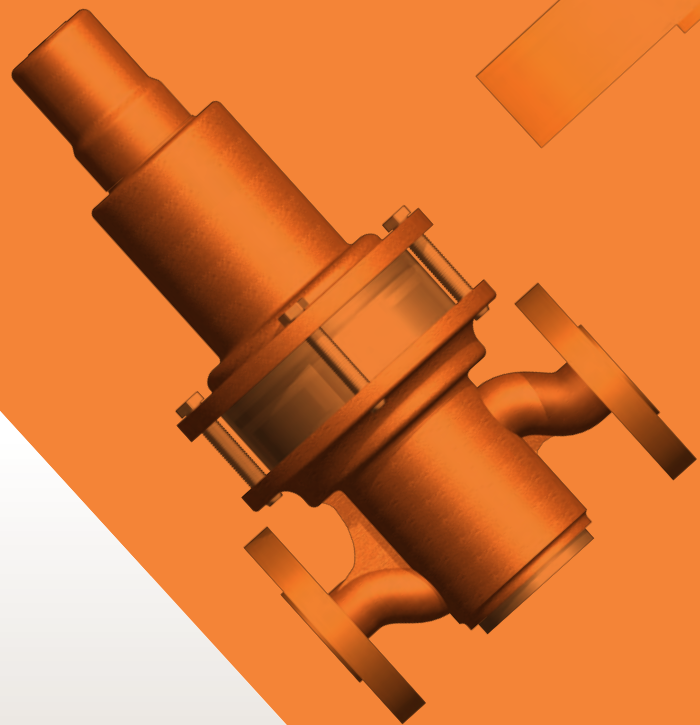
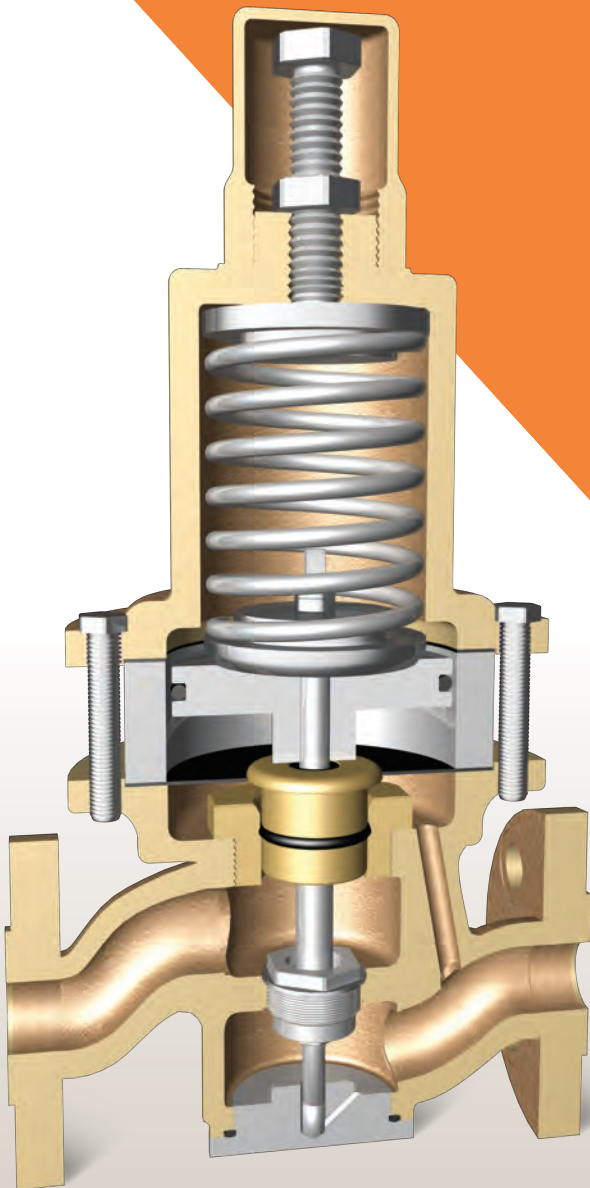
UNIT(mm)

SIZE	Ød	L	H1	H	CONNECTION
½	15	145	75	355	JIS 30K RF ANSI 300# RF
¾	20	145	75	355	
1	25	150	75	355	
1¼	32	180	87	400	
1½	40	180	82	400	
2	50	210	82	400	



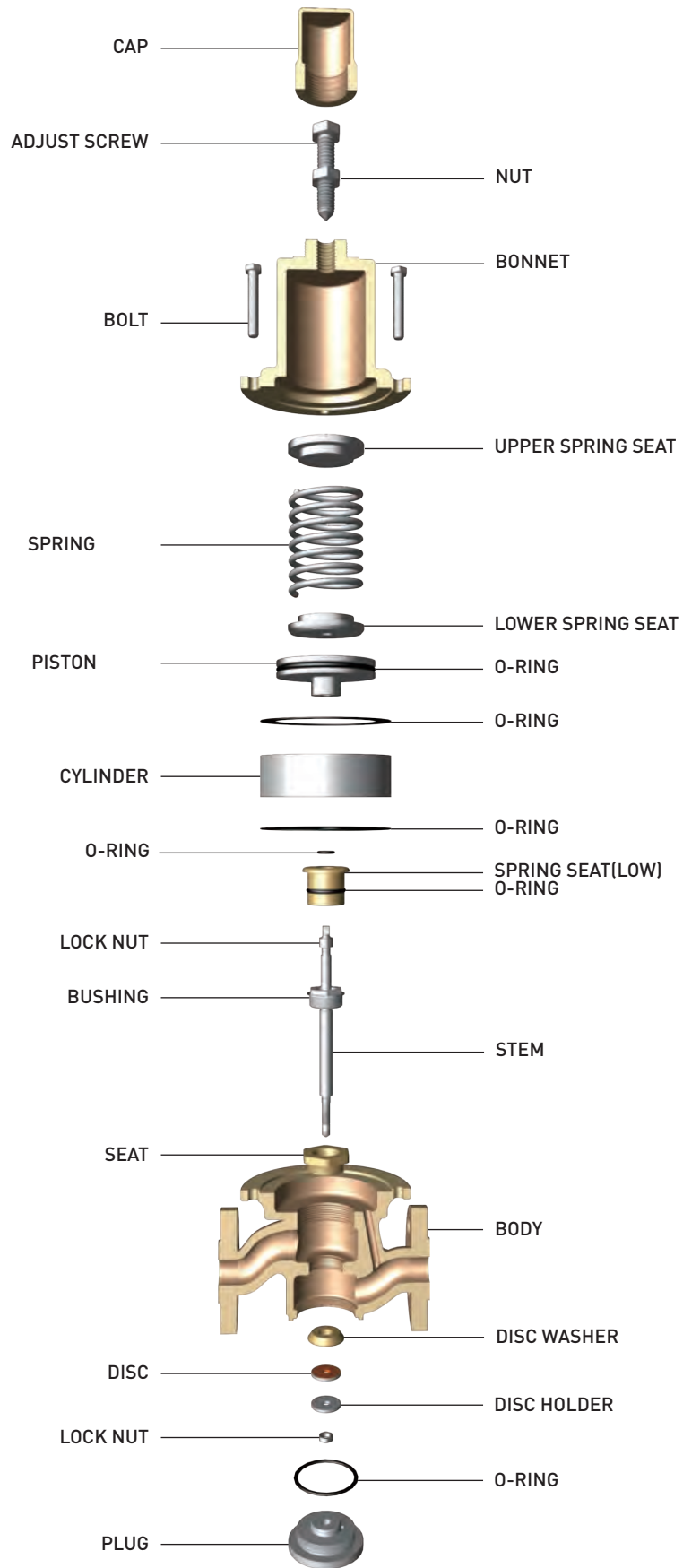
# PRESSURE REDUCING & REGULATING VALVE PRESSURE REDUCING VALVE

- PART LIST FOR PRESSURE REDUCING VALVE
- DIMENSION LIST FOR PRESSURE REDUCING VALVE



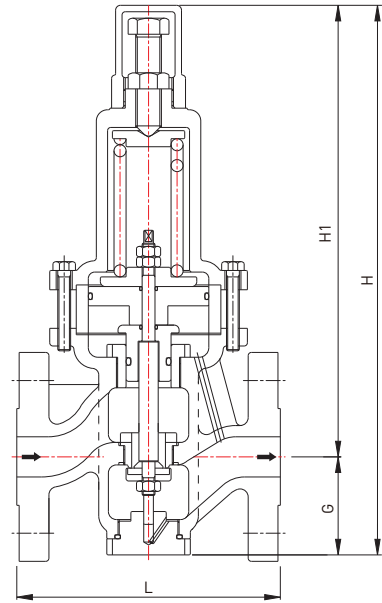
# PRESSURE REDUCING VALVE

## PART LIST FOR PRESSURE REDUCING VALVE



# DIMENSION LIST

## PRESSURE REDUCING VALVE (MODEL : SPRP-1F)



### SPECIFICATION

Working Fluid	Air, Liquid, Oil	
Working Temperature	MAX. 110°C	
Working Pressure (kgf/cm <sup>2</sup> )	10	
Setting Pressure Range (kgf/cm <sup>2</sup> )	0.5 ~ 8	
Hydrostatic Press Test	Working pressure × 1.5	
Material	Body	Ductile Cast Iron
	Trim	Stainless Steel / NBR

### DIMENSION

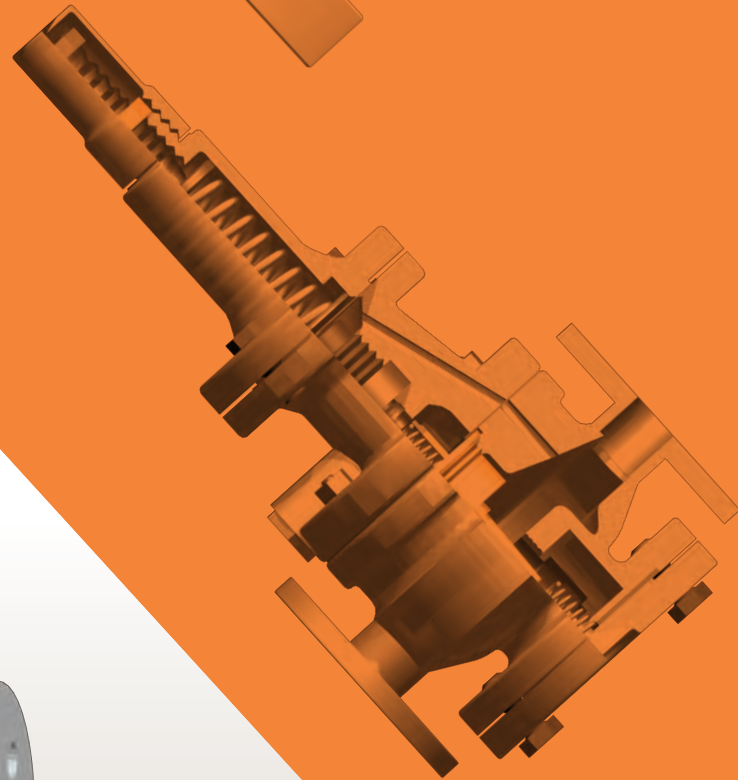
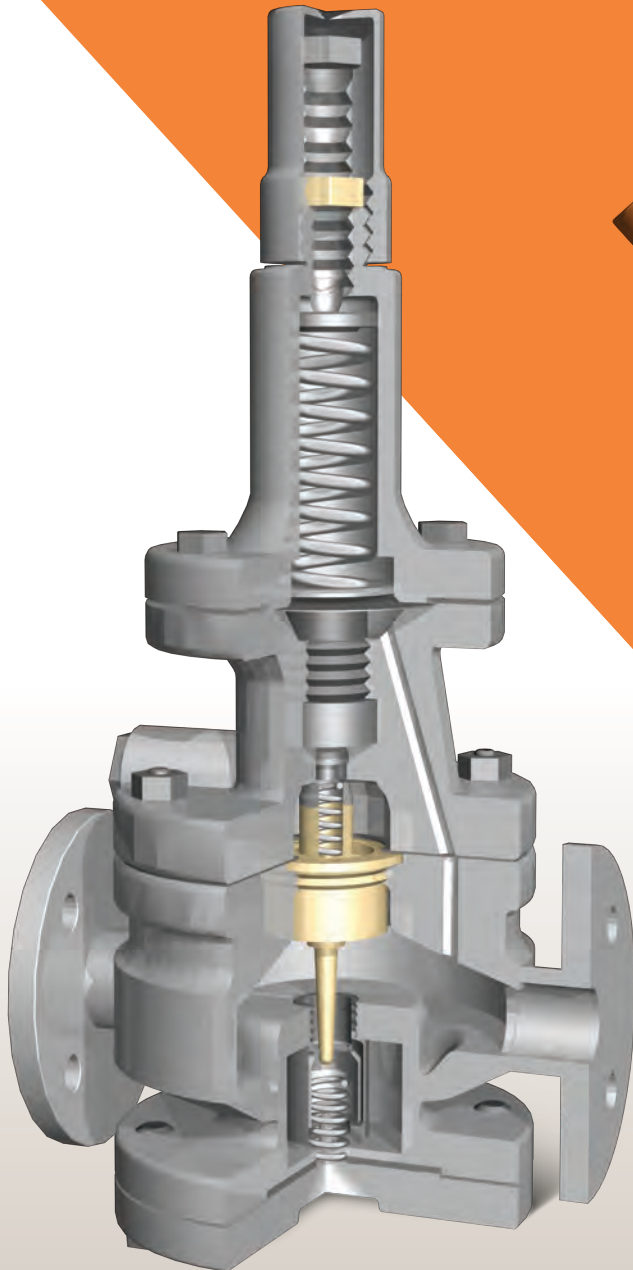
UNIT(mm)

SIZE	L	G	H	H1	CONNECTION
15A	160	62	317	255	FLANGE JIS B2220 10K
20A	160	62	317	255	
25A	160	62	328	266	
32A	180	70	405	335	
40A	180	70	405	335	
50A	190	75	420	345	
65A	230	100	505	405	
80A	250	100	520	420	

# PRESSURE REDUCING & REGULATING VALVE

# PRESSURE REDUCING VALVE

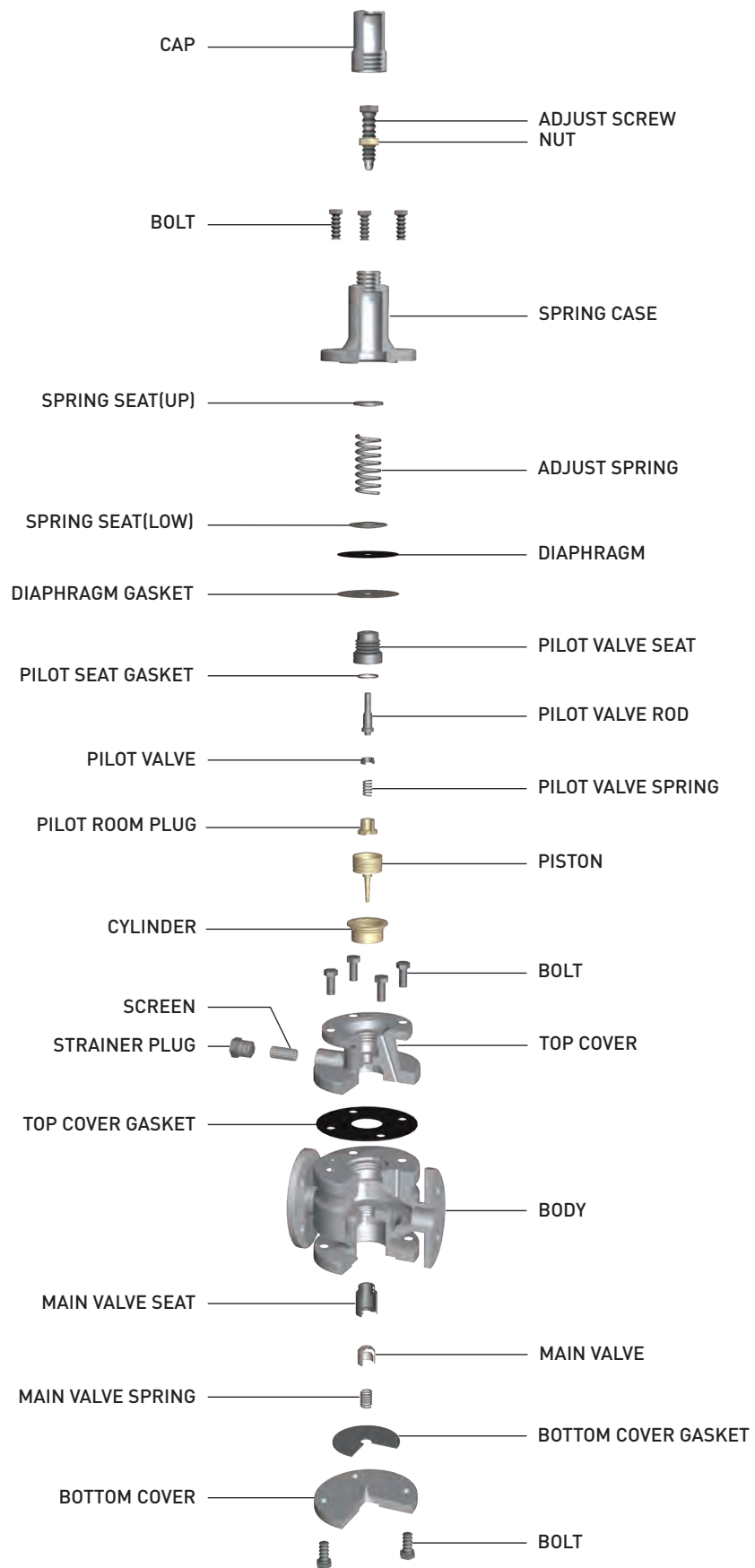
- PART LIST FOR PRESSURE REDUCING VALVE
- DIMENSION LIST FOR PRESSURE REDUCING VALVE





# PRESSURE REDUCING VALVE

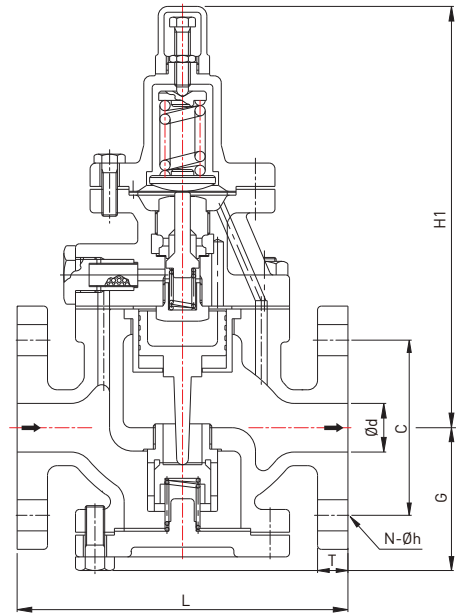
## PART LIST FOR PRESSURE REDUCING VALVE



## DIMENSION LIST

# PRESSURE REDUCING VALVE

(MODEL : SPRS-1F)



## SPECIFICATION

Inlet Pressure (kgf/cm <sup>2</sup> )	10	
Outlet Pressure (kgf/cm <sup>2</sup> )	0.35 ~ 8	
Max Reducing Ratio	10 : 1	
Working Temperature	MAX. 220°C	
Working Fluid	Steam	
Connection	JIS 10K Flanged	
Material	Body	Ductile Cast Iron / Cast Steel
	Trim	Stainless Steel

## DIMENSION

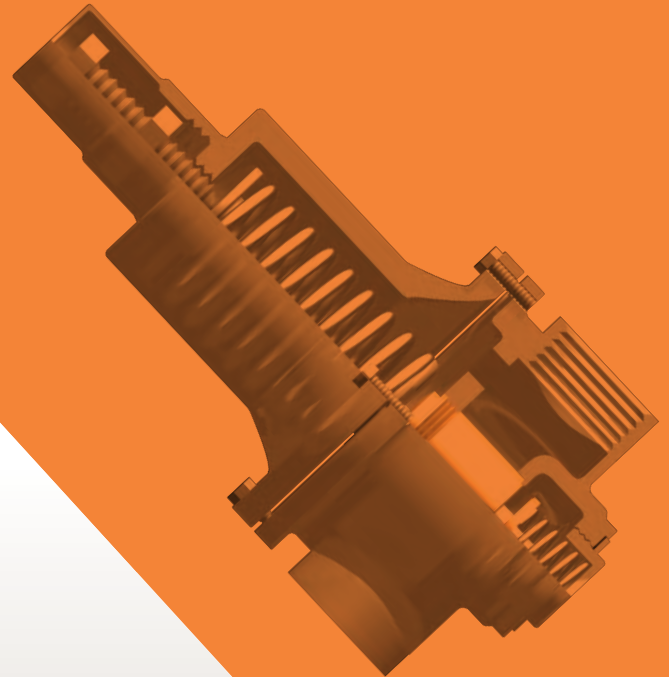
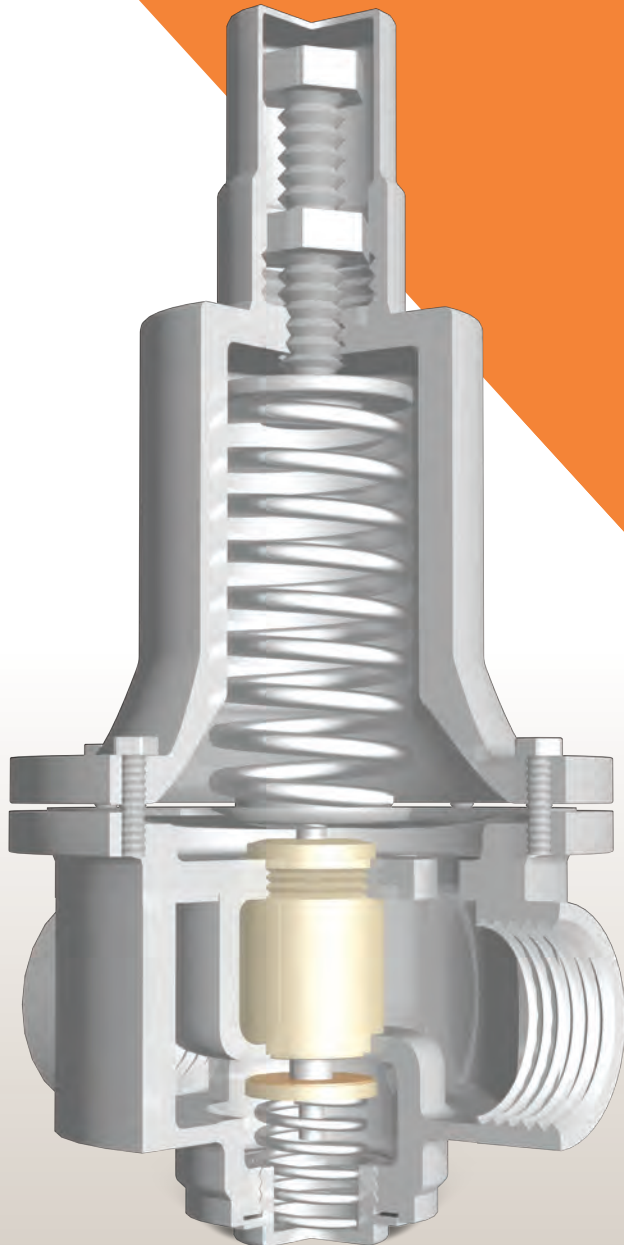
UNIT(mm)

SIZE	L	G	H1	INLET FLANGE JIS B 2220 10K FF (KS B1503)			
				Ød	C	T	N-Øh
15A	165	75	270	95	70	12	4-15
20A	165	75	270	100	75	14	4-15
25A	170	75	270	125	90	14	4-19
32A	200	85	275	135	100	16	4-19
40A	200	85	275	140	105	16	4-19
50A	220	95	283	155	120	16	4-19
65A	250	110	310	175	140	18	4-19
80A	290	130	350	185	150	18	8-19
100A	320	150	370	210	175	18	8-19

# PRESSURE REDUCING & REGULATING VALVE

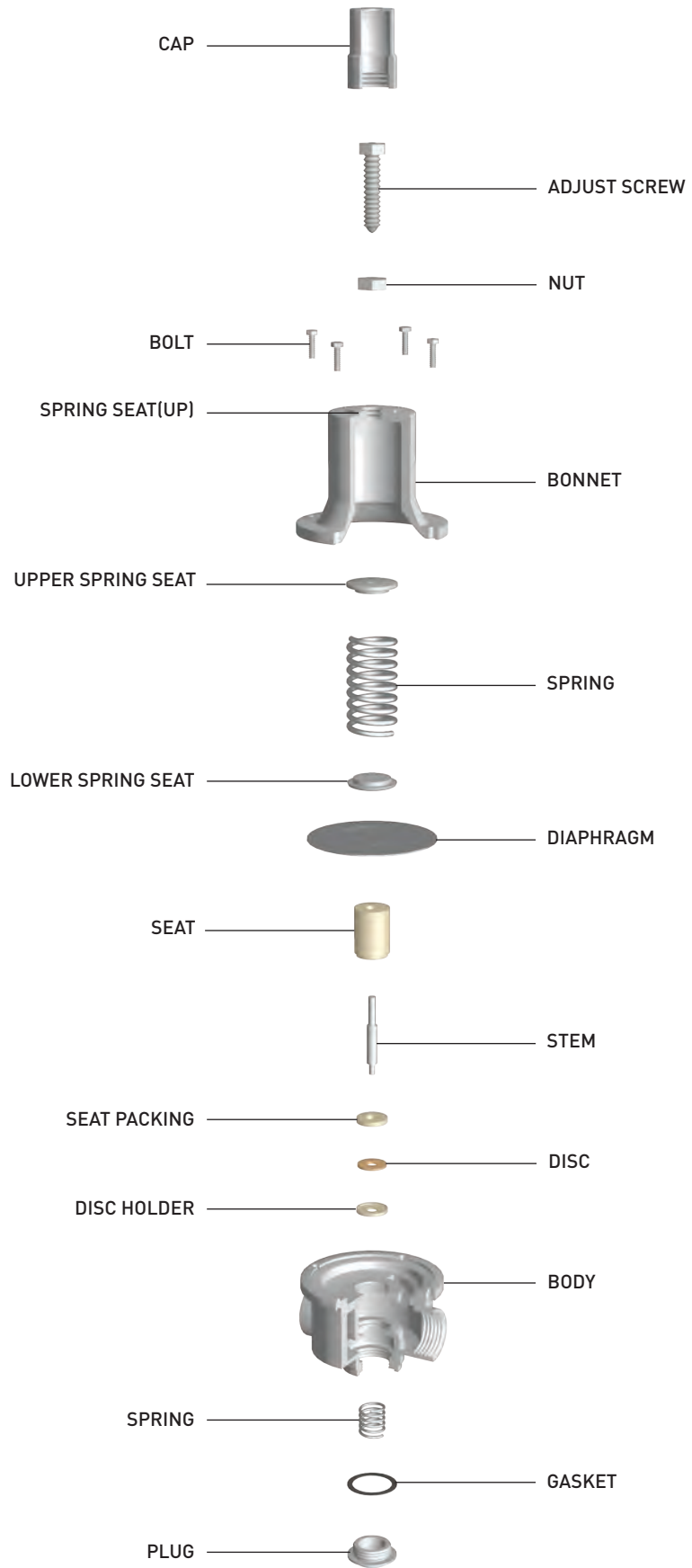
# PRESSURE REDUCING VALVE

- PART LIST FOR PRESSURE REDUCING VALVE
- DIMENSION LIST FOR PRESSURE REDUCING VALVE



# PRESSURE REDUCING VALVE

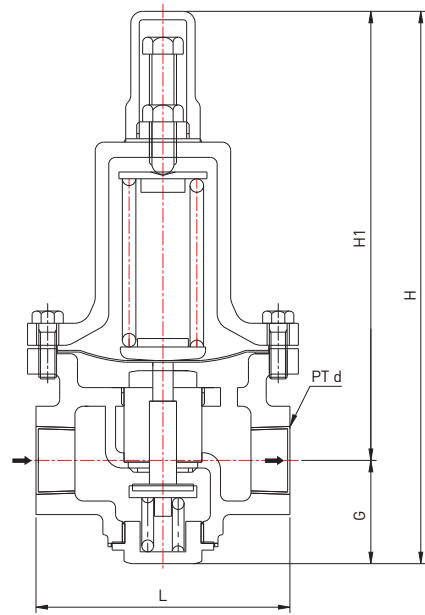
## PART LIST FOR PRESSURE REDUCING VALVE





# DIMENSION LIST

## PRESSURE REDUCING VALVE (MODEL : SPRS-1S)



### SPECIFICATION

Working Fluid	Liquid, Air	
Working Temperature	MAX. 80°C	
Working Pressure (kgf/cm <sup>2</sup> )	10	
Setting Pressure Range (kgf/cm <sup>2</sup> )	0.5 ~ 8	
Hydrostatic Press Test	Working pressure × 1.5	
Material	Body	Ductile Cast Iron
	Trim	Stainless Steel

### DIMENSION

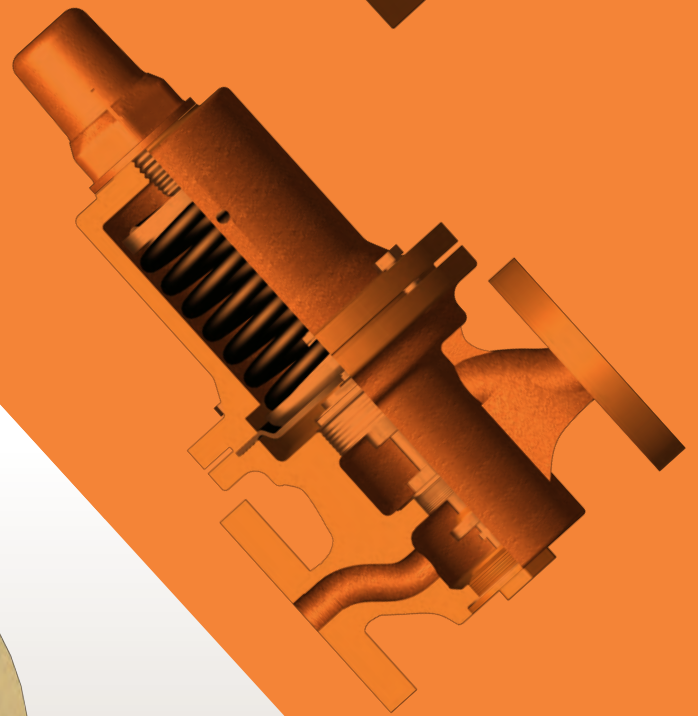
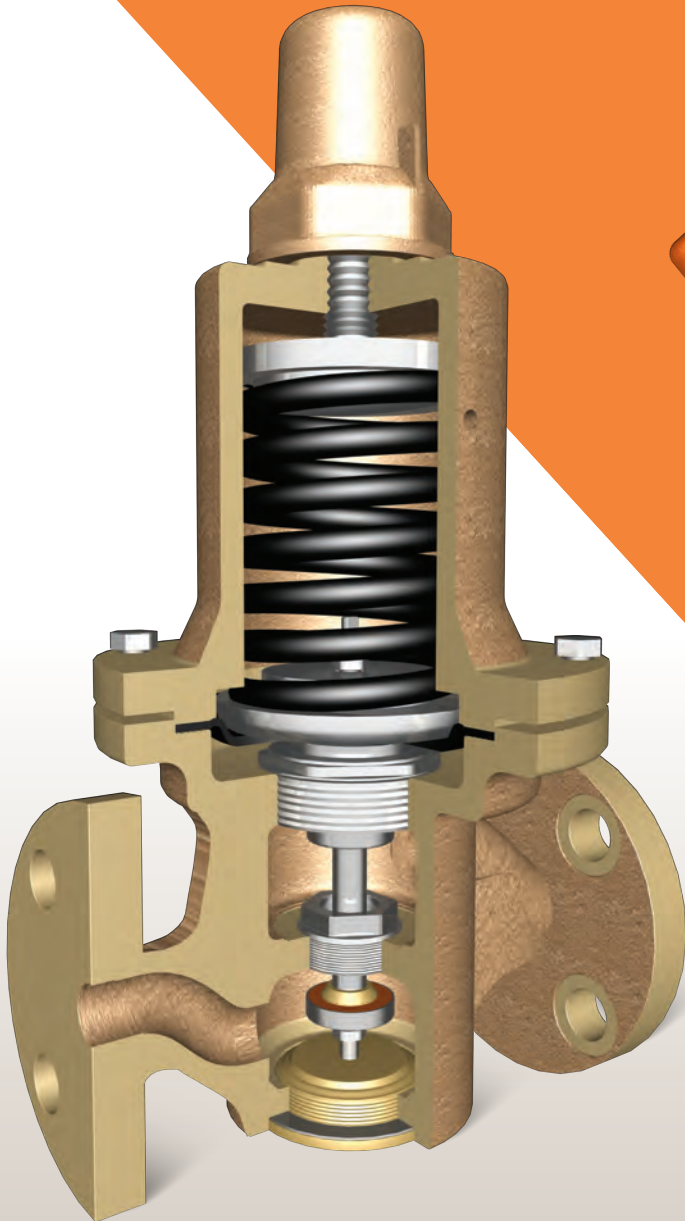
UNIT(mm)

SIZE	L	G	H1	H	PT d
15A	120.0	47.0	175.0	222.0	PT ½"
20A	120.0	47.0	175.0	222.0	PT ¾"
25A	120.0	51.0	180.0	231.0	PT 1"
32A	150.0	70.0	210.0	280.0	PT 1¼"
40A	150.0	70.0	210.0	280.0	PT 1½"

# PRESSURE REDUCING & REGULATING VALVE

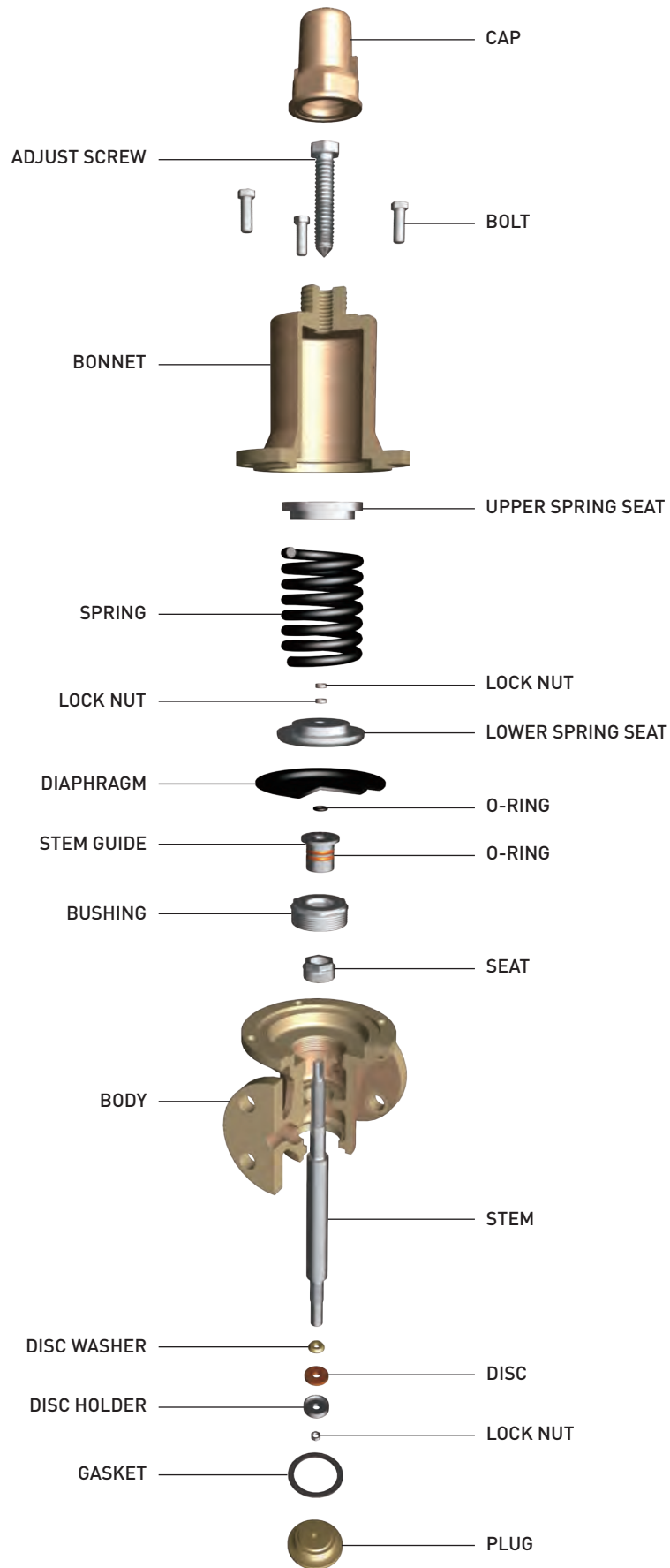
# PRIMARY REGULATING VALVE

- PART LIST FOR PRIMARY REGULATING VALVE
- DIMENSION LIST FOR PRIMARY REGULATING VALVE



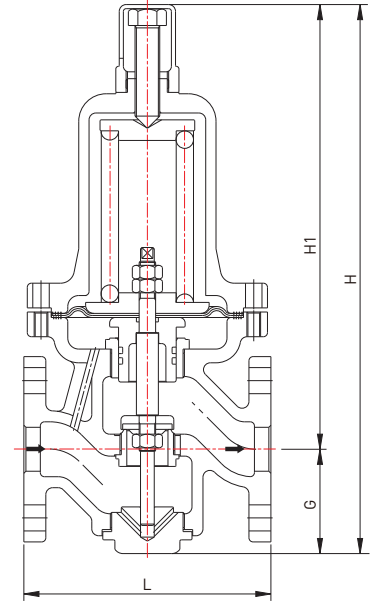
# PRIMARY REGULATING VALVE

## PART LIST FOR PRIMARY REGULATING VALVE



# DIMENSION LIST

## PRIMARY REGULATING VALVE (MODEL : SPPD-1F)



PRESSURE REDUCING & REGULATING VALVE

### SPECIFICATION

Working Pressure (kgf/cm <sup>2</sup> )	10	
Outlet Pressure (kgf/cm <sup>2</sup> )	0.5 ~ 8	
Working Temperature	MAX. 80°C	
Working Fluid	Liquid, Air, Water	
Connection	JIS 10K Flanged	
Material	Body	Ductile Cast Iron / Cast Steel / Cast Bronze
	Trim	Stainless Steel

### DIMENSION

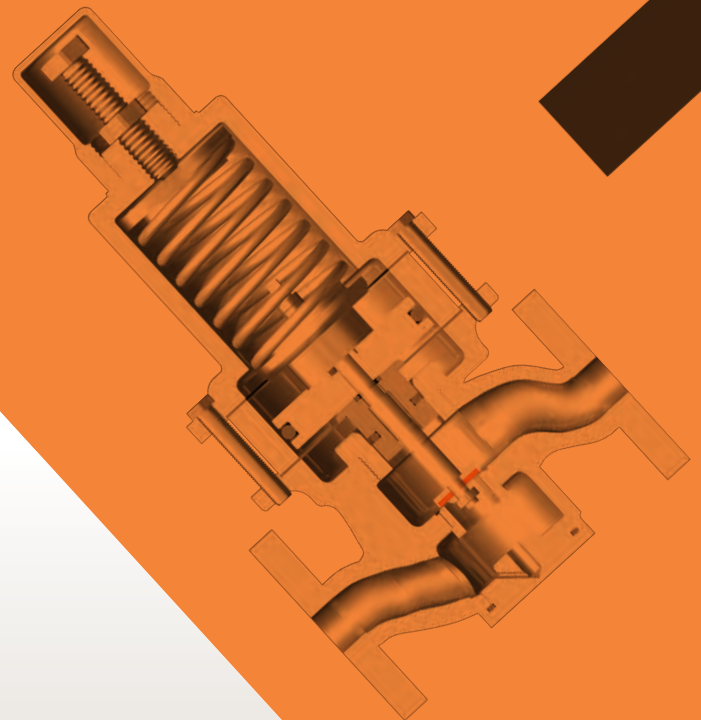
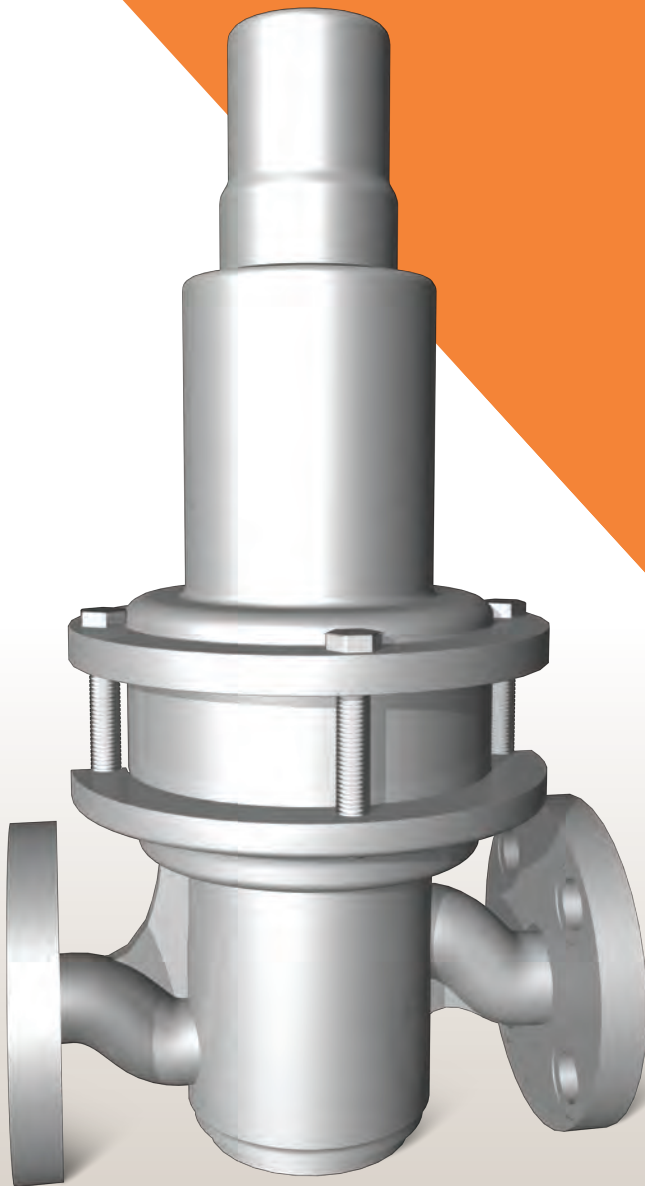
UNIT(mm)

SIZE	L	G	H	H1	CONNECTION
15A	160	65	334	269	INLET FLANGE JIS B 2220 10K FF (KS B 1503)
20A	160	65	334	269	
25A	160	65	334	269	
32A	180	75	405	330	
40A	180	75	405	330	
50A	190	75	410	335	
65A	230	80	500	420	
80A	250	100	520	420	

# PRESSURE REDUCING & REGULATING VALVE

# PISTON TYPE PRESSURE REGULATING VALVE

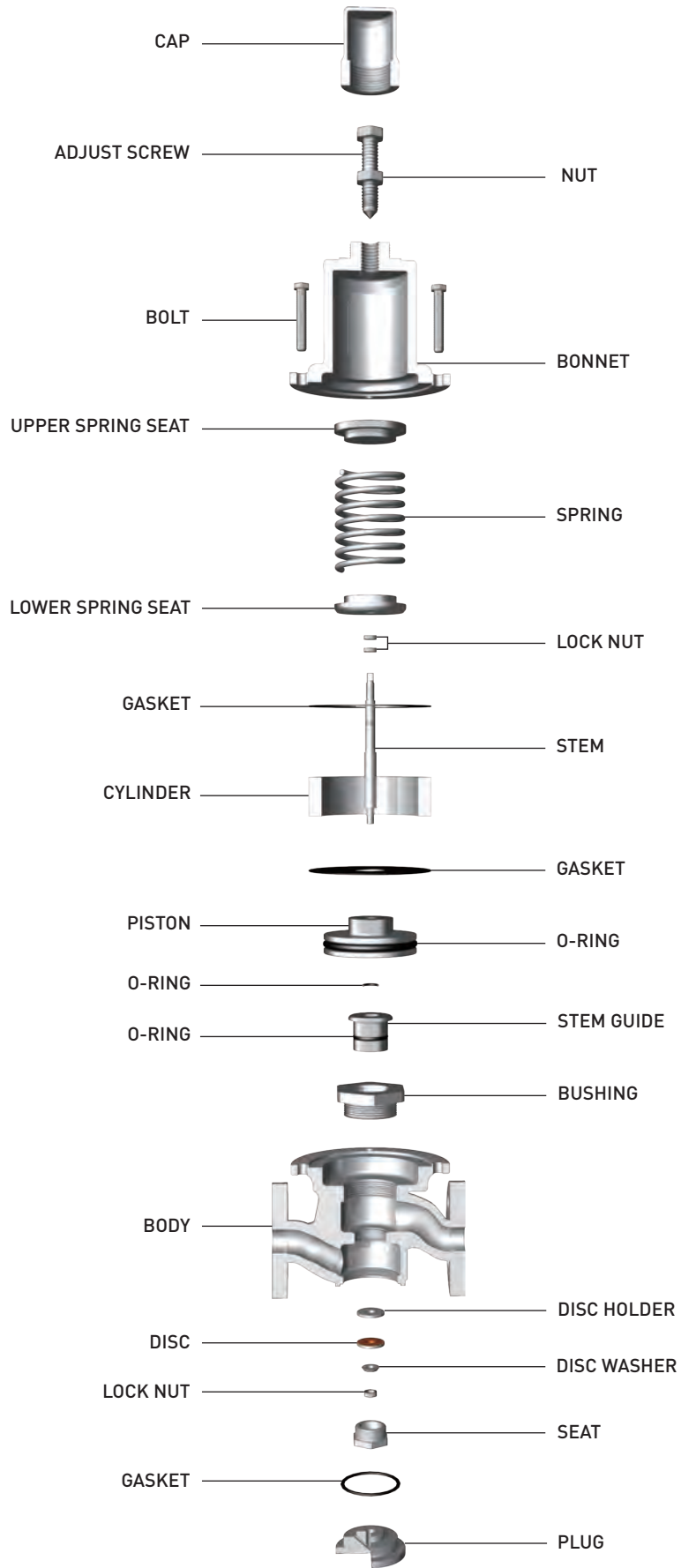
- PART LIST FOR PISTON TYPE PRESSURE REGULATING VALVE
- DIMENSION LIST FOR PISTON TYPE PRESSURE REGULATING VALVE





# PISTON TYPE PRESSURE REGULATING VALVE

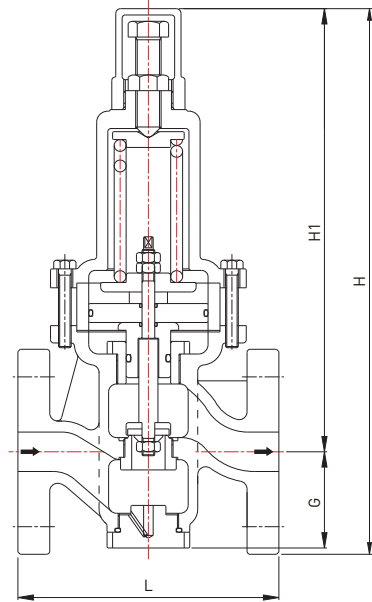
## PART LIST FOR PISTON TYPE PRESSURE REGULATING VALVE



## DIMENSION LIST

# PISTON TYPE PRESSURE REGULATING VALVE

## (MODEL : SPPP-1F)



### SPECIFICATION

Working Fluid	Liquid, Oil	
Working Temperature	MAX. 180°C	
Working Pressure (kgf/cm <sup>2</sup> )	16	
Setting Pressure Range (kgf/cm <sup>2</sup> )	0.5 ~ 12	
Hydrostatic Press Test	Working pressure × 1.5	
Material	Body	Ductile Cast Iron
	Trim	Stainless Steel / NBR

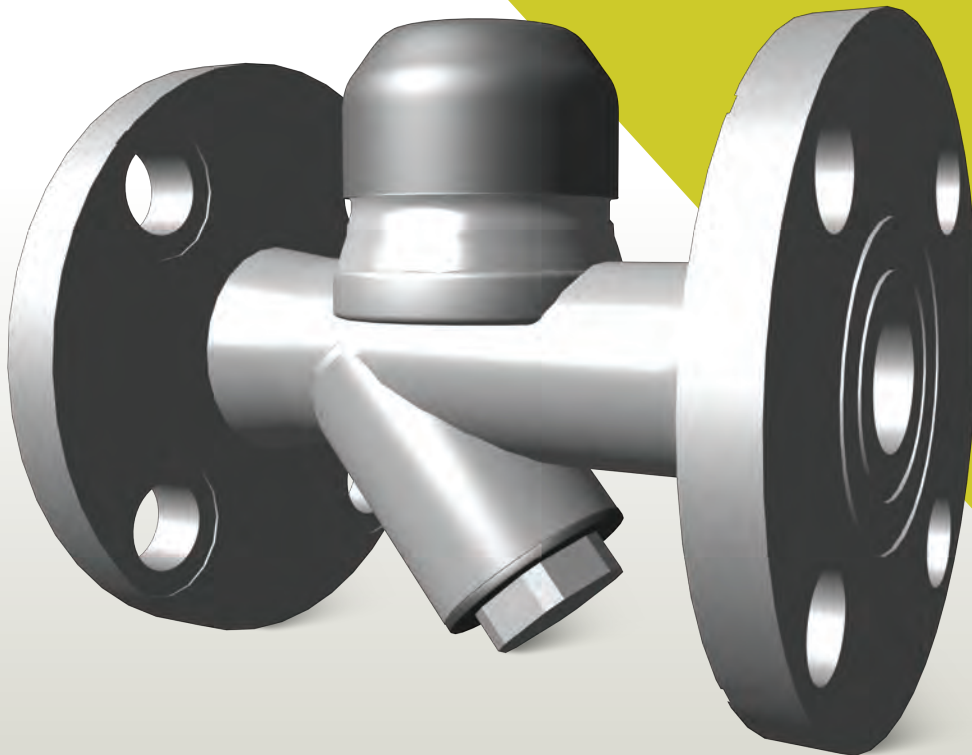
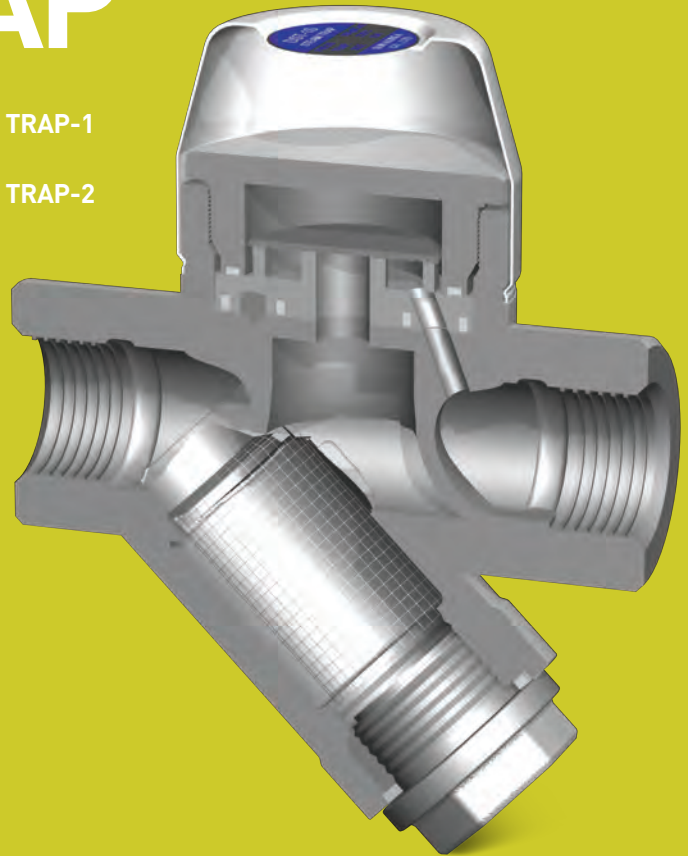
### DIMENSION

UNIT(mm)

SIZE	L	G	H	H1	CONNECTION
15A	160	62	350	255	INLET FLANGE JIS B 2210 16K FF (KS B 1511)
20A	160	62	350	255	
25A	160	62	350	266	
32A	180	70	410	335	
40A	180	70	410	335	
50A	190	75	460	345	
65A	230	100	460	405	
80A	250	100	460	420	

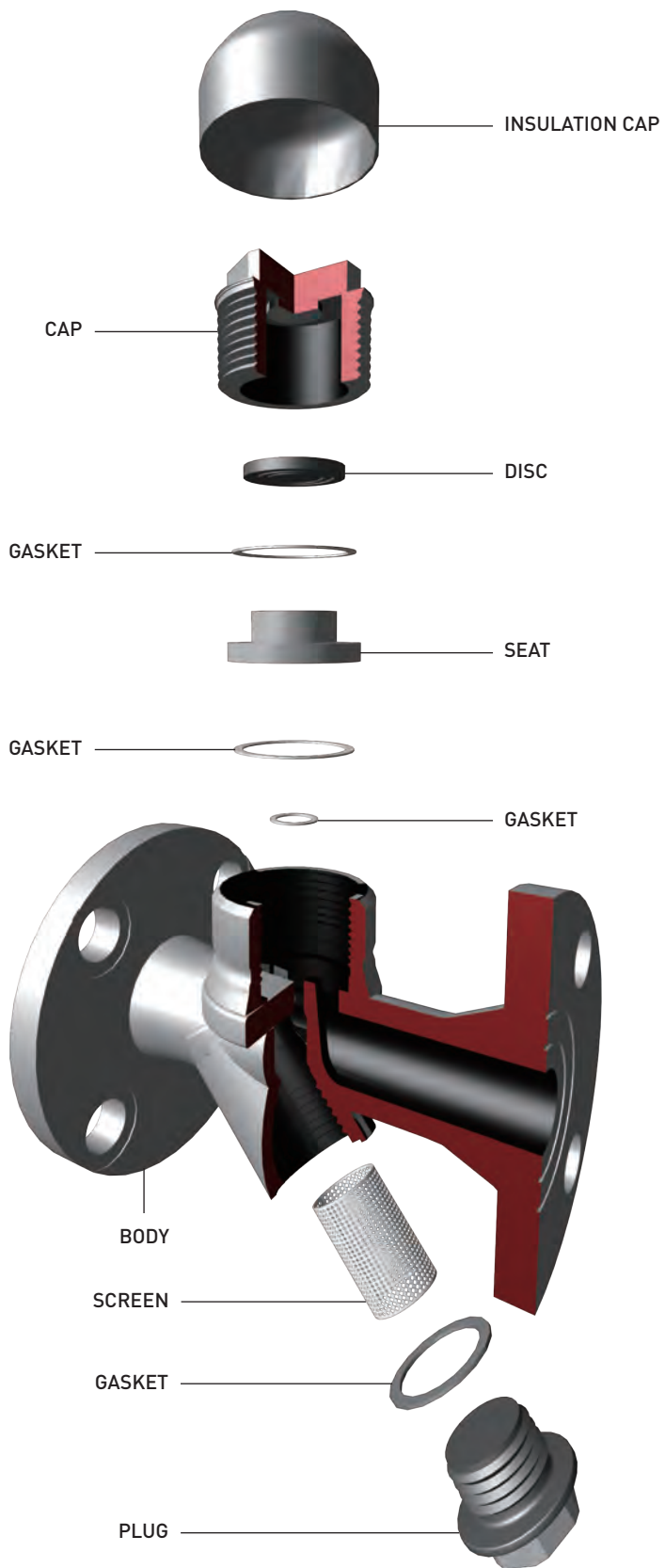
# STEAM TRAP + DISC TYPE STEAM TRAP

- PART LIST FOR DISC TYPE STEAM TRAP-1
- DIMENSION & WEIGHT LIST FOR DISC TYPE STEAM TRAP-1
- PART LIST FOR DISC TYPE STEAM TRAP-2
- DIMENSION & WEIGHT LIST FOR DISC TYPE STEAM TRAP-2



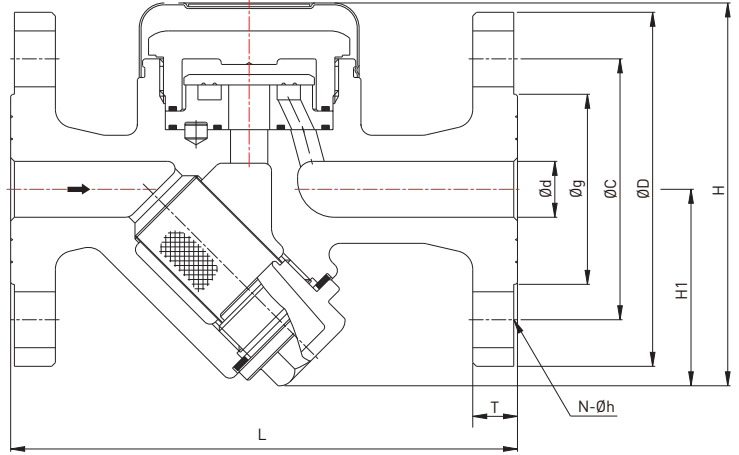
# DISC TYPE STEAM TRAP-1

## PART LIST FOR DISC TYPE STEAM TRAP-1



# DIMENSION & WEIGHT LIST

## DISC TYPE STEAM TRAP-1 (MODEL : SPTD-1F)



### SPECIFICATION

Working Pressure (kgf/cm <sup>2</sup> )	0.35 ~ 16	
Working Temperature	MAX. 220°C	
Working Fluid	Steam	
Connection	JIS Flanged	
Material	Body	Ductile Cast Iron
	Trim	Stainless Steel

### DIMENSION

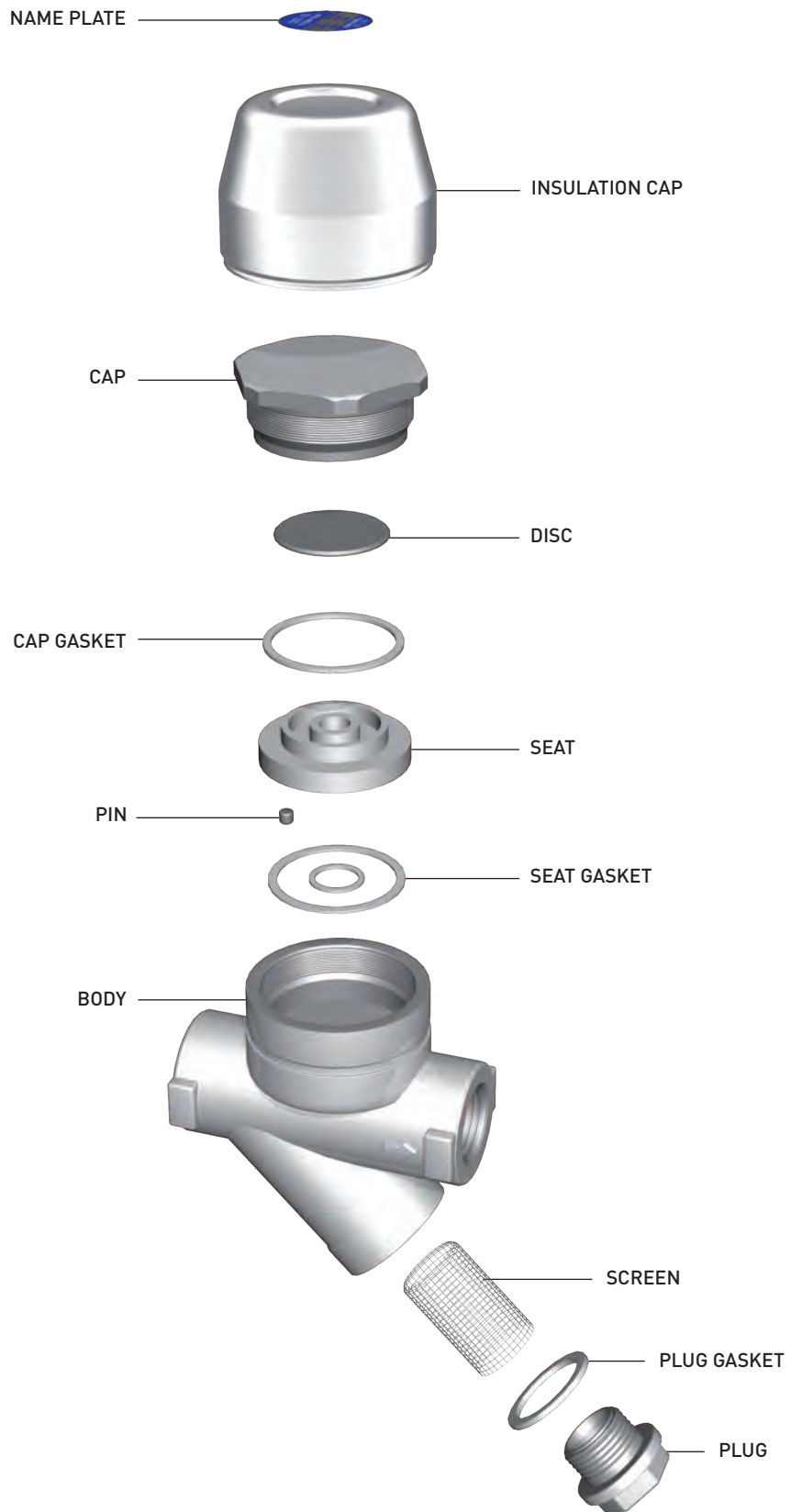
UNIT(mm)

SIZE	PRESSURE (FLANGE)	Ød	L	H1	H	FLANGE JIS B 2210					WEIGHT (kg)
						ØD	ØC	Øg	T	N-Øh	
15A	5K FF	15	130	53	103	80	60	-	9	4-12	1.9
	10K FF, 16K FF	15	136	53	103	95	70	-	12	4-15	2.4
	10K RF, 16K RF	15	136	53	103	95	70	51	12	4-15	2.4
20A	5K FF	20	132	55	108	85	65	-	10	4-12	2.3
	10K FF, 16K FF	20	140	55	108	100	75	-	14	4-15	2.7
	10K RF, 16K RF	20	140	55	108	100	75	56	14	4-15	2.7
25A	5K FF	25	142	58	113	95	75	-	10	4-12	2.5
	10K FF, 16K FF	25	150	58	113	125	90	-	14	4-19	3.7
	10K RF, 16K RF	25	150	58	113	125	90	67	14	4-19	3.7



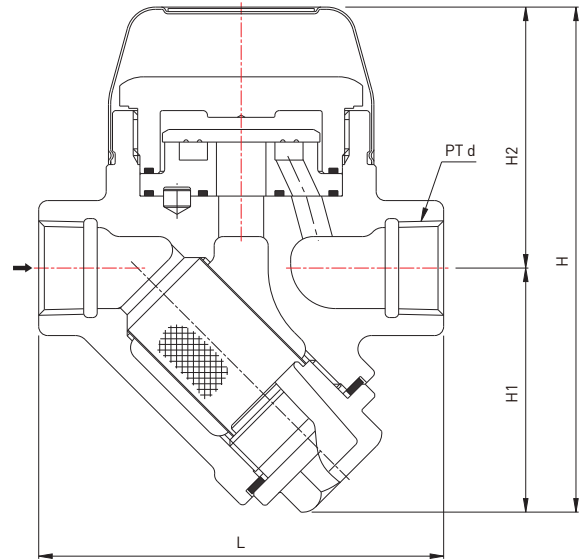
# DISC TYPE STEAM TRAP-2

## PART LIST FOR DISC TYPE STEAM TRAP-2



## DIMENSION & WEIGHT LIST

# DISC TYPE STEAM TRAP-2 (MODEL : SPTD-1S)



### SPECIFICATION

Working Pressure (kgf/cm <sup>2</sup> )	0.35 ~ 16	
Working Temperature	MAX. 220°C	
Working Fluid	Steam	
Connection	PT Screwed	
Material	Body	Ductile Cast Iron
	Trim	Stainless Steel

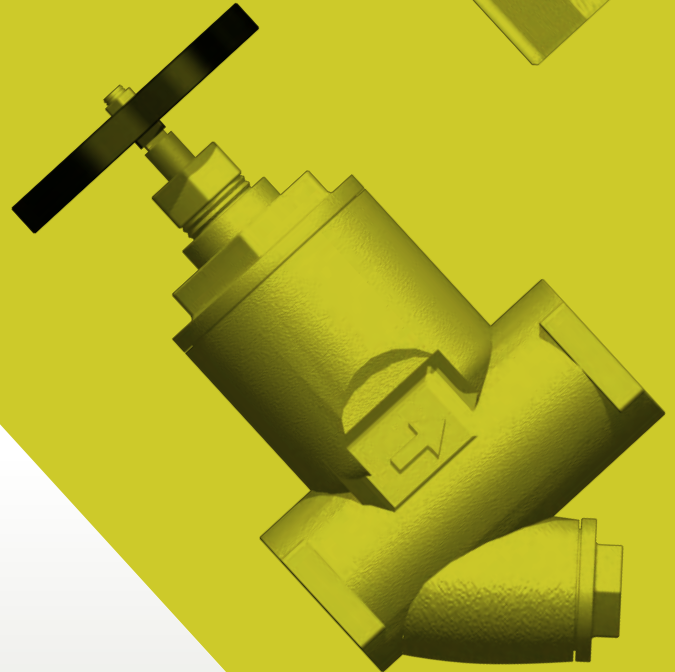
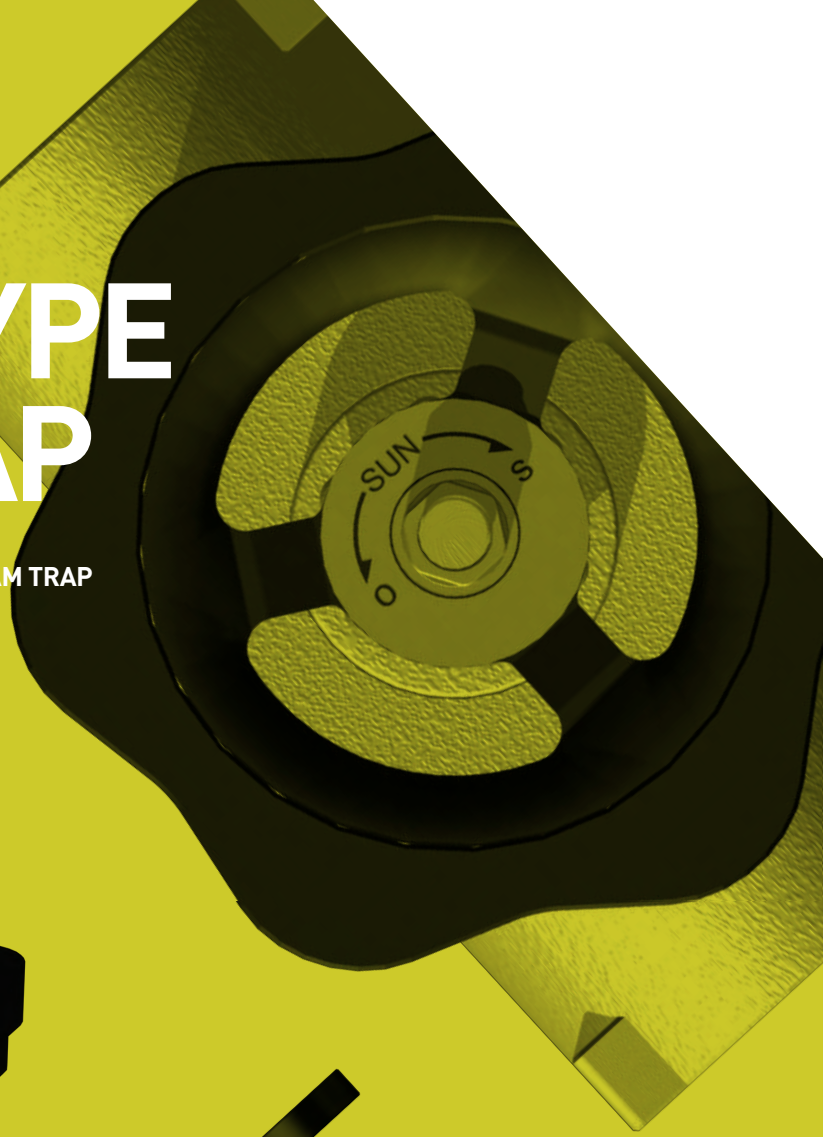
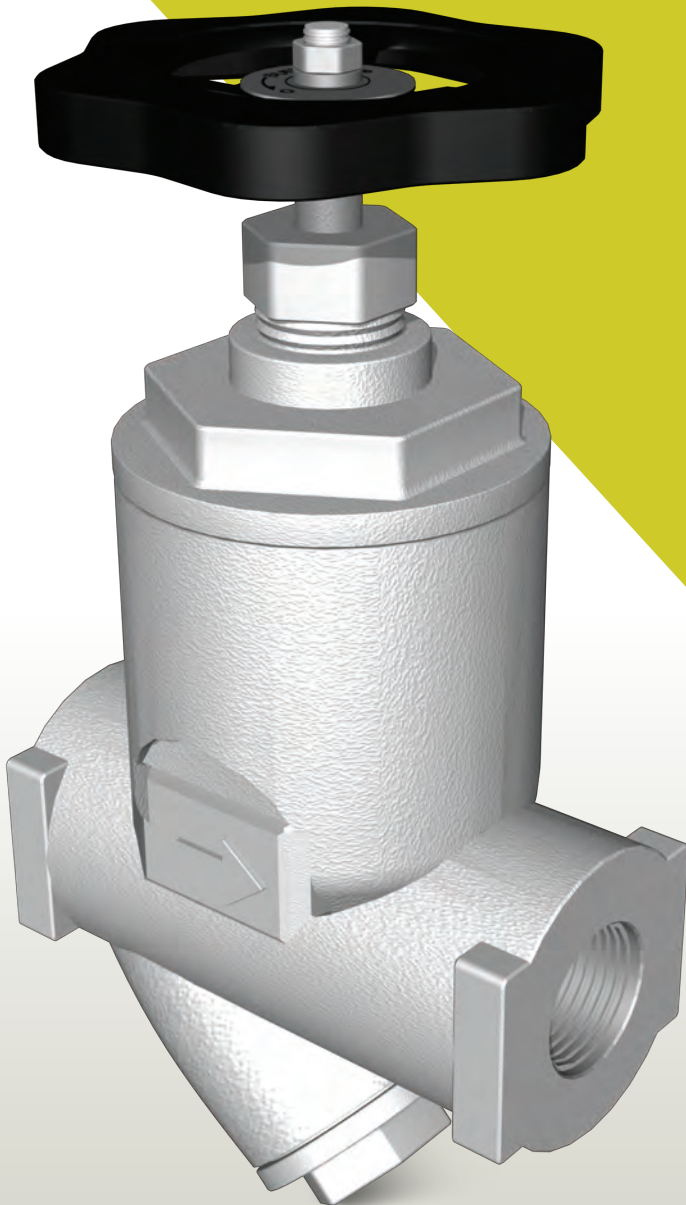
### DIMENSION

UNIT(mm)

SIZE	L	H1	H2	H	PT d	WEIGHT (kg)
15A	90.0	54.0	50.0	104.0	½"	1.1
20A	95.0	56.0	52.0	108.0	¾"	1.2
25A	100.0	58.0	54.0	112.0	1"	1.3

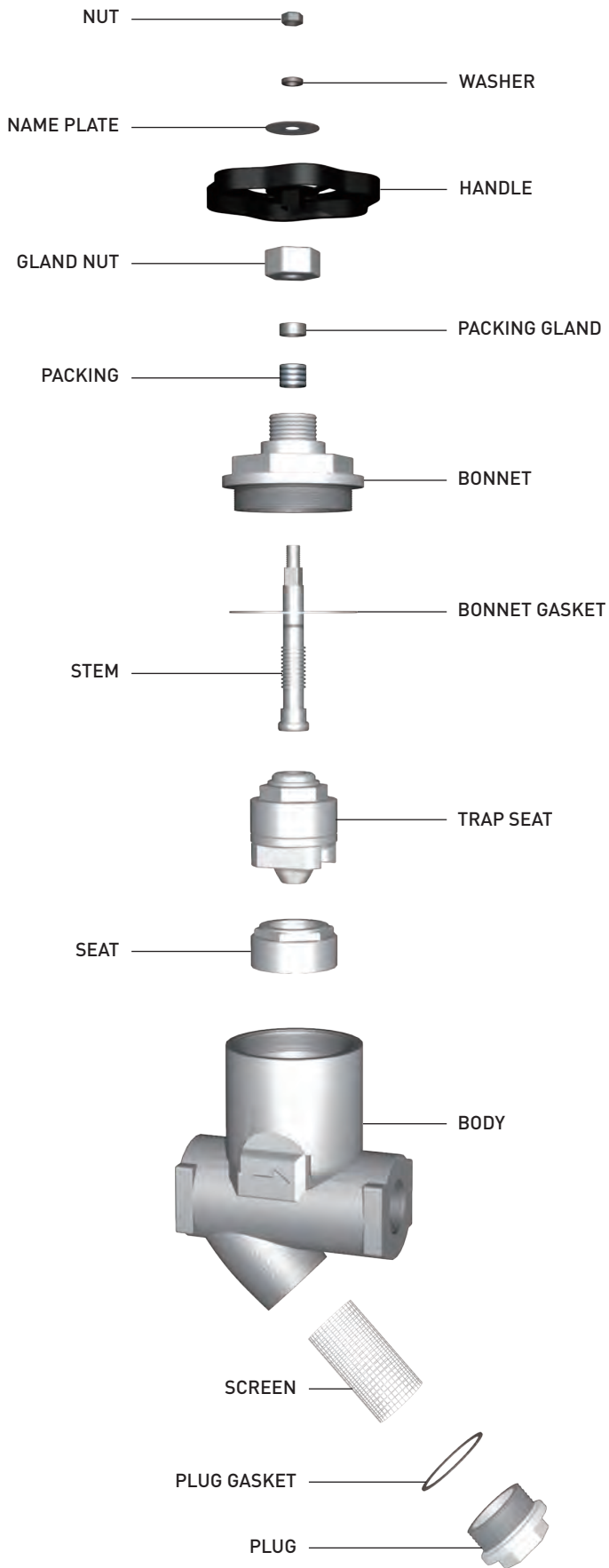
# STEAM TRAP BY-PASS TYPE STEAM TRAP

- PART LIST FOR BY-PASS TYPE STEAM TRAP
- DIMENSION & WEIGHT LIST FOR BY-PASS TYPE STEAM TRAP



# BY-PASS TYPE STEAM TRAP

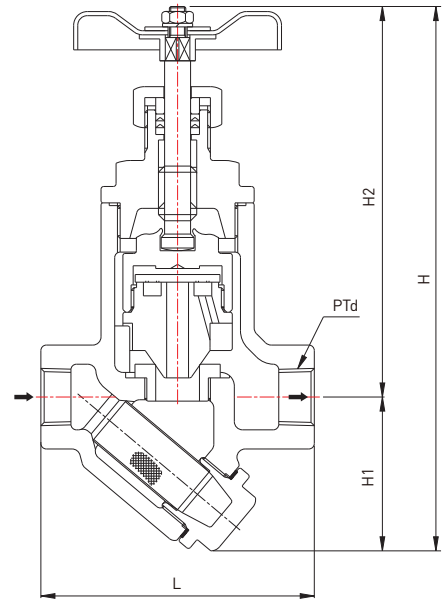
## PART LIST FOR BY-PASS TYPE STEAM TRAP



## DIMENSION & WEIGHT LIST

# BY-PASS TYPE STEAM TRAP

(MODEL : SPTP-1S)



### SPECIFICATION

Working Pressure (kgf/cm <sup>2</sup> )	0.35 ~ 16	
Working Temperature	MAX. 220°C	
Working Fluid	Steam	
Connection	PT Screwed	
Material	Body	Ductile Cast Iron
	Trim	Stainless Steel

### DIMENSION

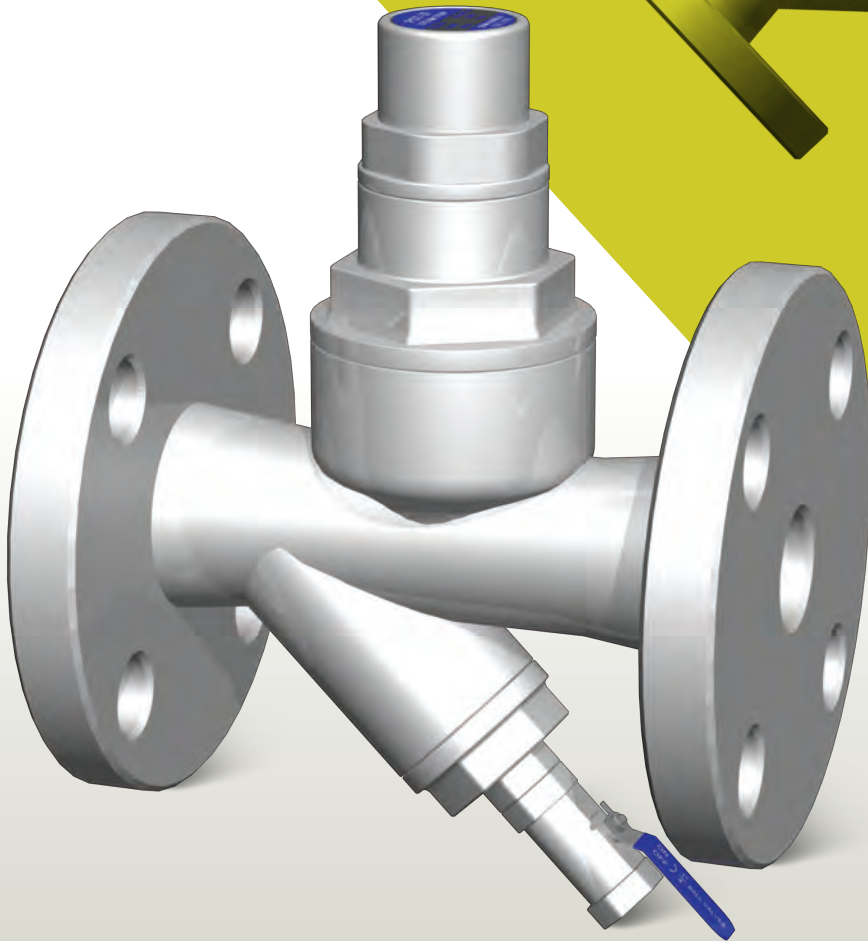
UNIT(mm)

SIZE	L	H1	H2	H	PT d	WEIGHT (kg)
15A	100.0	58.0	145.0	203.0	1/2"	2.1
20A	100.0	58.0	145.0	203.0	3/4"	2.1
25A	110.0	62.0	145.0	207.0	1"	2.3



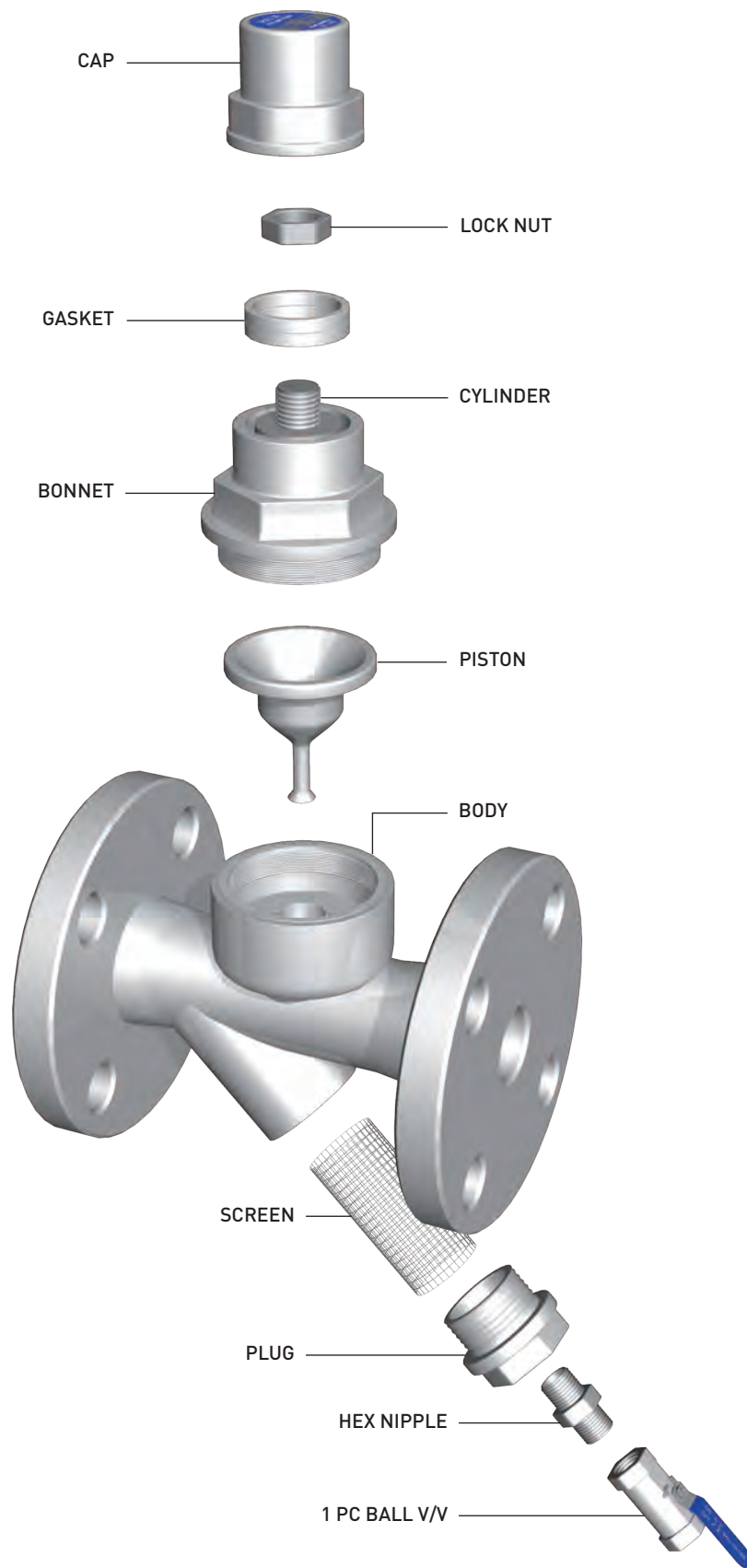
# STEAM TRAP + PISTON TYPE STEAM TRAP

- PART LIST FOR PISTON TYPE STEAM TRAP
- DIMENSION & WEIGHT LIST FOR PISTON TYPE STEAM TRAP



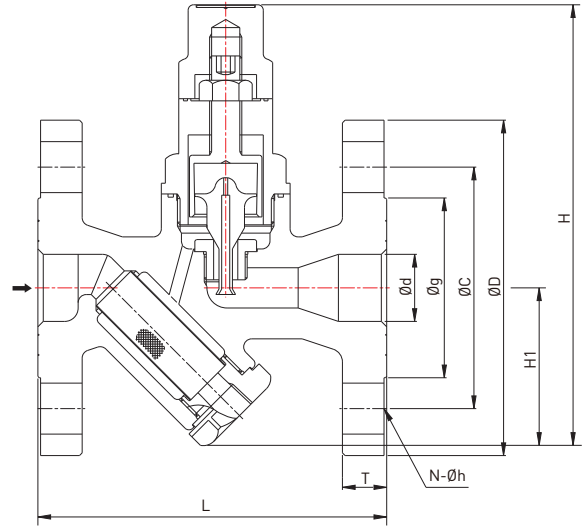
# PISTON TYPE STEAM TRAP

## PART LIST FOR PISTON TYPE STEAM TRAP



# DIMENSION & WEIGHT LIST

## PISTON TYPE STEAM TRAP (MODEL : SPTP-2F)



### SPECIFICATION

Working Pressure (kgf/cm <sup>2</sup> )	0.35 ~ 16	
Working Temperature	MAX. 220°C	
Working Fluid	Steam	
Connection	JIS Flanged	
Material	Body	Cast Steel / Stainless Steel
	Trim	Stainless Steel

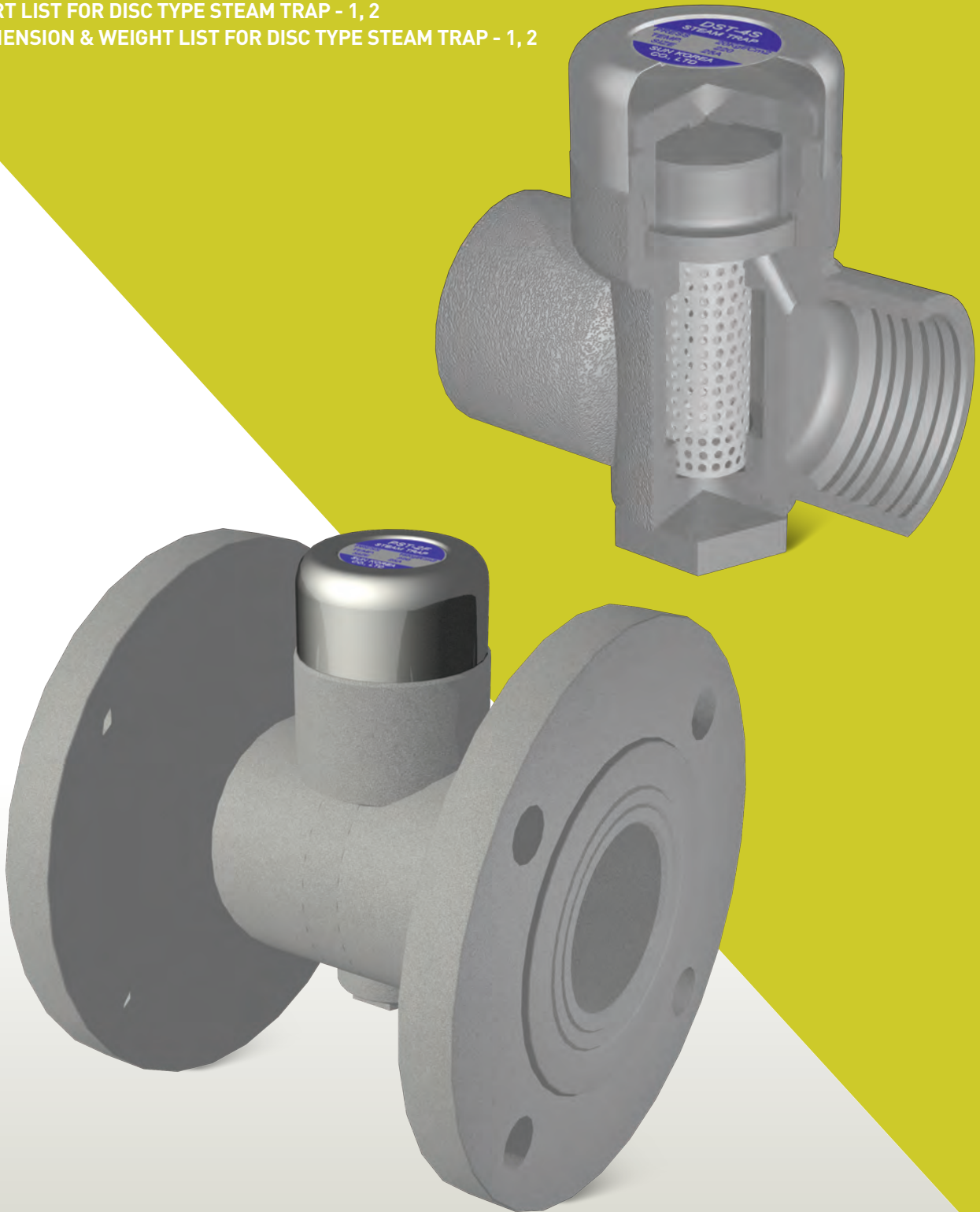
### DIMENSION

SIZE	PRESSURE (FLANGE)	Ød	L	H1	H	FLANGE JIS B 2210					WEIGHT (kg)
						ØD	ØC	Øg	T	N-Øh	
25A	10K FF, 16K FF	25	130	59	165	125	90	-	14	4-19	4.2
	10K RF, 16K RF	25	130	59	165	125	90	67	14	4-19	4.2

UNIT(mm)

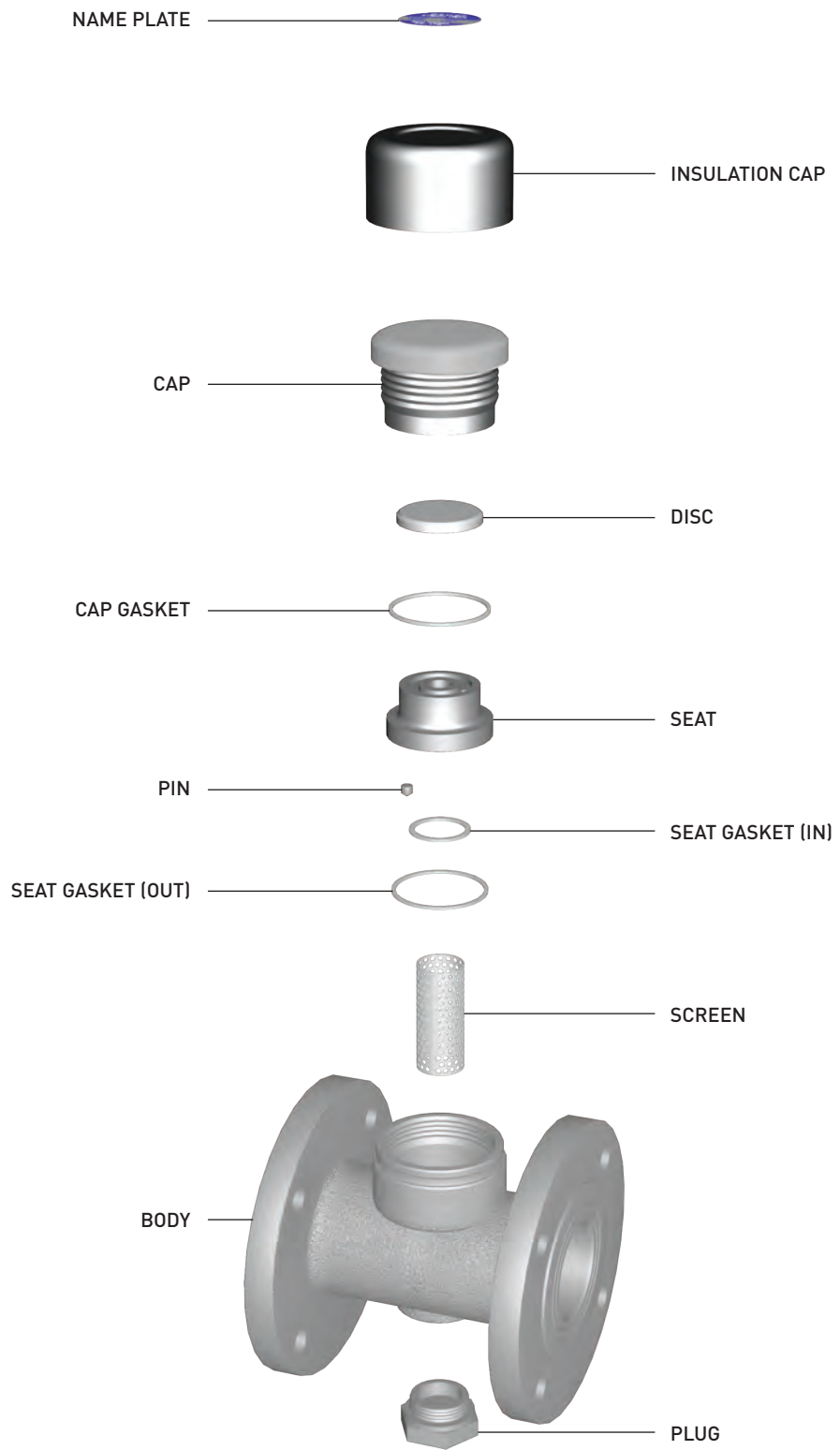
# STEAM TRAP + DISC TYPE STEAM TRAP

- PART LIST FOR DISC TYPE STEAM TRAP - 1, 2
- DIMENSION & WEIGHT LIST FOR DISC TYPE STEAM TRAP - 1, 2



# DISC TYPE STEAM TRAP-1

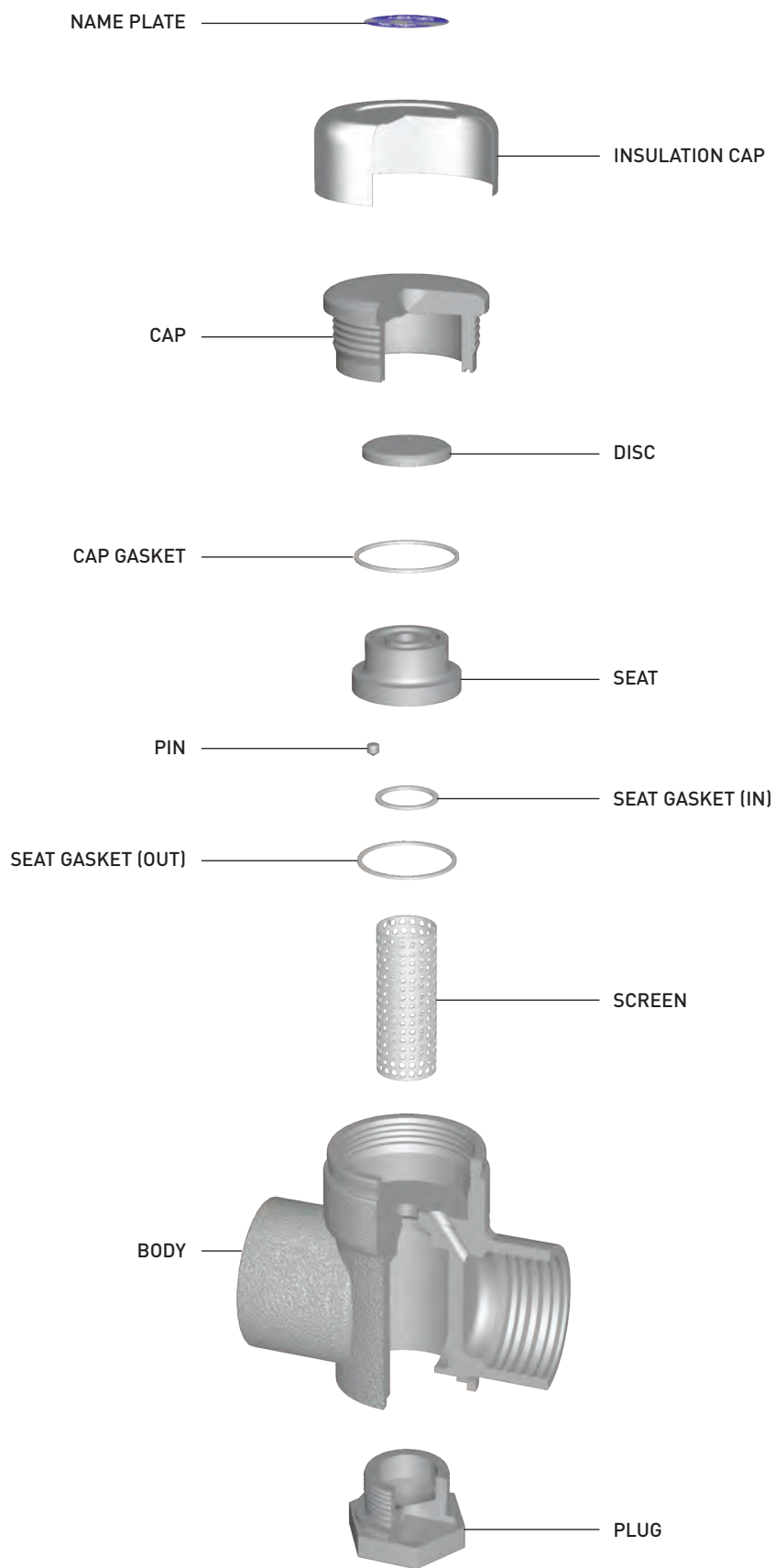
## PART LIST FOR DISC TYPE STEAM TRAP - 1





# DISC TYPE STEAM TRAP-2

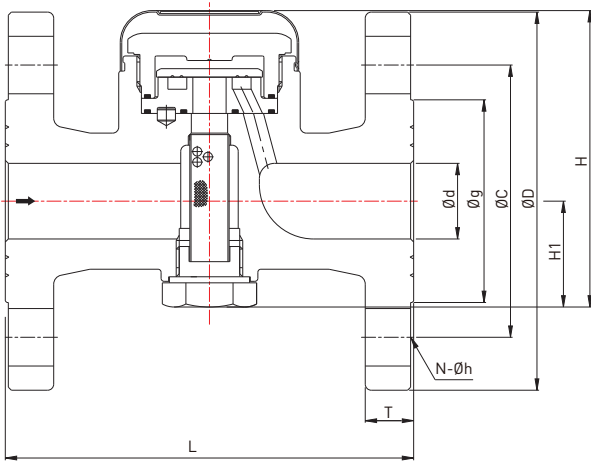
## PART LIST FOR DISC TYPE STEAM TRAP - 2



DIMENSION & WEIGHT LIST

# DISC TYPE STEAM TRAP-1

(MODEL : SPTD-4F)



## SPECIFICATION

Working Pressure (kgf/cm <sup>2</sup> )	0.35 ~ 20	
Working Temperature	MAX. 220°C	
Working Fluid	Steam	
Connection	JIS 10K, 20K Flanged	
Material	Body	Stainless Steel
	Trim	Stainless Steel

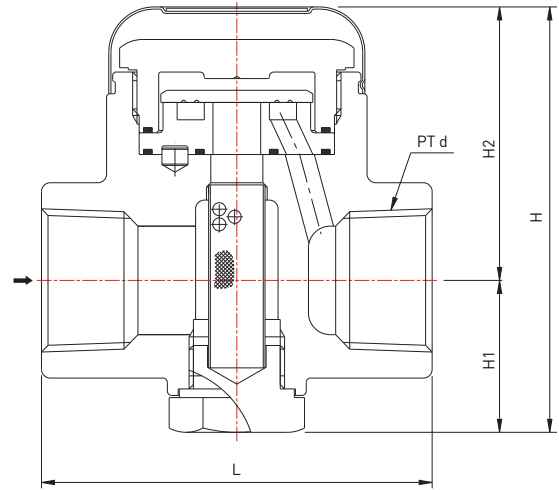
## DIMENSION

UNIT(mm)

SIZE	Ød	L	H1	H	FLANGE JIS B 2210 20K RF				
					ØD	ØC	Øg	T	N-Øh
15A	15	130	35	98	95	70	51	14	4-15
20A	20	130	35	98	100	75	56	16	4-15
25A	25	135	35	98	125	90	67	16	4-19

# DISC TYPE STEAM TRAP-2

(MODEL : SPTD-4S)



## SPECIFICATION

Working Pressure (kgf/cm <sup>2</sup> )	0.35 ~ 20	
Working Temperature	MAX. 220°C	
Working Fluid	Steam	
Connection	PT Screwed	
Material	Body	Stainless Steel
	Trim	Stainless Steel

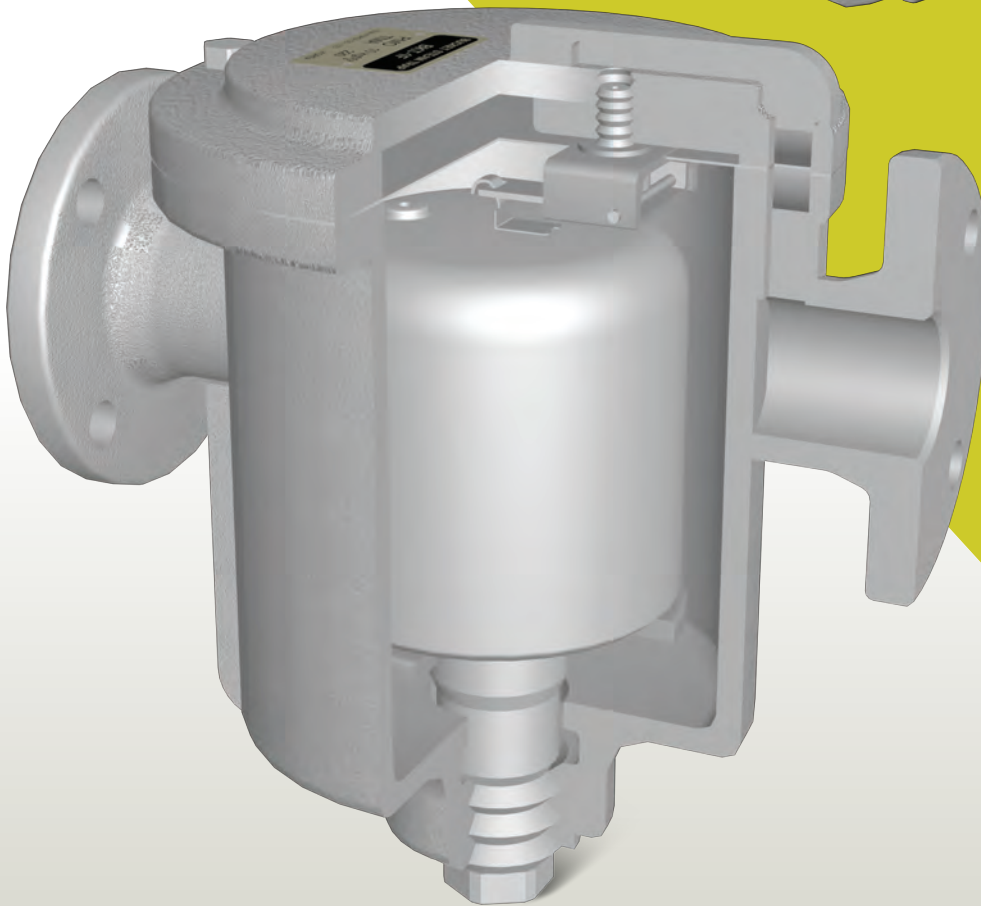
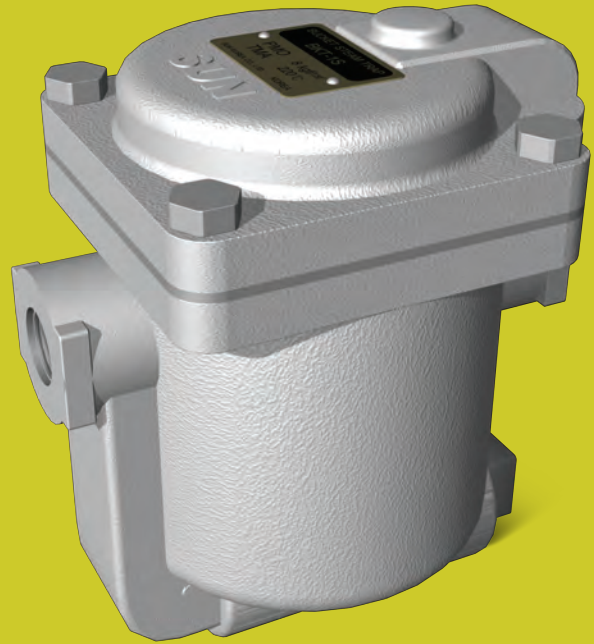
## DIMENSION

UNIT(mm)

SIZE	L	H1	H2	H	PT d	WEIGHT (kg)
15A	80	34	60	94	1/2"	1.4
20A	80	34	60	94	3/4"	1.4
25A	90	34	63	97	1"	1.4

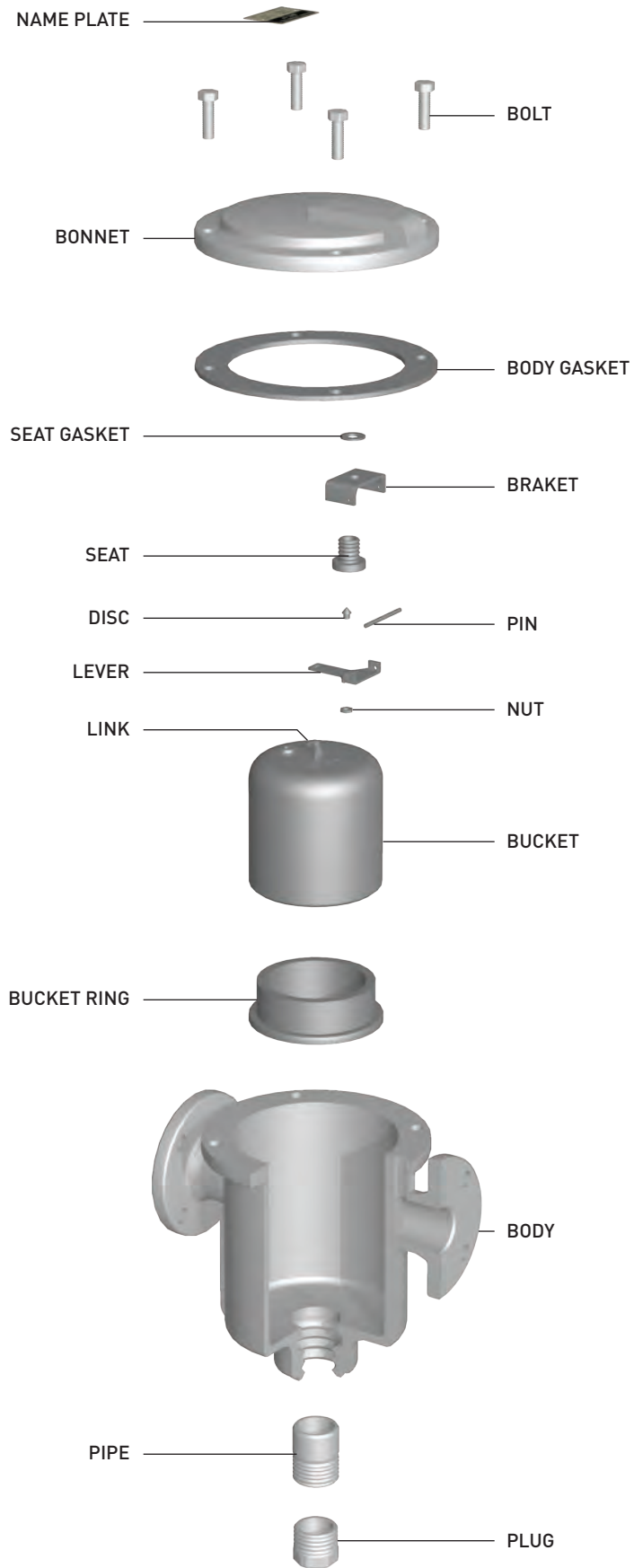
# STEAM TRAP + BUCKET TYPE STEAM TRAP

- PART LIST FOR BUCKET TYPE STEAM TRAP - 1, 2
- DIMENSION LIST FOR BUCKET TYPE STEAM TRAP - 1, 2



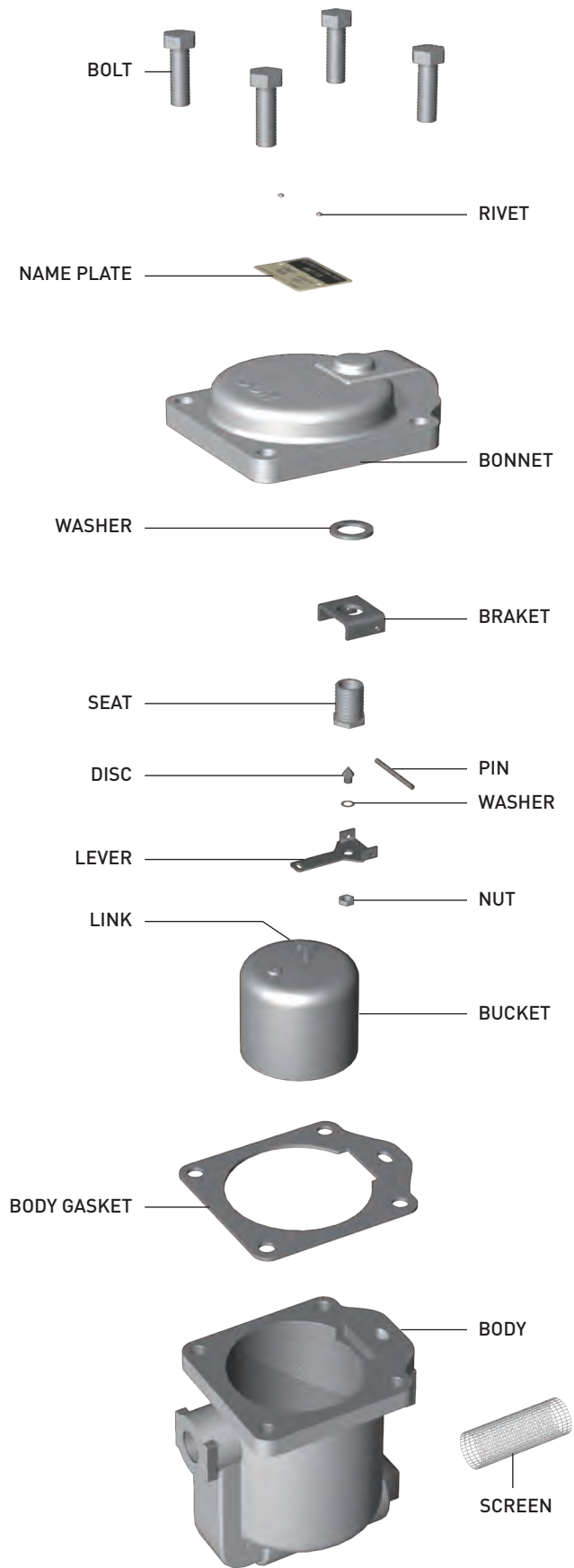
# BUCKET TYPE STEAM TRAP-1

## PART LIST FOR BUCKET TYPE STEAM TRAP - 1



# BUCKET TYPE STEAM TRAP-2

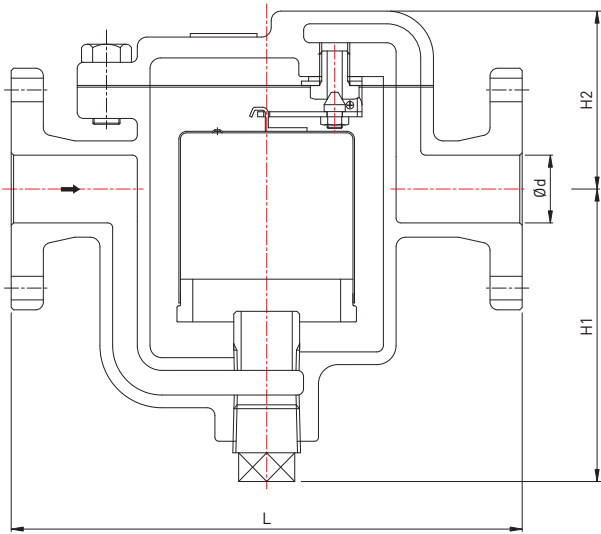
## PART LIST FOR BUCKET TYPE STEAM TRAP - 2





# DIMENSION LIST

## BUCKET TYPE STEAM TRAP-1 (MODEL : SPTB-1F)



### SPECIFICATION

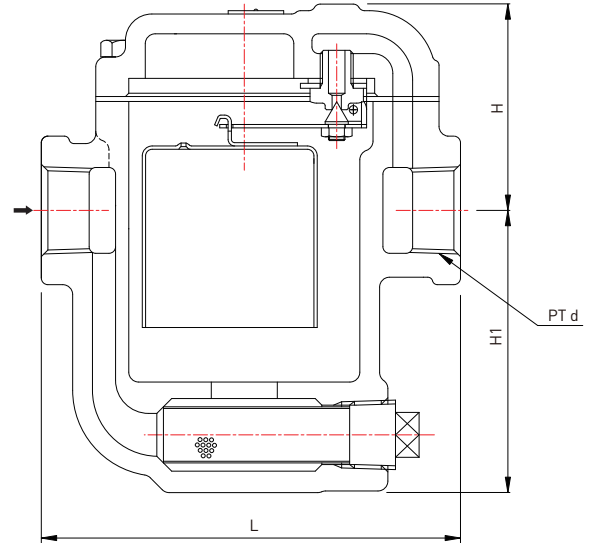
Working Pressure (kgf/cm <sup>2</sup> )	0.35 ~ 8.16	
Working Temperature	MAX. 220°C	
Working Fluid	Steam	
Connection	JIS 10K Flanged	
Material	Body	Ductile Cast Iron
	Trim	Stainless Steel

### DIMENSION

UNIT(mm)

SIZE	Ød	L	H1	H2	FLANGE
32A	32	250	190	90	JIS B 2210 10K FF
40A	40	250	190	90	
50A	50	290	200	100	

## BUCKET TYPE STEAM TRAP-2 (MODEL : SPTB-1S)



### SPECIFICATION

Working Pressure (kgf/cm <sup>2</sup> )	0.35 ~ 8.16	
Working Temperature	MAX. 220°C	
Working Fluid	Steam	
Connection	PT Screwed	
Material	Body	Ductile Cast Iron
	Trim	Stainless Steel

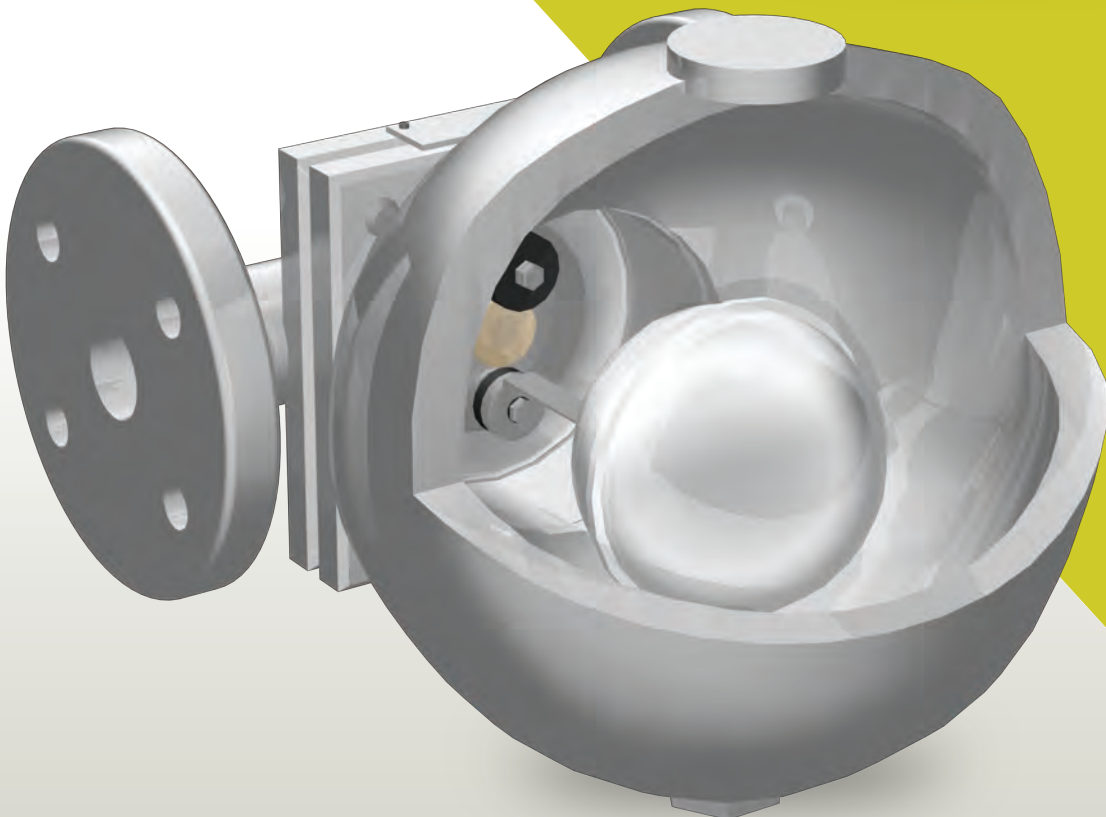
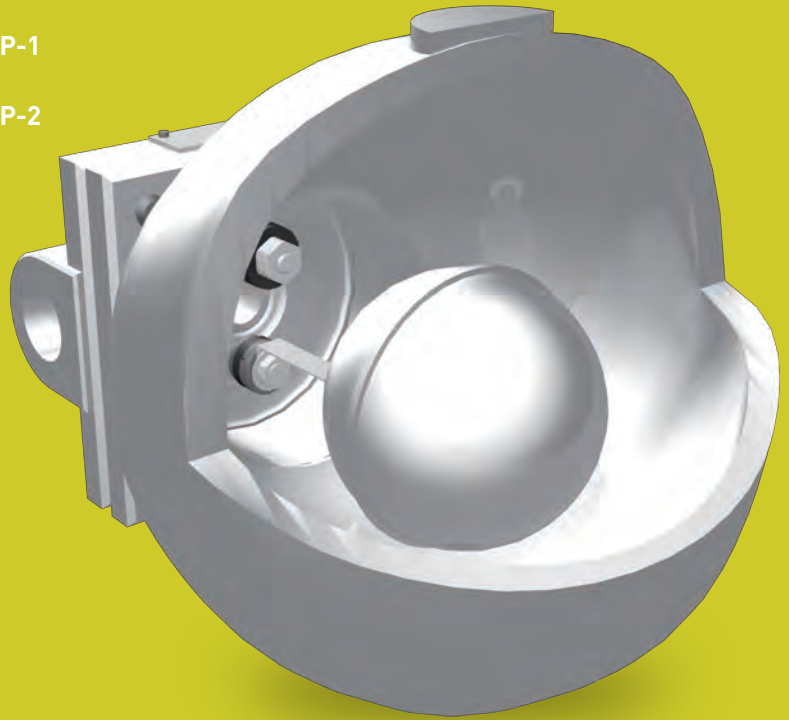
### DIMENSION

UNIT(mm)

SIZE	L	H	H1	PT d
15A	127	70	88	PT ½"
20A	127	70	88	PT ¾"
25A	137	77	94	PT 1"

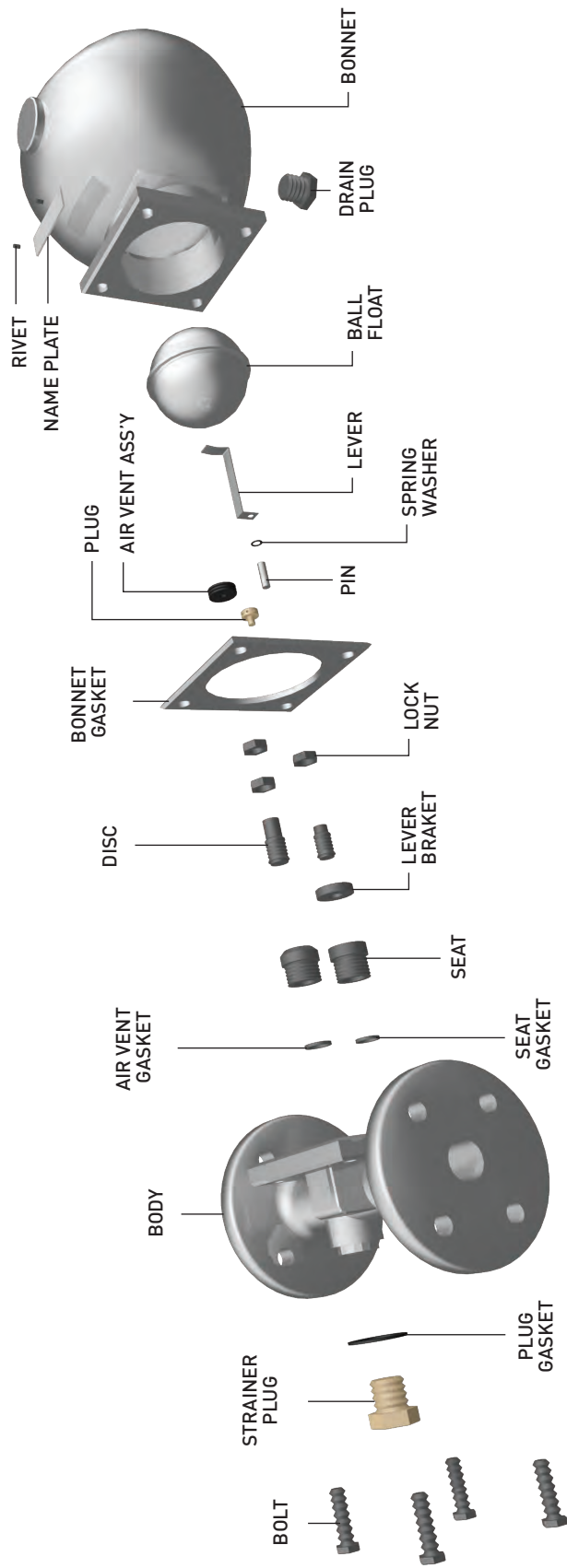
# STEAM TRAP + FLOAT TYPE STEAM TRAP

- PART LIST FOR FLOAT TYPE STEAM TRAP-1
- DIMENSION LIST FOR FLOAT TYPE STEAM TRAP-1
- PART LIST FOR FLOAT TYPE STEAM TRAP-2
- DIMENSION LIST FOR FLOAT TYPE STEAM TRAP-2



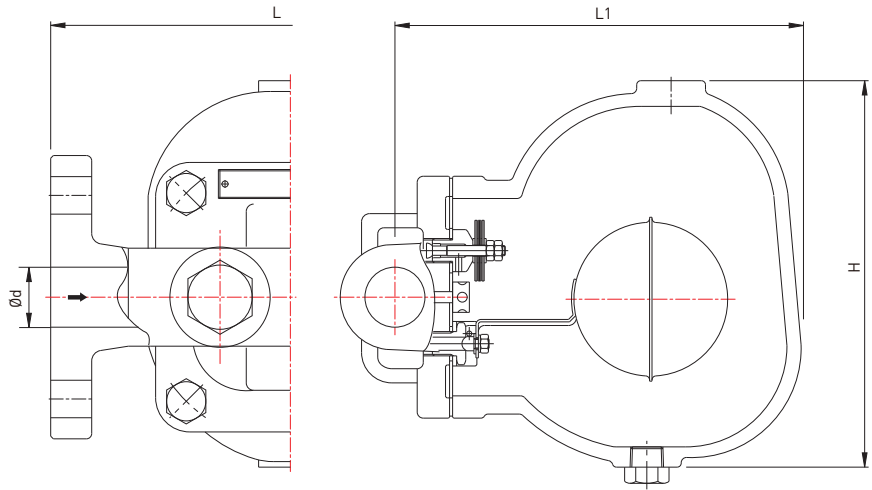
# FLOAT TYPE STEAM TRAP-1

## PART LIST FOR FLOAT TYPE STEAM TRAP-1



## DIMENSION LIST

# FLOAT TYPE STEAM TRAP-1 (MODEL : SPTF-1F)



### SPECIFICATION

Working Pressure (kgf/cm <sup>2</sup> )	0.35 ~ 4.5, 10, 14	
Working Temperature	MAX. 220 °C	
Working Fluid	Steam	
Connection	JIS 10K Flanged	
Material	Body	Ductile Cast Iron
	Trim	Stainless Steel

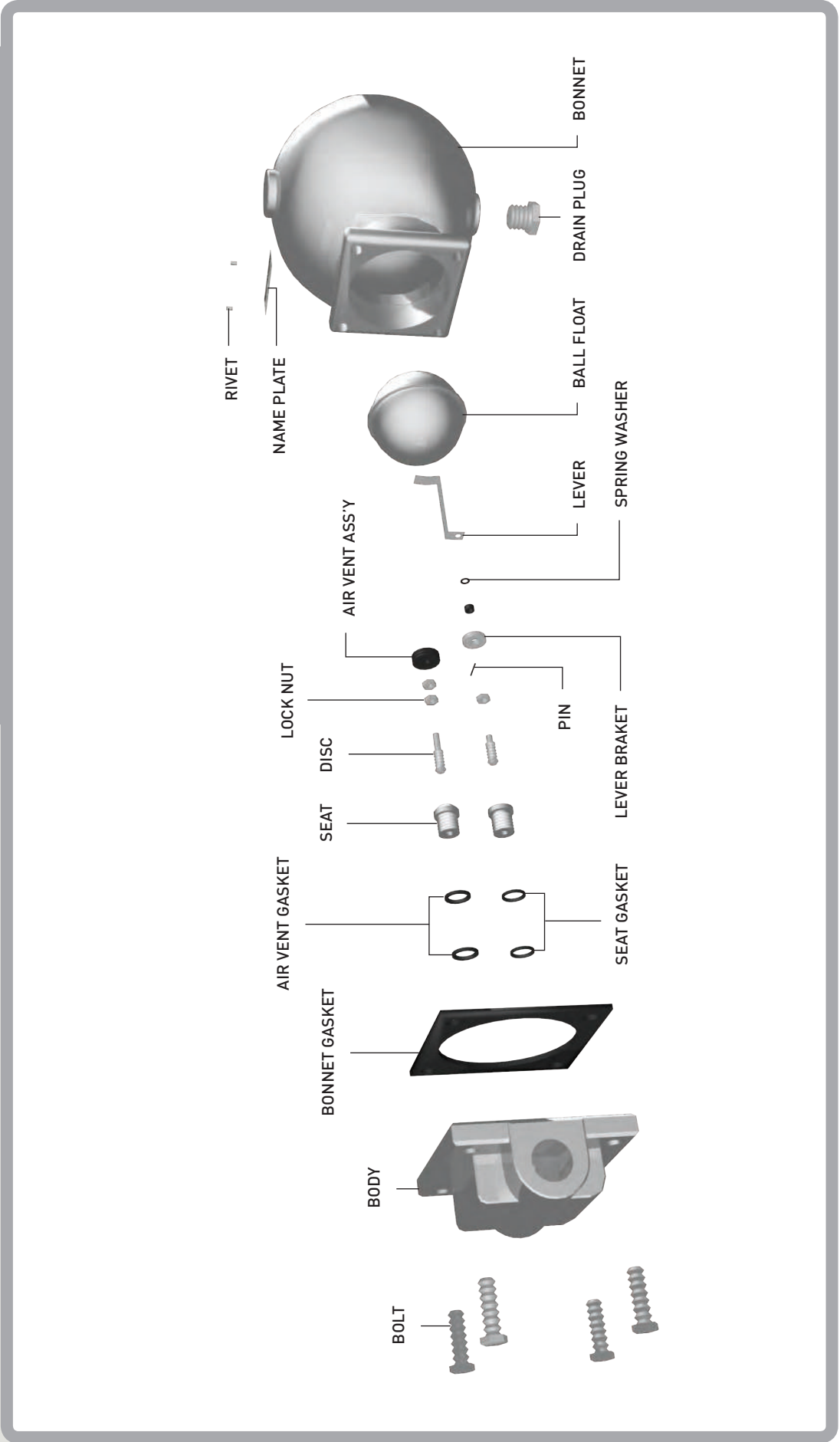
### DIMENSION

UNIT(mm)

SIZE	Ød	L	L1	H	FLANGE
15A	15	200	110	170	FLANGE JIS B 2210 10K, 16K FF
20A	20	200	110	170	
25A	25	215	190	185	
32A	32	320	240	295	
40A	40	320	240	295	
50A	50	360	240	310	

# FLOAT TYPE STEAM TRAP-2

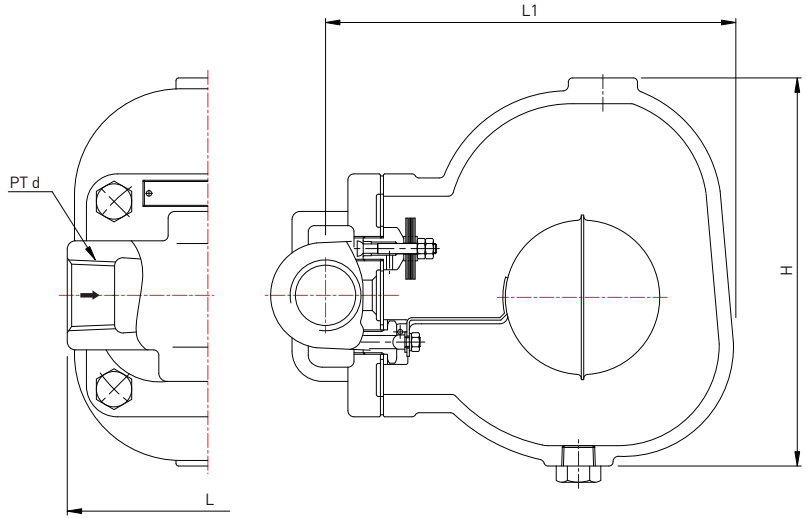
## PART LIST FOR FLOAT TYPE STEAM TRAP-2





## DIMENSION LIST

# FLOAT TYPE STEAM TRAP-2 (MODEL : SPTF-1S)



### SPECIFICATION

Working Pressure (kgf/cm <sup>2</sup> )	0.35 ~ 4.5, 10, 14	
Working Temperature	MAX. 220°C	
Working Fluid	Steam	
Connection	PT Screwed	
Material	Body	Ductile Cast Iron
	Trim	Stainless Steel

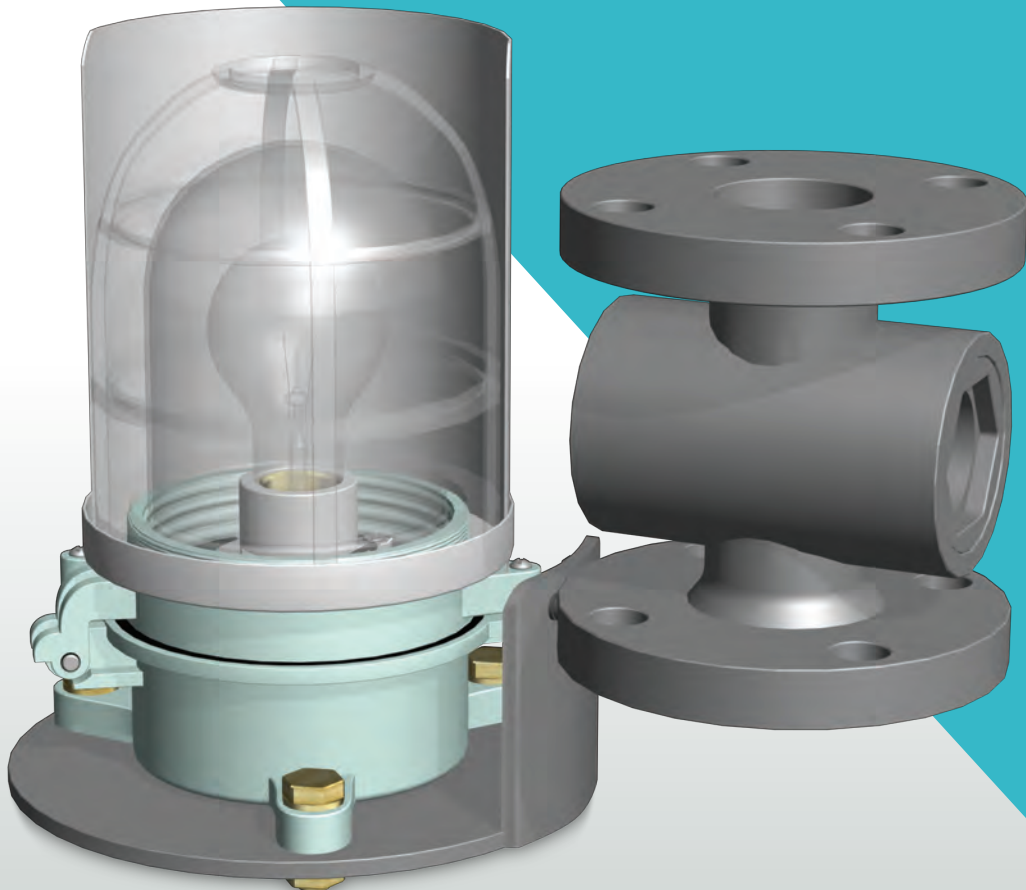
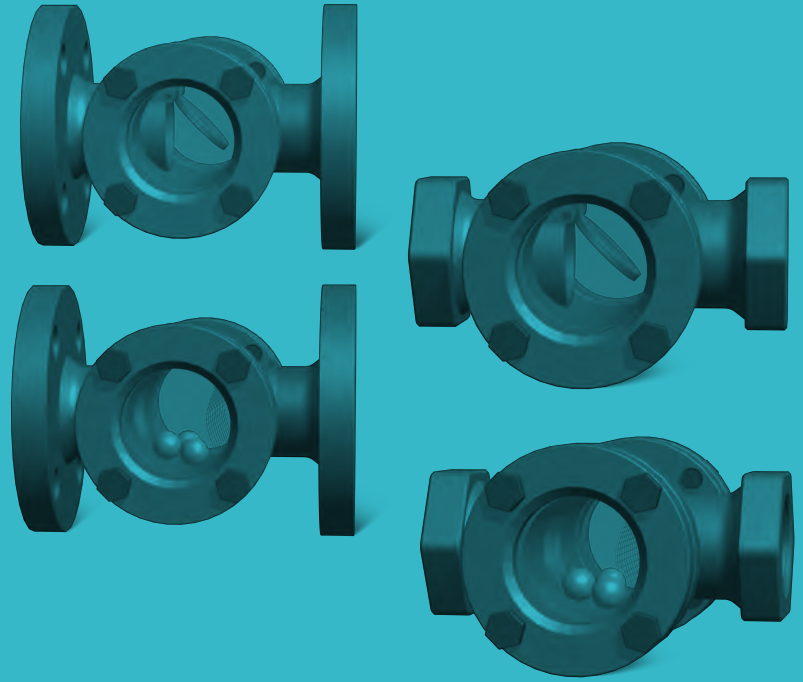
### DIMENSION

UNIT(mm)

SIZE	L	L1	H	PT d
15A	120	155	120	PT 1/2"
20A	120	155	120	PT 3/4"
25A	120	190	185	PT 1"
32A	270	295	240	PT 1 1/4"
40A	270	295	240	PT 1 1/2"
50A	300	310	260	PT 2"

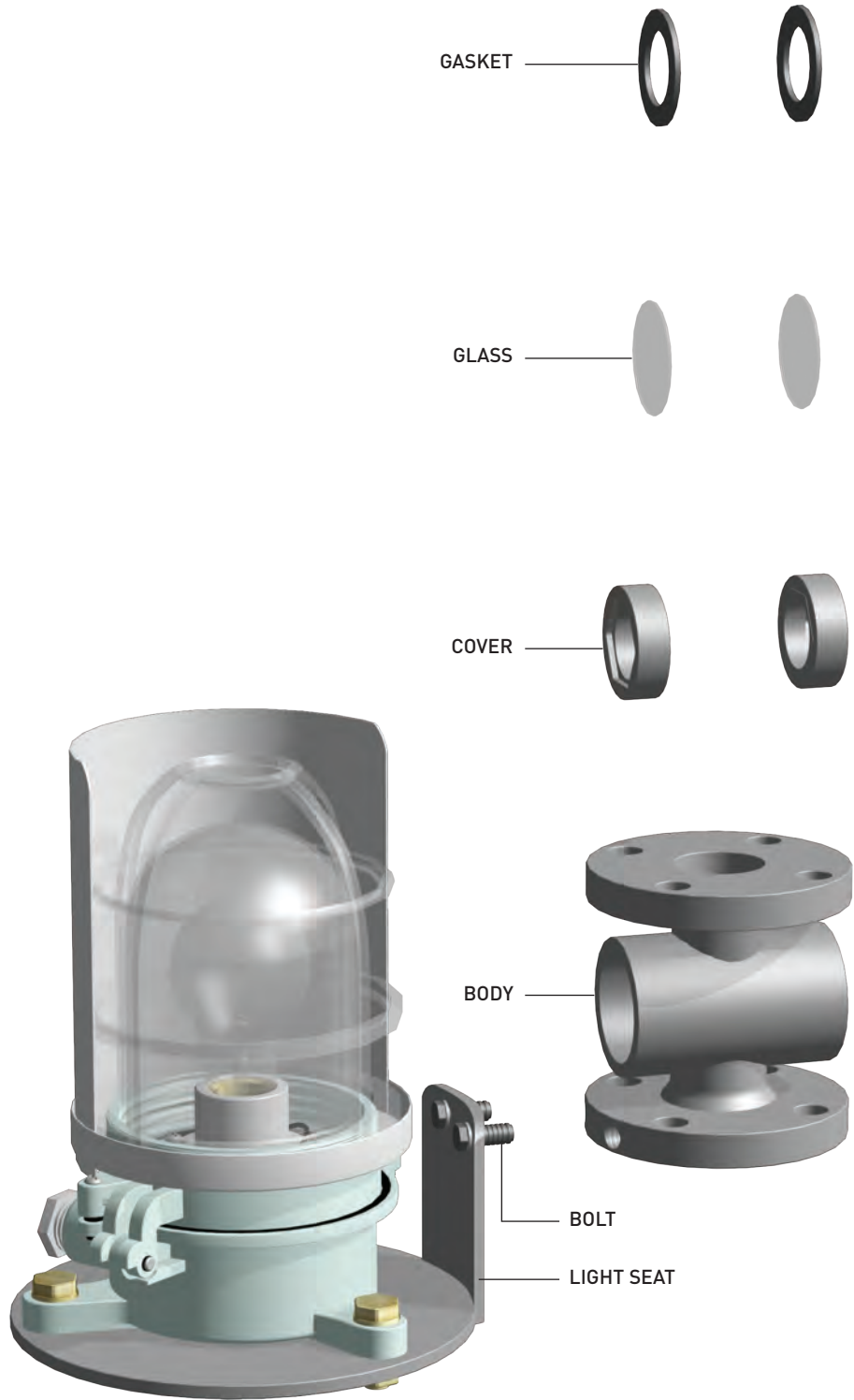
# SIGHT GLASS +

- FLANGED END FLAPPER TYPE
- FLANGED END BALL TYPE
- SCREWED END FLAPPER TYPE
- SCREWED END BALL TYPE



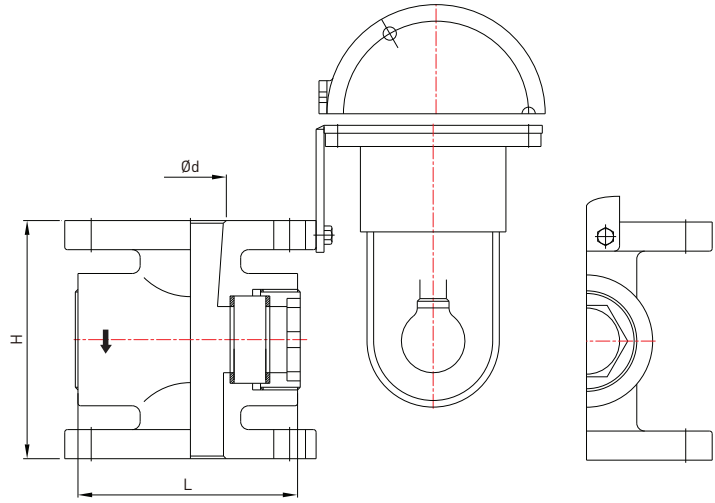
# SIGHT GLASS WITH LIGHT

## PART LIST FOR SIGHT GLASS WITH LIGHT



# DIMENSION LIST

## SIGHT GLASS WITH LIGHT (MODEL : SPDG-5F)



### SPECIFICATION

Working Pressure (kgf/cm <sup>2</sup> )	5	
Working Temperature	MAX. 150°C	
Connection	JIS 5K Flanged	
Type	Light Type	
Materials	Body	Ductile Cast Iron
	Trim	Heat Treatment Glass

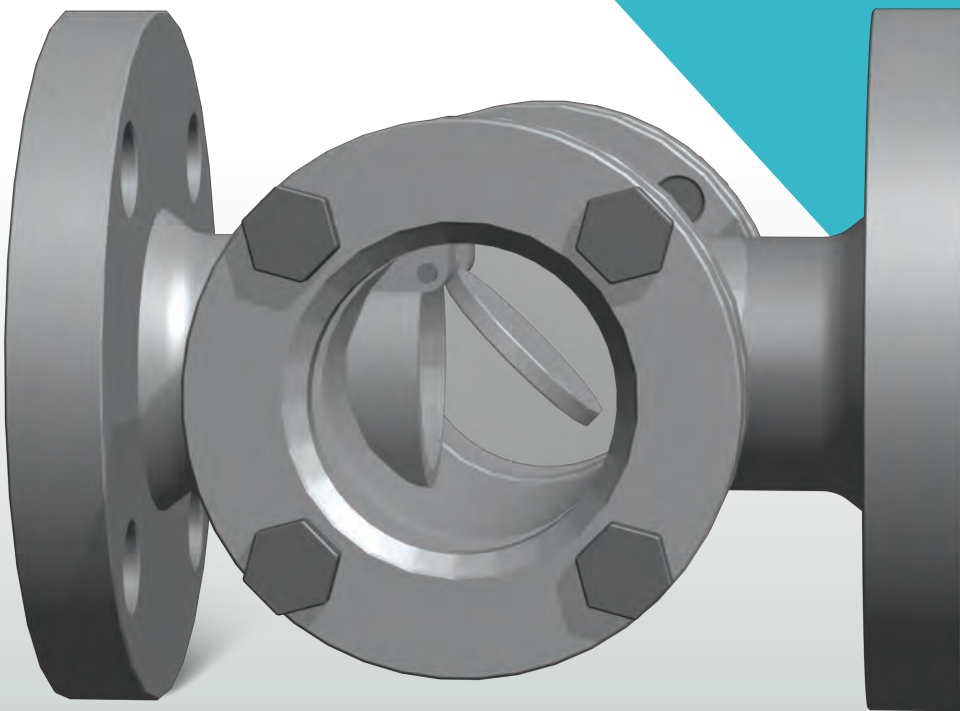
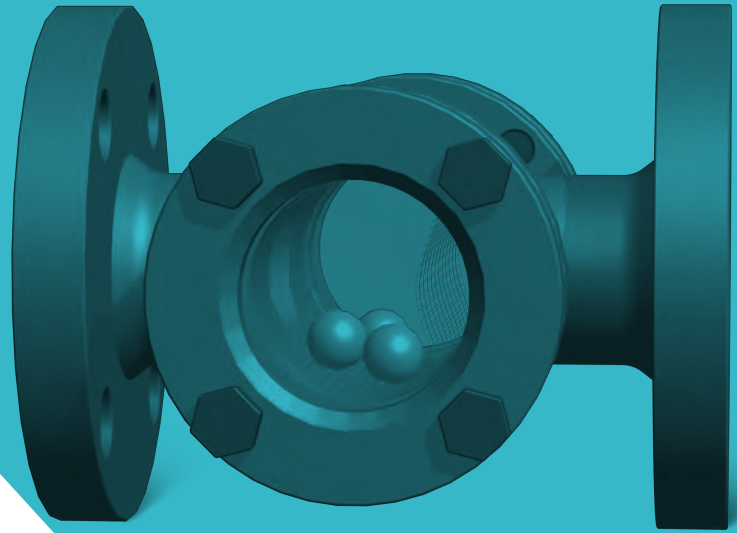
### DIMENSION

UNIT(mm)

SIZE	Ød	L	H	Connection
25A	25	90	86	JIS 5K Flanged
40A	40	100	102	
50A	50	115	115	
65A	65	160	140	
80A	80	180	158	
100A	100	210	178	
125A	125	245	208	
150A	150	310	232	
200A	200	380	294	

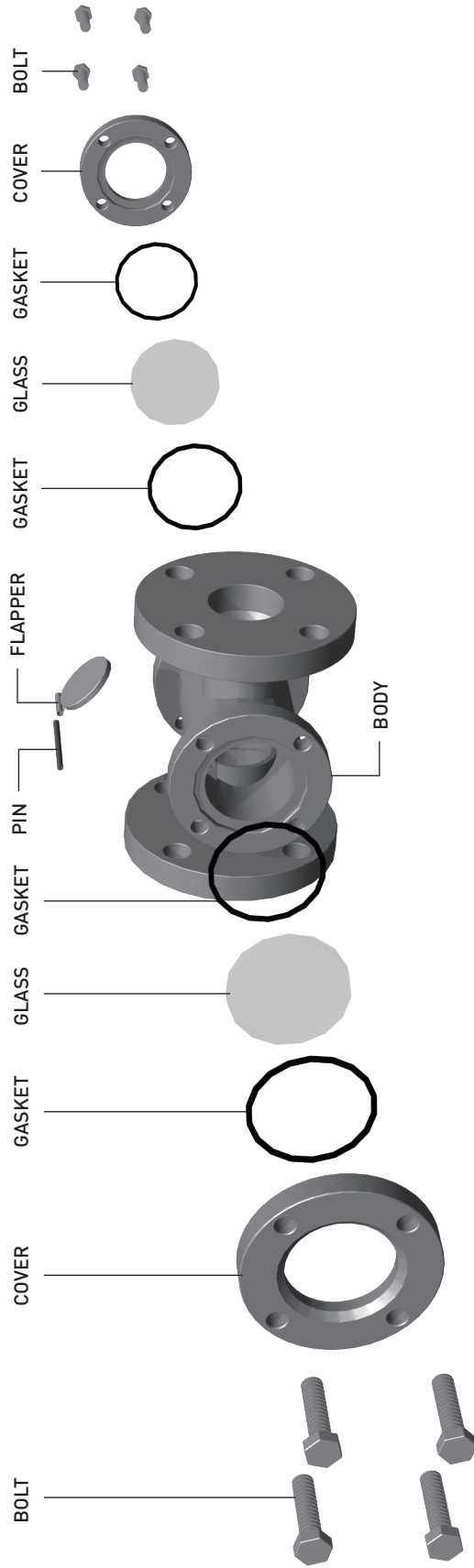
# SIGHT GLASS + FLANGED END - FLAPPER TYPE - BALL TYPE

- PART LIST FOR FLANGED END FLAPPER TYPE
- PART LIST FOR FLANGED END BALL TYPE
- DIMENSION LIST FOR FLANGED END FLAPPER TYPE / BALL TYPE



# FLANGED END FLAPPER TYPE

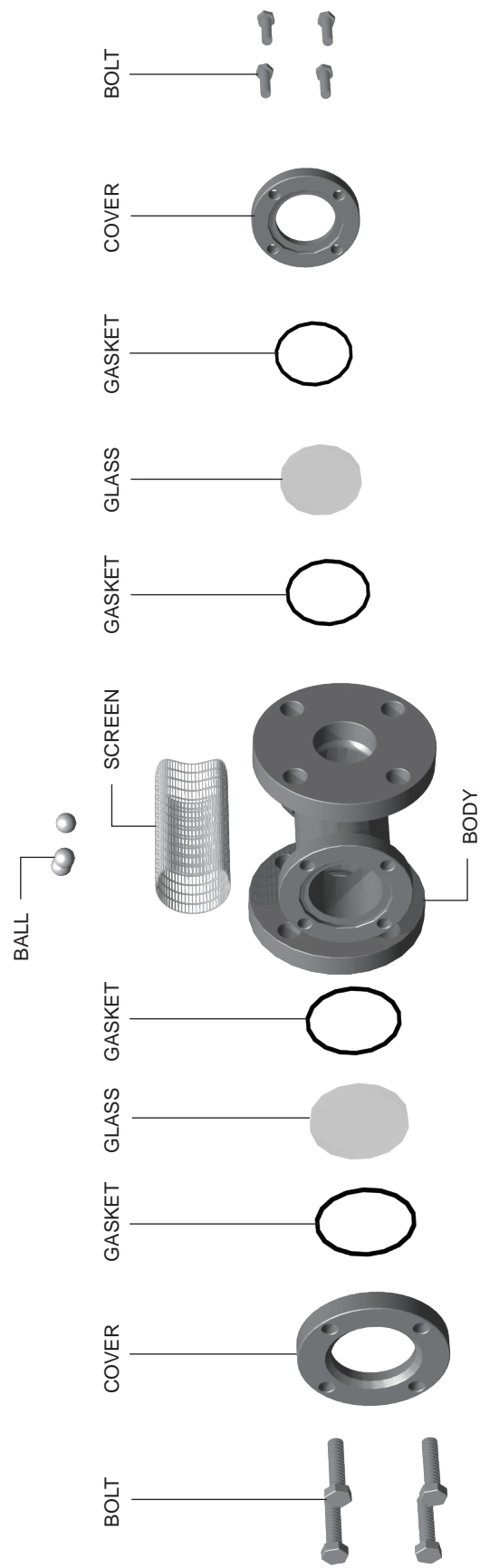
## PART LIST FOR FLANGED END FLAPPER TYPE





# FLANGED END BALL TYPE

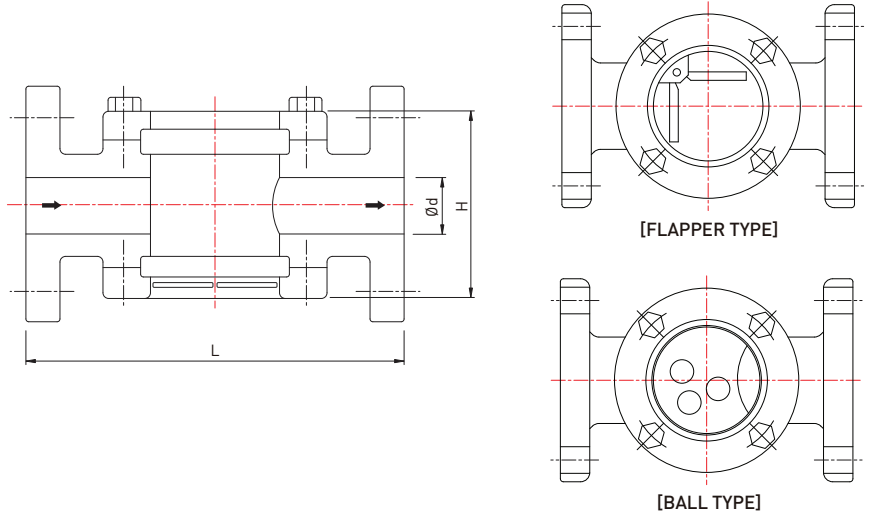
## PART LIST FOR FLANGED END BALL TYPE



# DIMENSION LIST

## FLANGED END (MODEL : SPDG-1F)

- FLAPPER TYPE
- BALL TYPE



### SPECIFICATION

Working Pressure (kgf/cm <sup>2</sup> )	10	
Working Temperature	MAX. 150°C	
Connection	JIS 10K Flanged	
Type	Double Window Type	
Materials	Body	Ductile Cast Iron
	Trim	Stainless Steel

### DIMENSION

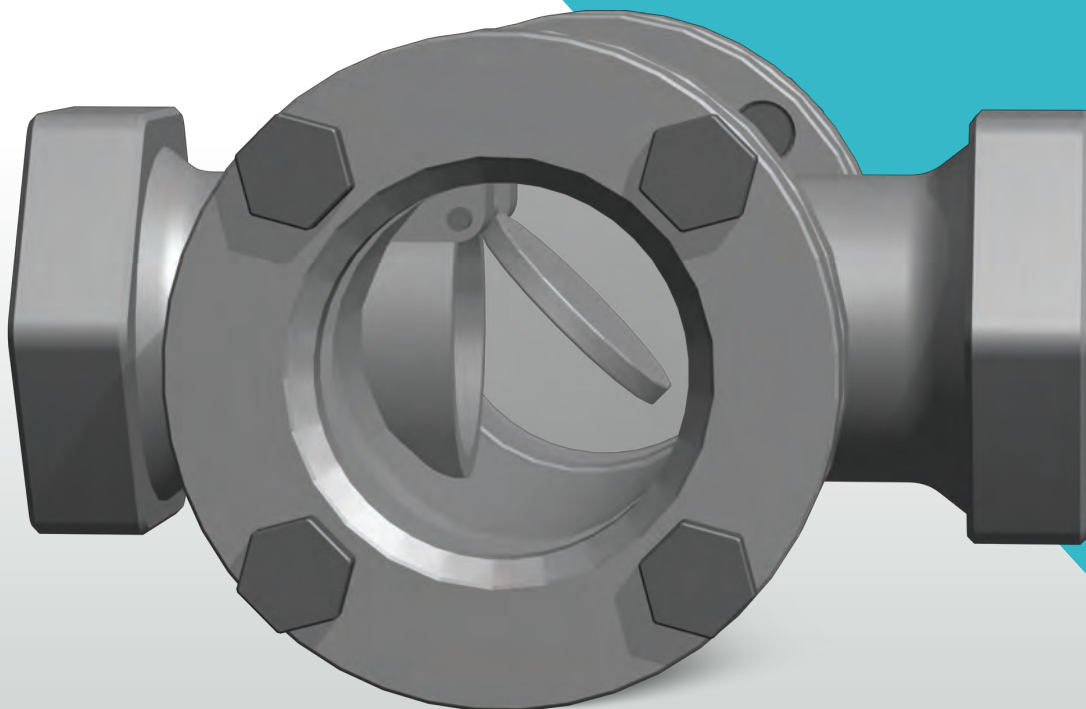
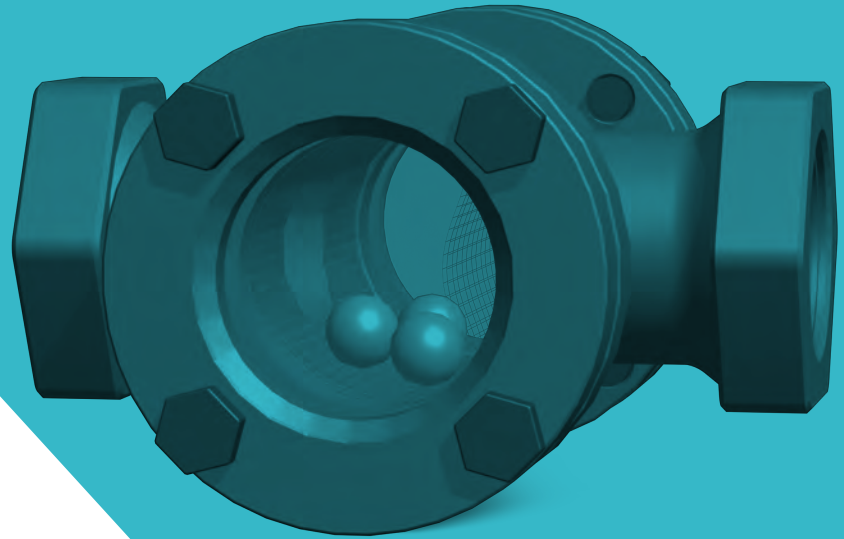
UNIT(mm)

SIZE	Ød	L	H	Connection
15A	PT 1/2"	126	96	JIS 10K Flanged
20A	PT 3/4"	126	96	
25A	PT 1"	126	96	
32A	PT1 1/4"	155	106	
40A	PT1 1/2"	155	106	
50A	PT 2"	161	161	

# SIGHT GLASS + SCREWED END

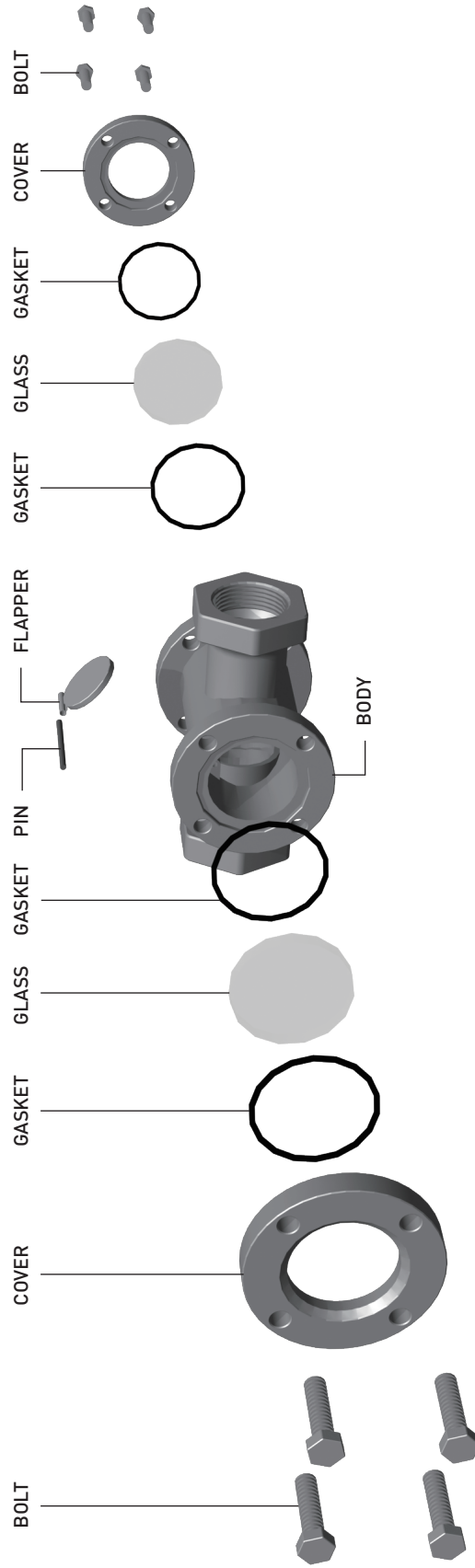
- FLAPPER TYPE
- BALL TYPE

- PART LIST FOR SCREWED END FLAPPER TYPE
- PART LIST FOR SCREWED END BALL TYPE
- DIMENSION LIST FOR SCREWED END FLAPPER TYPE / BALL TYPE



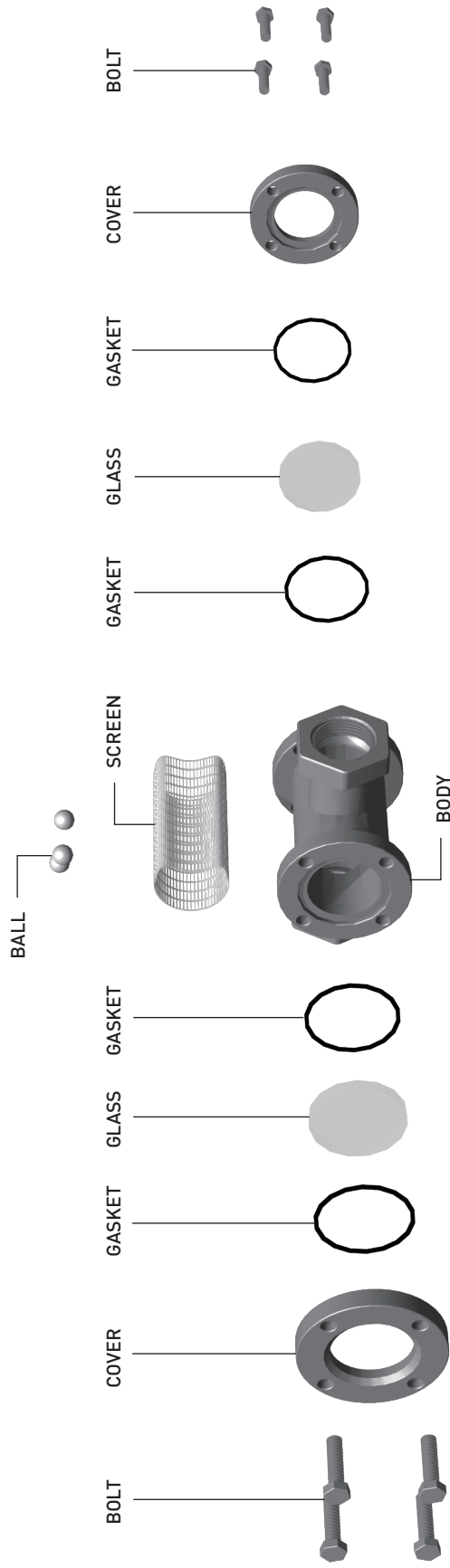
# SCREWED END FLAPPER TYPE

## PART LIST FOR SCREWED END FLAPPER TYPE



# SCREWED END BALL TYPE

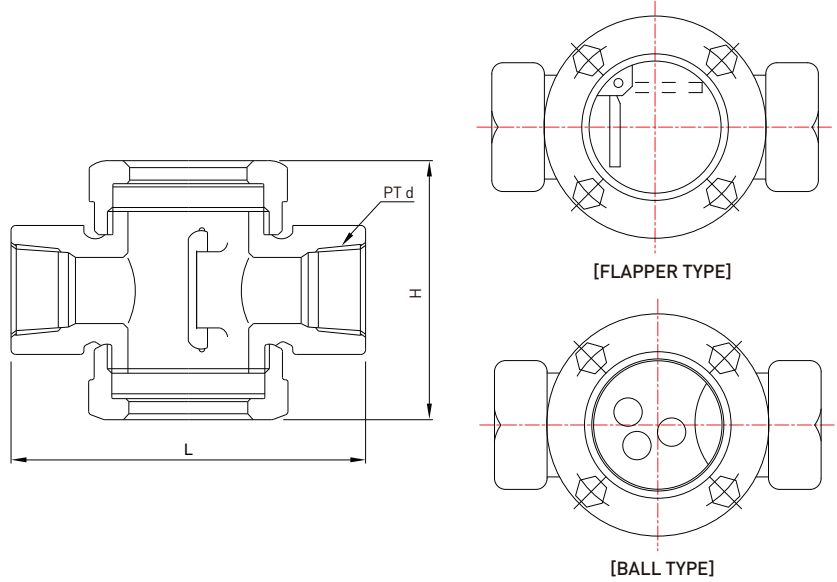
## PART LIST FOR SCREWED END BALL TYPE



# DIMENSION LIST

## SCREWED END (MODEL : SPDG-1S)

- FLAPPER TYPE
- BALL TYPE



### SPECIFICATION

Working Pressure (kgf/cm <sup>2</sup> )	10	
Working Temperature	MAX. 150°C	
Connection	PT Screwed	
Type	Flapper Type	
Materials	Body	Ductile Cast Iron
	Trim	Stainless Steel

### DIMENSION

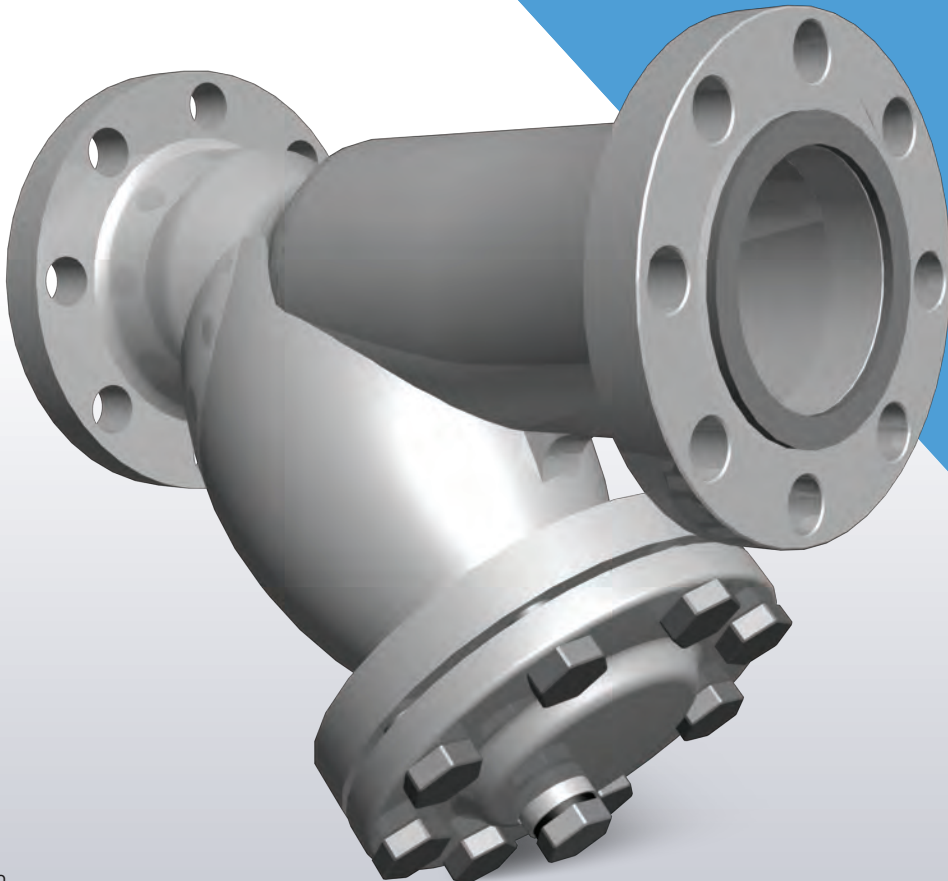
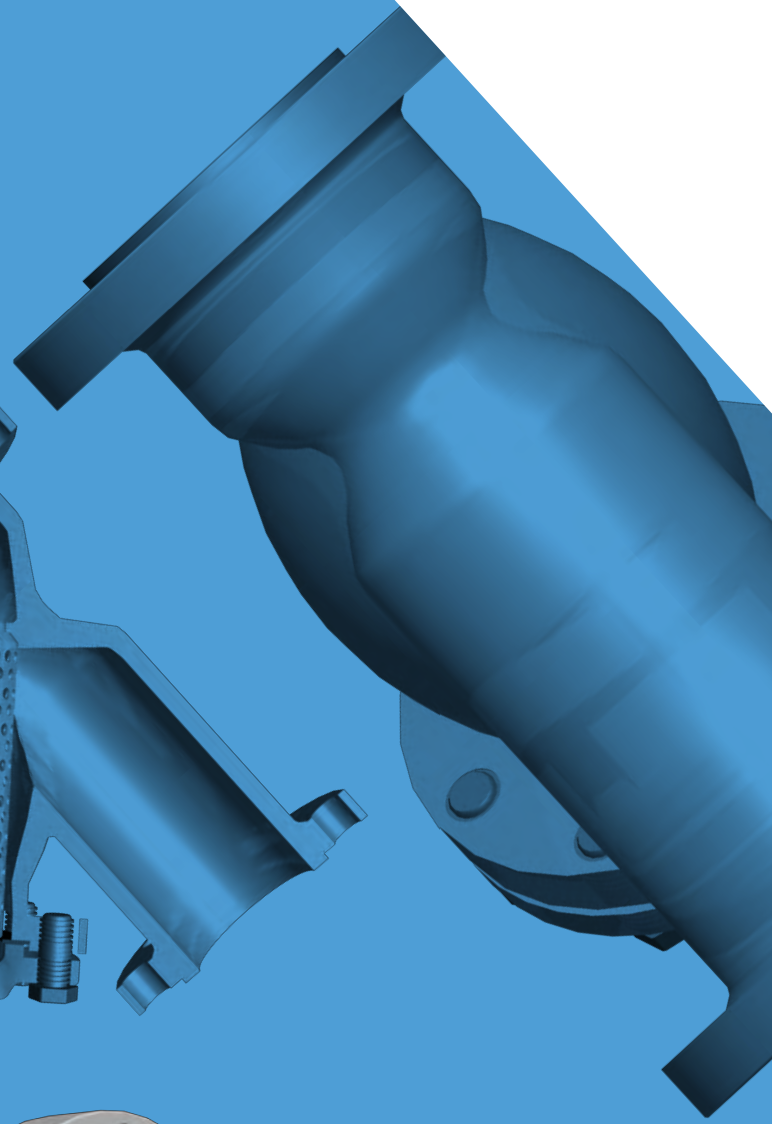
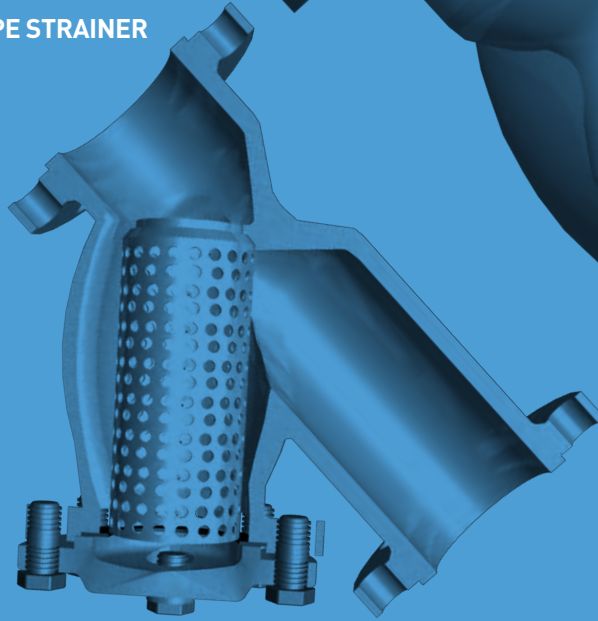
UNIT(mm)

SIZE	PT d	L	H	Connection
15A	PT 1/2"	126	96	PT Screwed
20A	PT 3/4"	126	96	
25A	PT 1"	126	96	
32A	PT 1 1/4"	155	106	
40A	PT 1 1/2"	155	106	
50A	PT 2"	161	161	



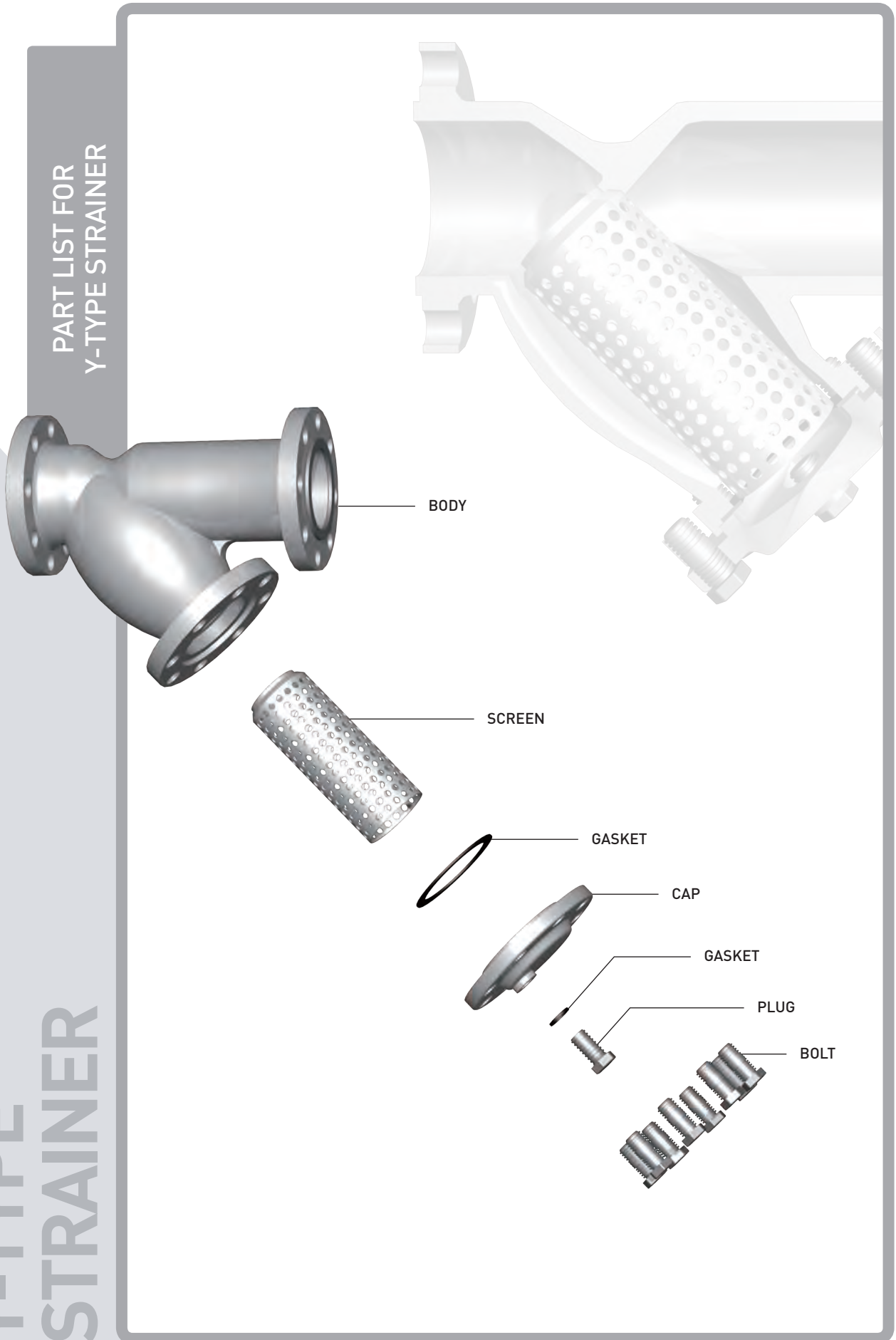
# OTHER VALVES + Y-TYPE STRAINER

- PART LIST FOR Y-TYPE STRAINER
- DIMENSION & WEIGHT LIST FOR Y-TYPE STRAINER



# Y-TYPE STRAINER

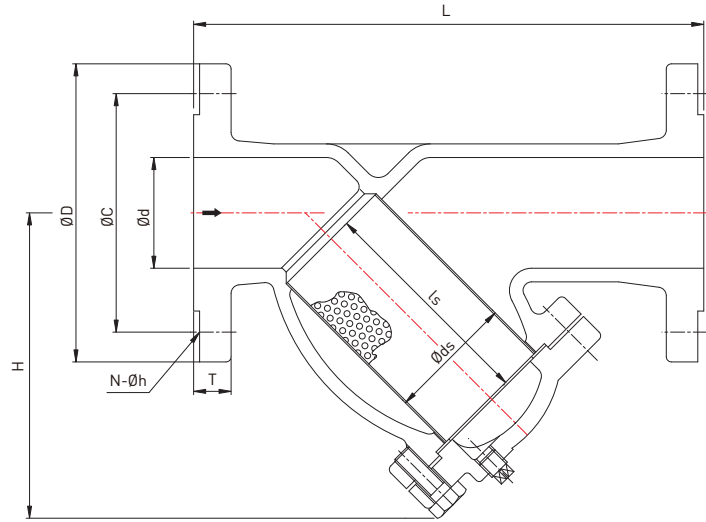
## PART LIST FOR Y-TYPE STRAINER



## DIMENSION & WEIGHT LIST

# Y-TYPE STRAINER

(MODEL : SPFY-1F)



### SPECIFICATION

Working Fluid	Steam, Liquid(Water & Oil)	
Working Temperature	MAX. 220 °C	
Working Pressure (kgf/cm <sup>2</sup> )	10	
Hydrostatic Pressure (kgf/cm <sup>2</sup> )	15 (Holding Time : Min. 5 Minute)	
Material	Body	Ductile Cast Iron / Cast Steel / Cast Bronze
	Filter	Stainless Steel 304 / 316

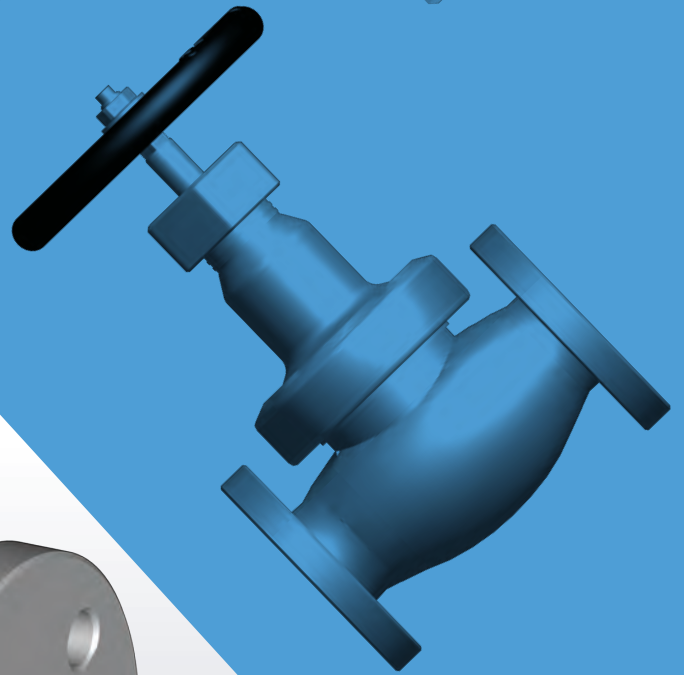
### DIMENSION

UNIT(mm)

SIZE	Ød	L	H	ls	Øds	FLANGE JIS B 2220 10K RF				WEIGHT (kg)
						ØD	ØC	T	N-Øh	
50A	50	240	160	134	52	155	120	16	4-19	9.9
65A	65	255	155	115	75	175	140	18	4-19	11.9
80A	80	290	190	138	89	185	150	18	8-19	16.3
100A	100	330	215	158	109	210	175	18	8-19	25.0
125A	125	400	290	258	141	250	210	20	8-23	42.7
150A	150	470	300	265	161	280	240	22	8-23	55.8
200A	200	570	400	351	219	330	290	22	12-23	98.2
250A	250	640	440	355	264	400	355	24	12-25	182.5
300A	300	785	545	415	324	445	400	24	16-25	244.6
350A	350	880	600	455	359	490	445	26	16-25	305.3

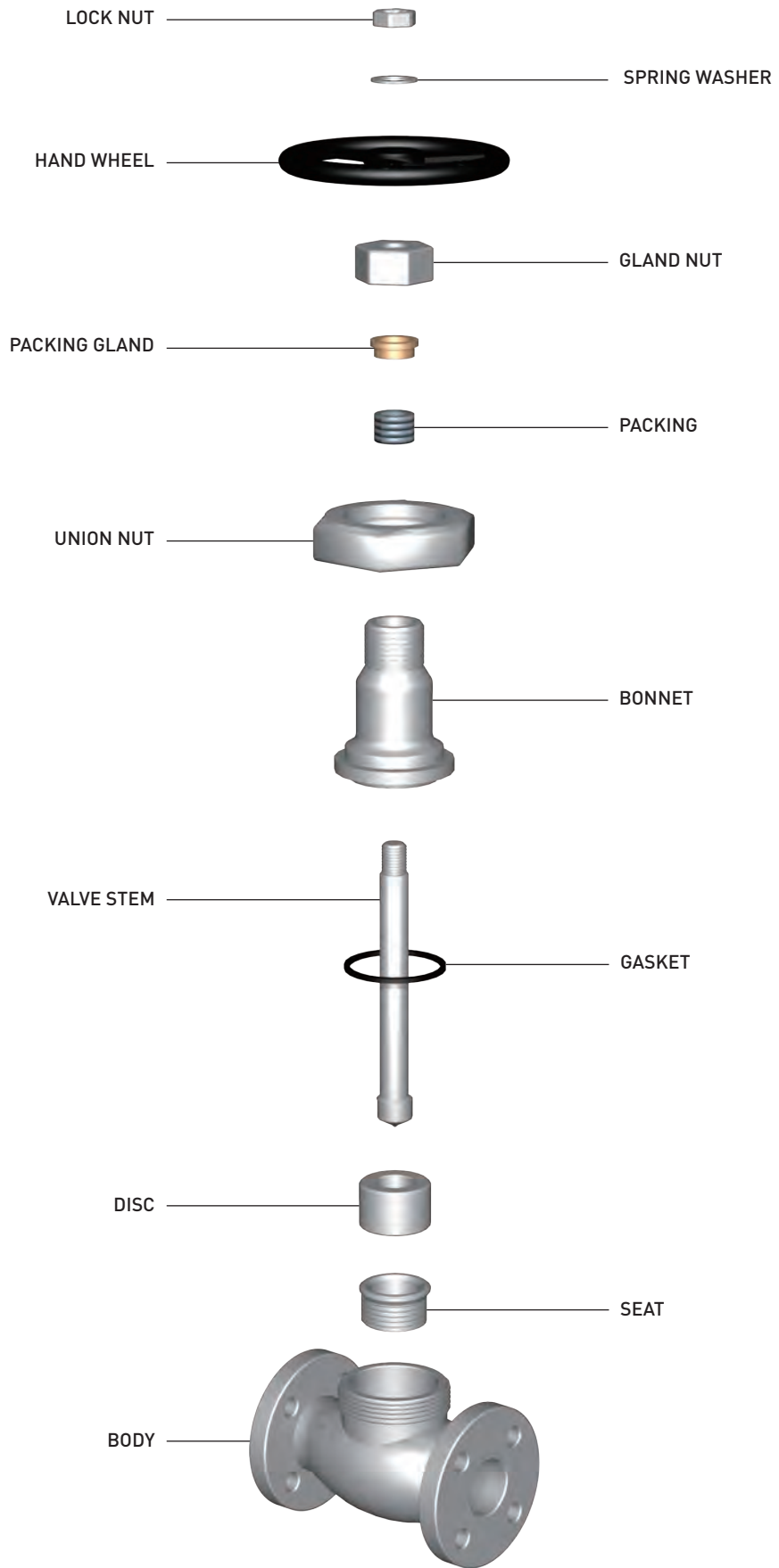
# OTHER VALVES GLOBE VALVE

- PART LIST FOR GLOBE VALVE
- DIMENSION LIST FOR GLOBE VALVE



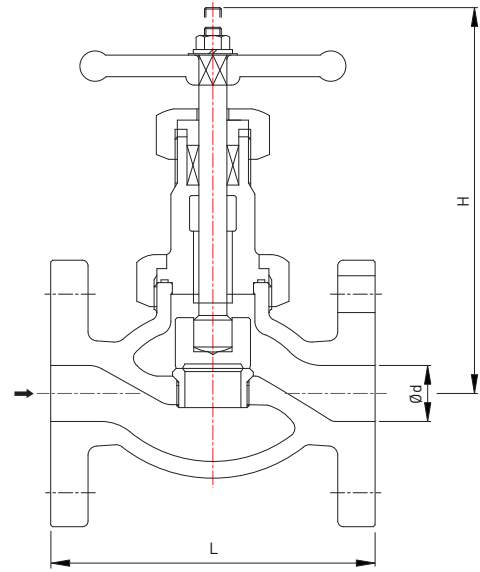
# GLOBE VALVE

## PART LIST FOR GLOBE VALVE



# DIMENSION LIST

## GLOBE VALVE (MODEL : SPGV-1F)



### SPECIFICATION

Working Pressure (kgf/cm <sup>2</sup> )	MAX. 16	
Working Temperature	MAX. 220°C	
Connection	JIS Flanged	
Materials	Body	Ductile Cast Iron
	Trim	Stainless Steel

### DIMENSION

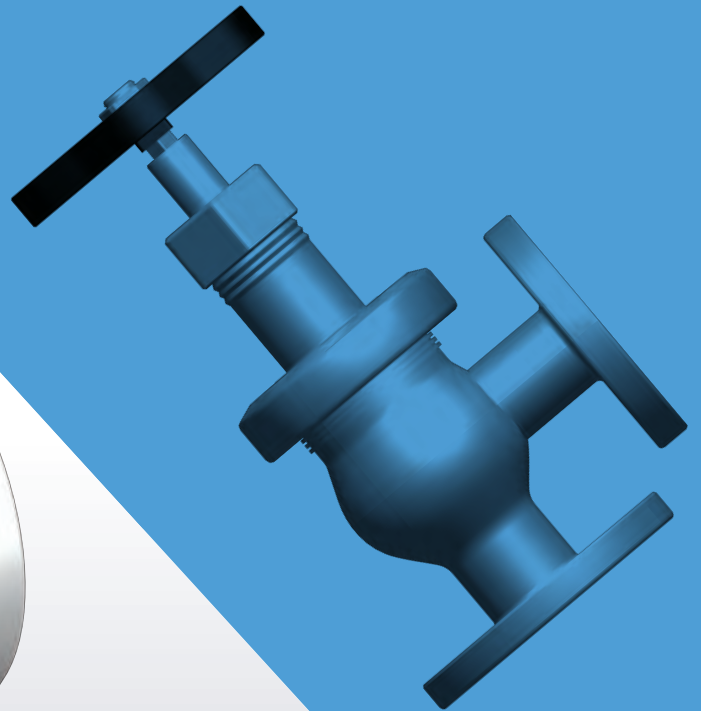
UNIT(mm)

SIZE	Ød	L	H	FLANGE
15A	15	110	135	FLANGE JIS B 2220 10K, 16K FF (KS B 1503 10K, 16K FF)
20A	20	120	145	
25A	25	130	167	
32A	32	160	180	
40A	40	180	195	



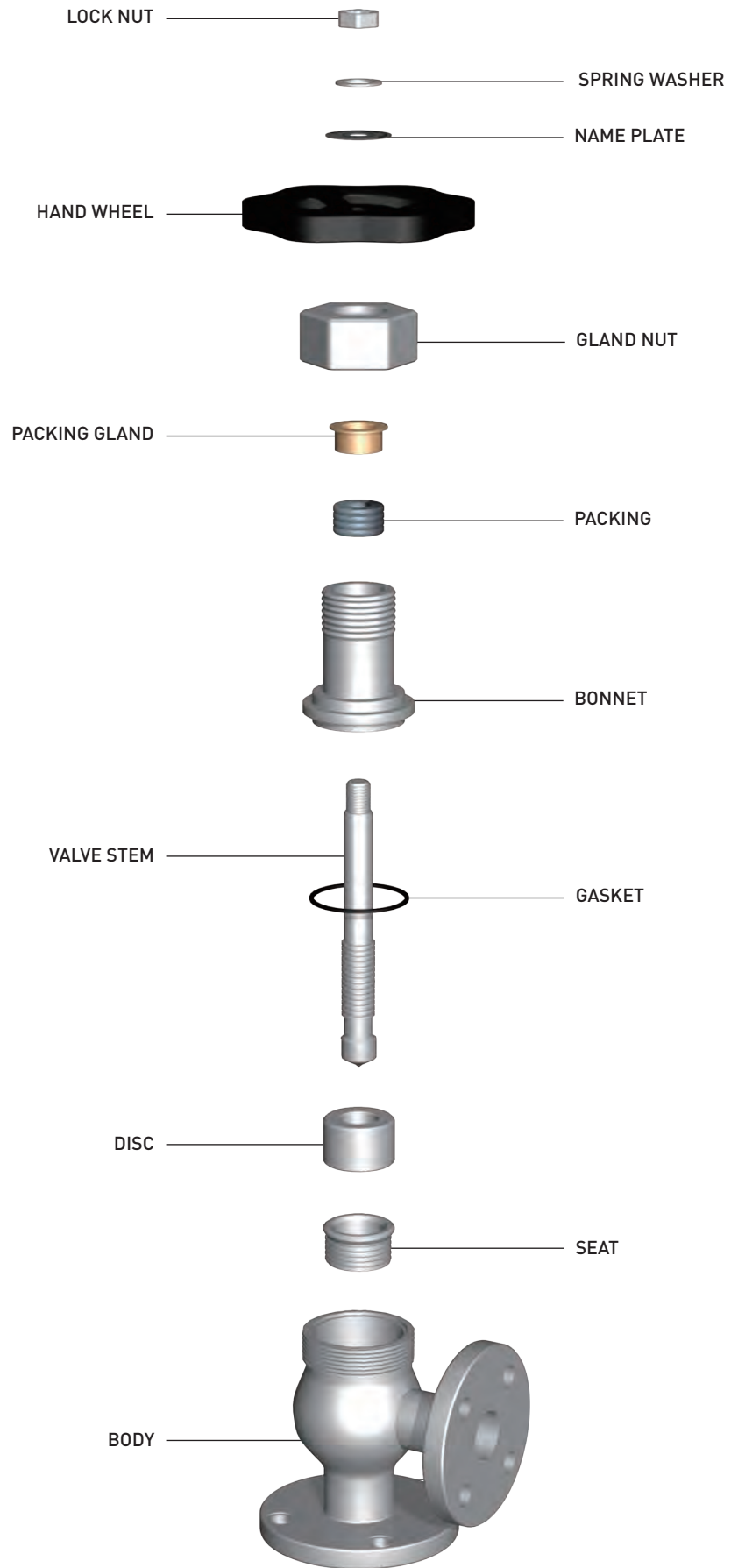
# OTHER VALVES ANGLE VALVE

- PART LIST FOR ANGLE VALVE
- DIMENSION LIST FOR ANGLE VALVE



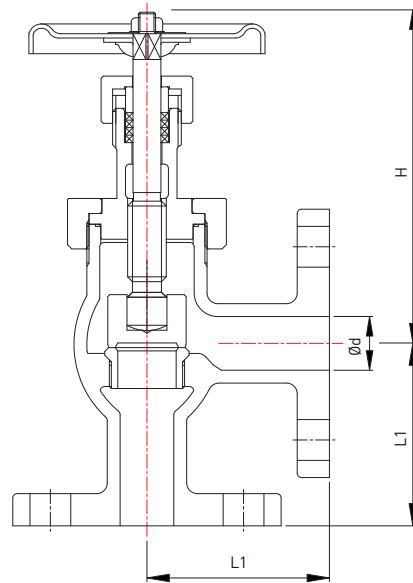
# ANGLE VALVE

## PART LIST FOR ANGLE VALVE



# DIMENSION LIST

## ANGLE VALVE (MODEL : SPAV-1F)



### SPECIFICATION

Working Pressure (kgf/cm <sup>2</sup> )	MAX. 16	
Working Temperature	MAX. 220°C	
Connection	JIS Flanged	
Materials	Body	Ductile Cast Iron
	Trim	Stainless Steel

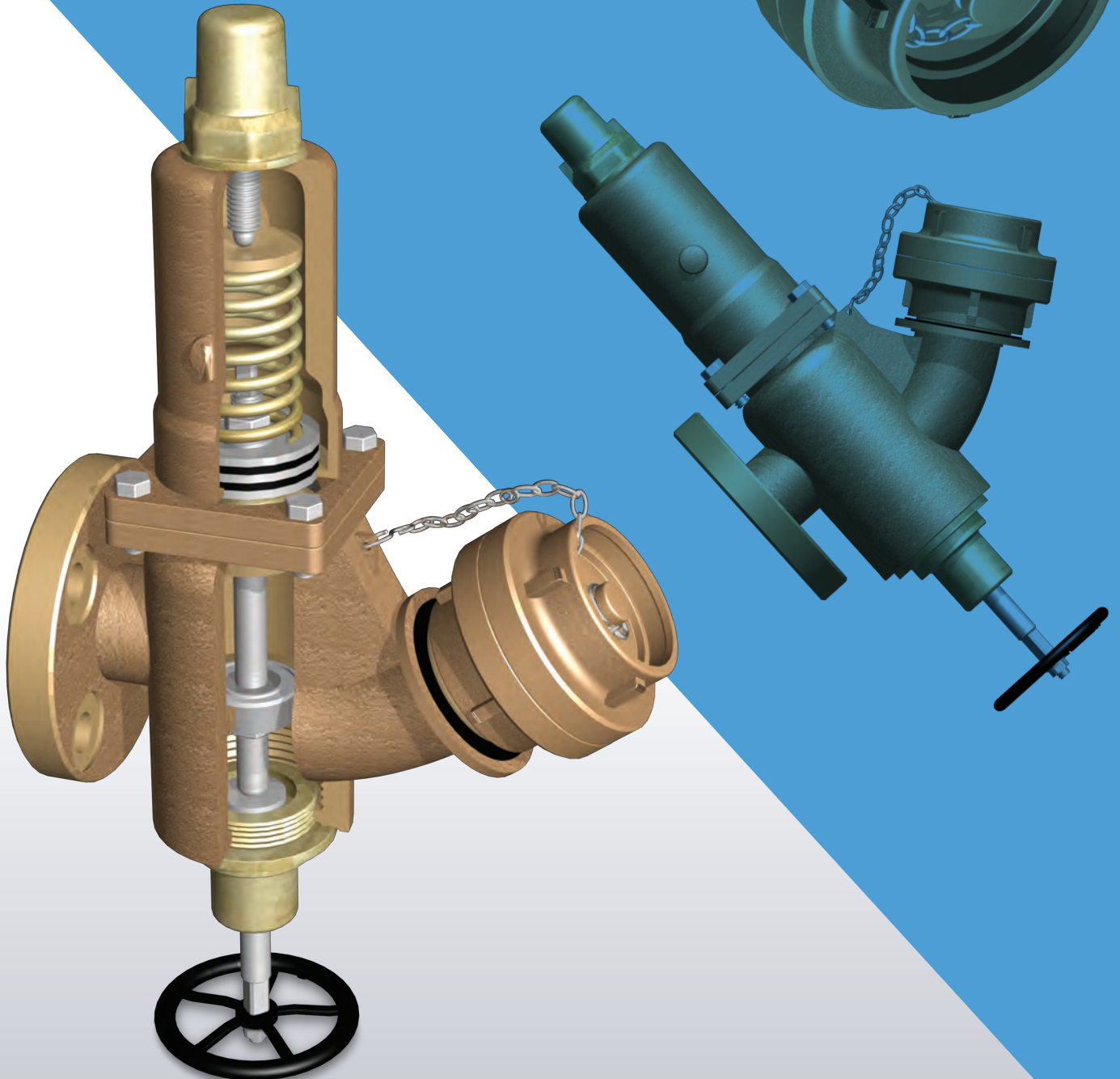
### DIMENSION

UNIT(mm)

SIZE	Ød	L1	H	FLANGE
15A	15	70	135	FLANGE JIS B 2220 16K FF (KS B 1503 10K, 16K FF)
20A	20	75	145	
25A	25	85	167	
32A	32	95	180	
40A	40	100	195	

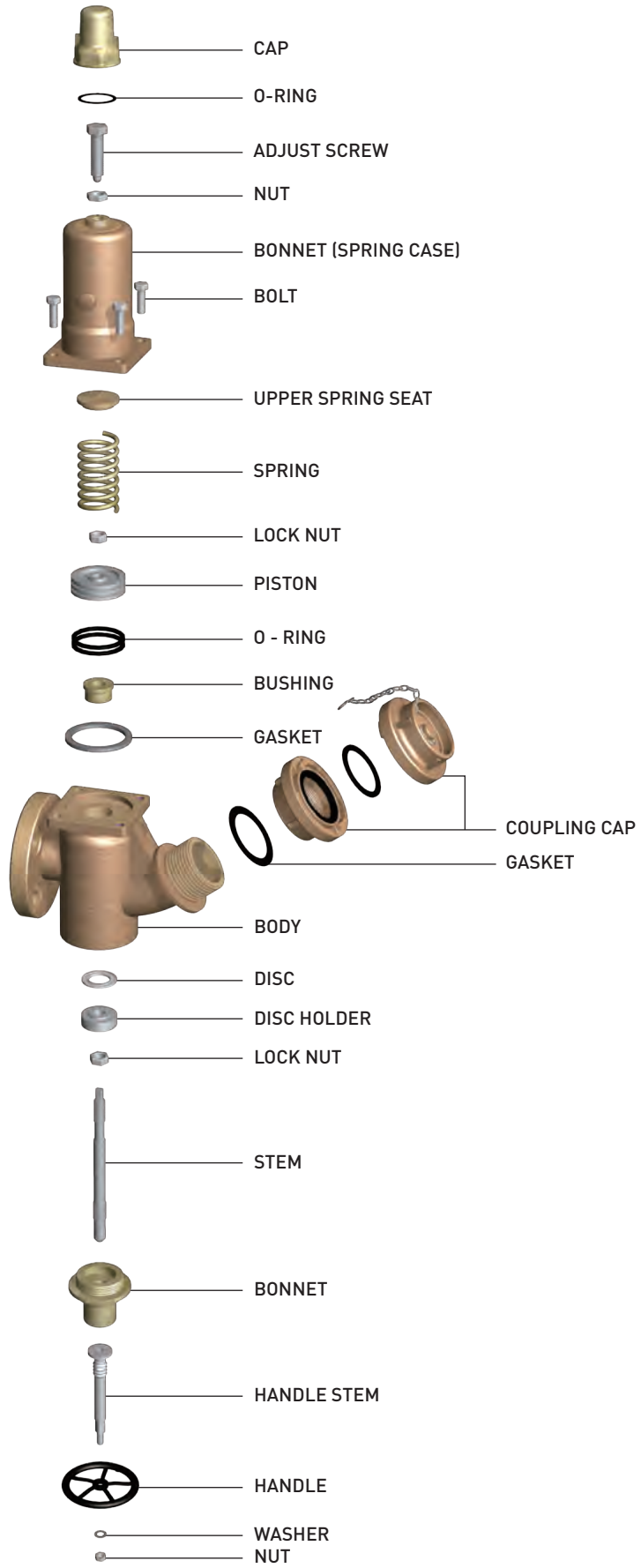
# OTHER VALVES HYDRANT REDUCING VALVE

- PART LIST FOR HYDRANT REDUCING VALVE
- DIMENSION LIST FOR HYDRANT REDUCING VALVE



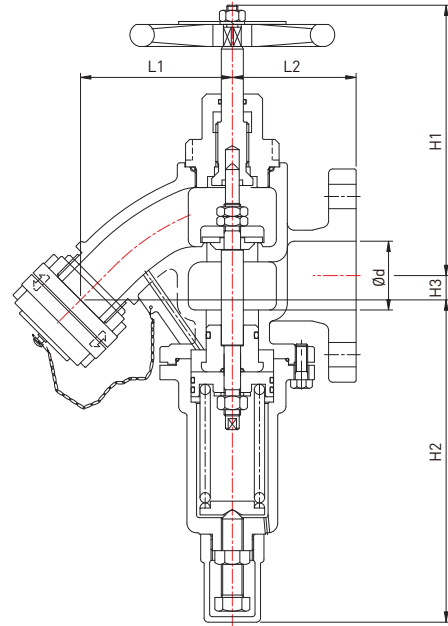
# HYDRANT REDUCING VALVE

## PART LIST FOR HYDRANT REDUCING VALVE



# DIMENSION LIST

## HYDRANT REDUCING VALVE (MODEL : SPHR-1F)



### SPECIFICATION

Inlet Pressure (kgf/cm <sup>2</sup> )	MAX. 20	
Outlet Pressure (kgf/cm <sup>2</sup> )	5 ~ 7	
Working Temperature	MAX. 80°C	
Working Fluid	Sea Water	
Connection	ANSI 150# Flanged	
Valve Type	Globe Type, Angle Type	
Materials	Body	Cast Bronze / Cast Aluminum Bronze
	Trim	Stainless Steel
	Disc	Teflon
	Coupling	Cast Bronze

### DIMENSION

UNIT(mm)

SIZE	Ød	L1	L2	H1	H2	H3	FLANGE
50A	50	110	90	200	243	17	ANSI B 16.5 300LB FF
65A	65	140	117	240	267	23	



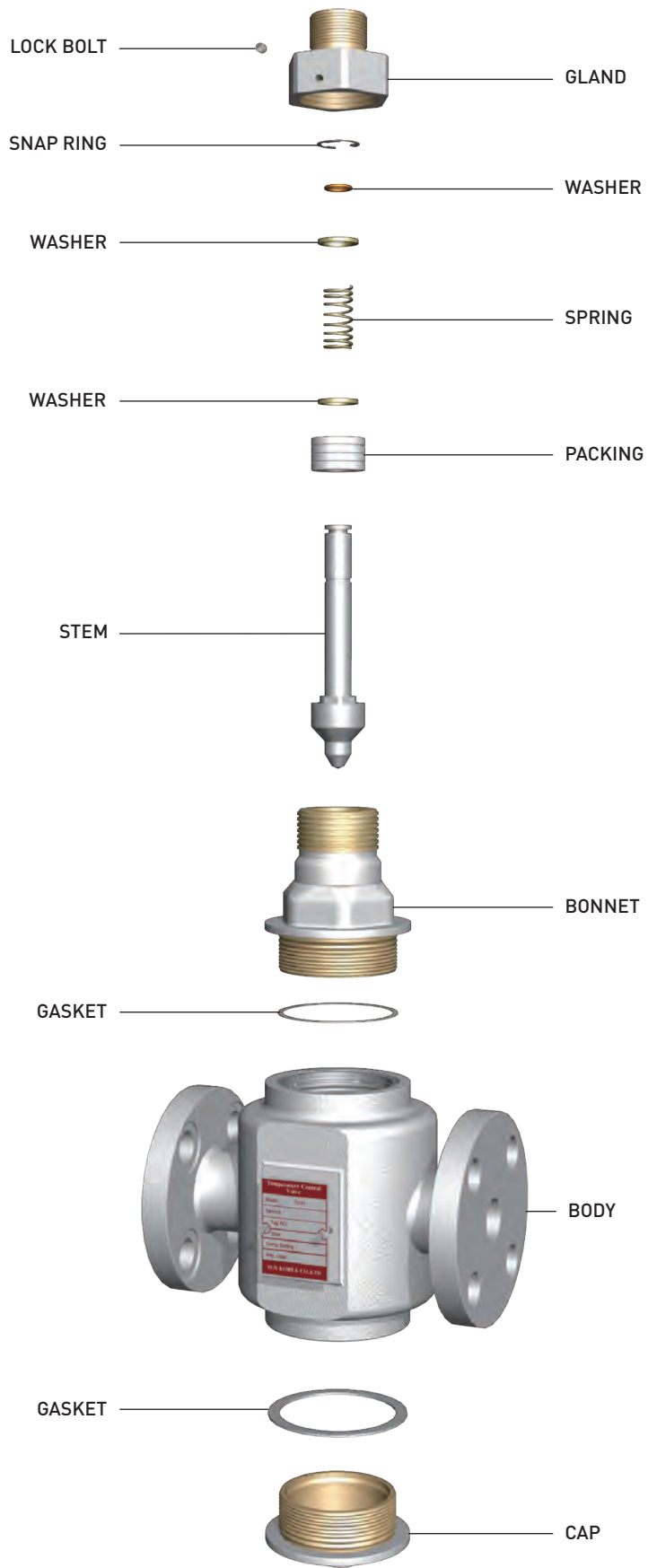
# OTHER VALVES + TEMPERATURE CONTROL VALVE & HEAT SENSOR

- PART LIST FOR TEMPERATURE CONTROL VALVE
- PART LIST FOR HEAT SENSOR
- DIMENSION LIST FOR TEMPERATURE CONTROL VALVE & HEAT SENSOR



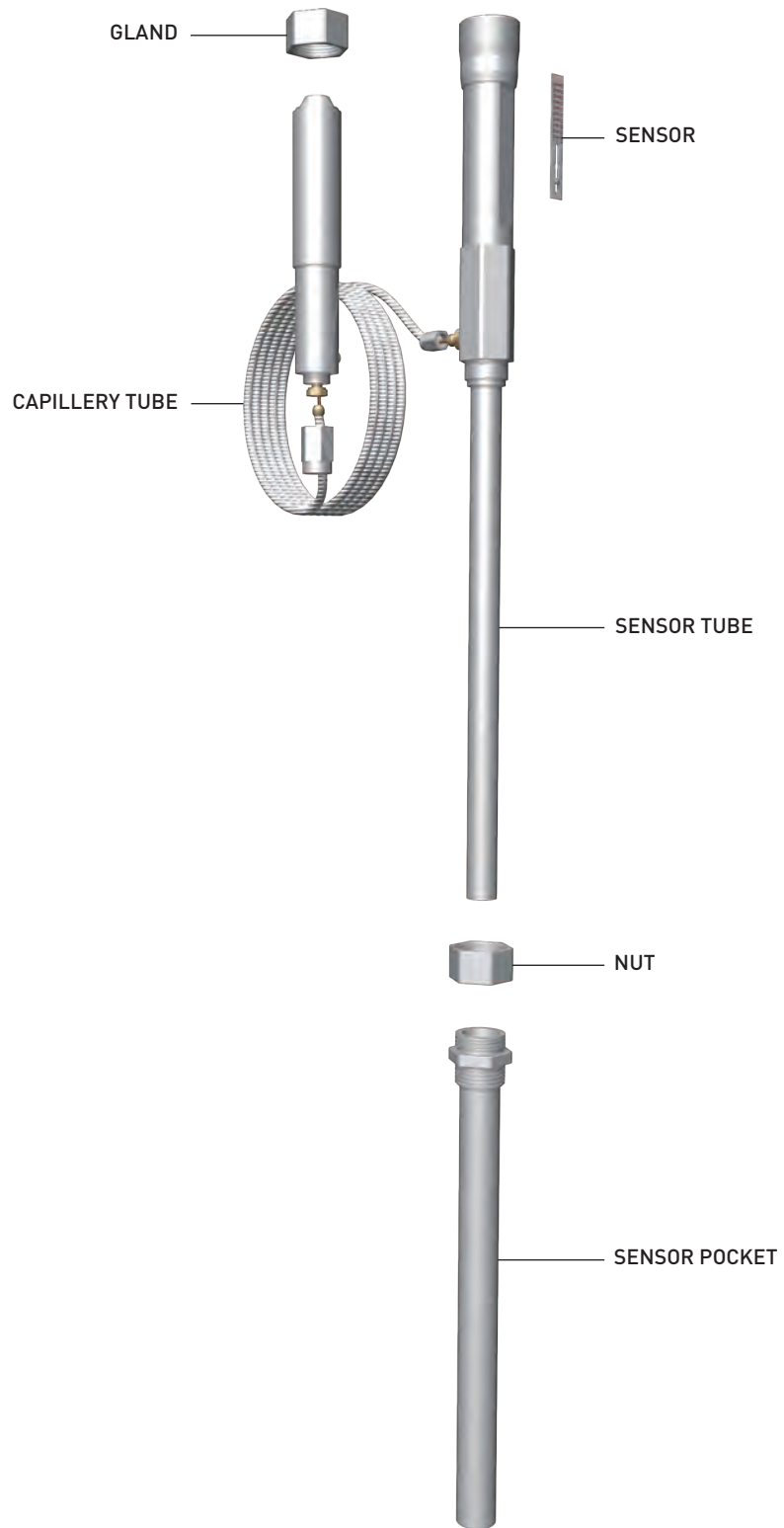
# TEMPERATURE CONTROL VALVE

## PART LIST FOR TEMPERATURE CONTROL VALVE



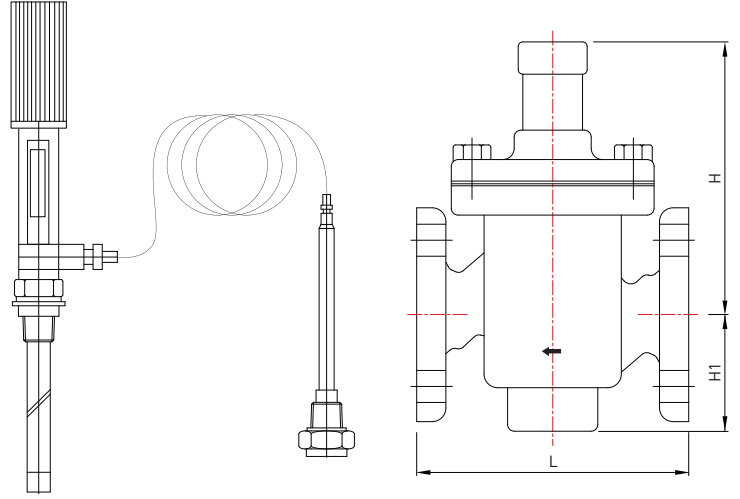
# HEAT SENSOR

## PART LIST FOR HEAT SENSOR



## DIMENSION LIST

# TEMPERATURE CONTROL VALVES + HEAT SENSOR (MODEL : SPHR-1F)



### SPECIFICATION

Working Pressure (kgf/cm <sup>2</sup> )	10 ↓	
Temperature Range	50 ~ 110°C	
Valve Type	Direct Acting Type	
Working Temperature	220°C	
Working Fluid	Steam	
Connection	JIS 10K(16K) Flanged	
Capillary Tube Length	3M, 5M (ORDER PRODUCTION)	
Material	Body	Ductile Cast Iron / Cast Bronze
	Trim	Stainless Steel
	Sensor	Cooper Tube

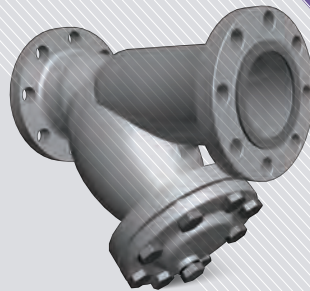
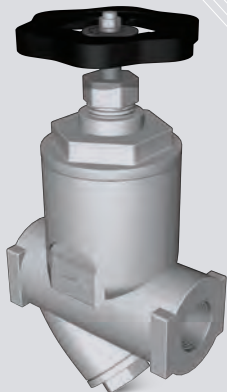
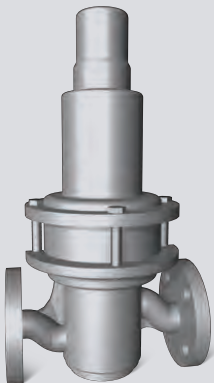
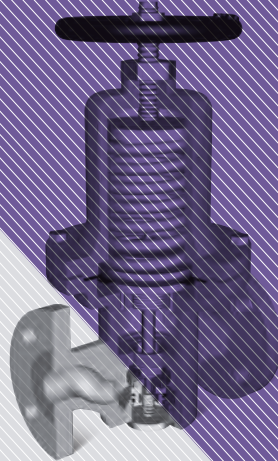
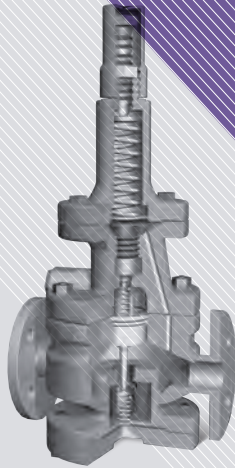
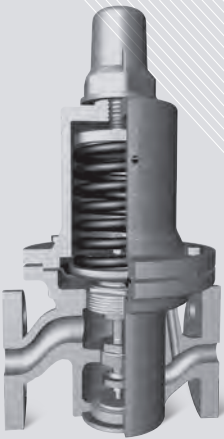
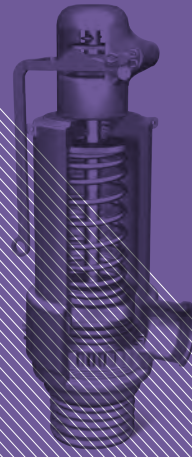
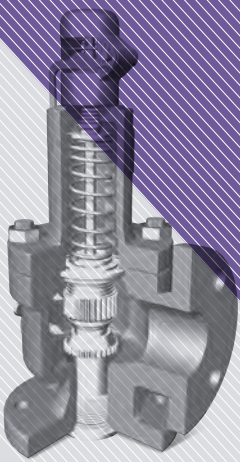
### DIMENSION

SIZE	L	H	H1
15A	135	65	140
20A	140	65	140
25A	140	70	140

UNIT(mm)

# TECHNICAL DATA

- DISCHARGE CAPACITIES
- TABLE FOR SIZING

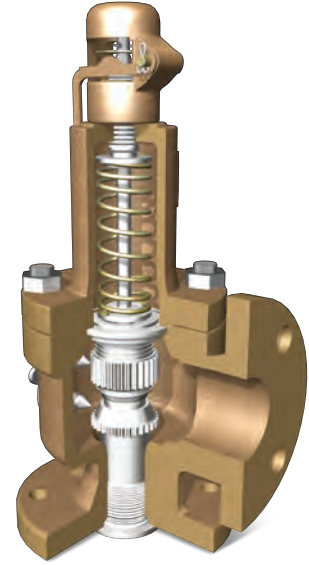




## DISCHARGE CAPACITIES

# FULL BORE TYPE SAFETY VALVE

## [MODEL : SPSF-1S]



S : Saturated steam (kg/h with 3% accumulation)  
 A : Air (kg/h at 20°C with 10% accumulation)  
 W : Water (m³/h at G = 1 with 15% accumulation)

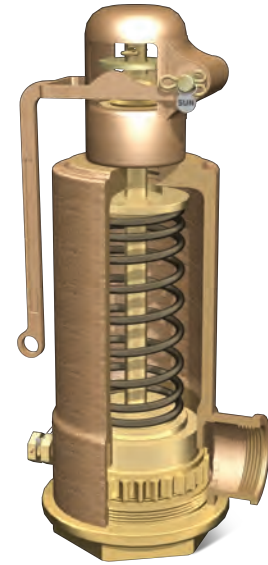
SIZE	Effective Area DI (mm²)	Fluid	Set Pressure (Kgf/cm²)																
			1.0	2.0	3.0	4.0	5.0	6.0	7.0	8.0	9.0	10.0	12.0	14.0	16.0	18.0	19.0	20.0	
15A	103.87	S	91	127	169	212	255	298	341	383	426	469	555	640	726	881	854	897	
		A	143	217	291	365	439	513	587	661	735	809	957	1105	1253	1401	1475	1549	
		W	3.1	4.4	5.4	6.3	7.0	7.7	8.3	8.9	9.4	9.9	10.9	11.8	12.6	13.4	13.7	14.1	
25A	254.47	S	223	311	416	521	626	730	835	940	1045	1150	1360	1569	1779	1989	2094	2199	
		A	351	532	714	895	1076	1258	1439	1620	1802	1983	2346	2709	3071	3434	3615	3797	
		W	7.7	10.9	13.4	15.4	17.3	18.9	20.4	21.8	23.2	24.4	26.8	28.9	30.9	32.8	33.7	34.6	
40A	660.52	S	581	808	1080	1353	1625	1897	2169	2441	2713	2986	3530	4074	4619	5136	5435	5707	
		A	912	1383	1854	2324	2795	3266	3736	4207	4678	5148	6090	7031	7973	8914	9385	9855	
		W	20.2	28.4	34.8	40.1	44.9	49.2	53.1	56.8	60.2	63.5	69.6	75.1	80.3	85.2	87.5	89.8	
50A	1017.88	S	895	1246	1665	2085	2504	2923	3343	3762	4182	4601	5440	6279	7118	7957	8376	8796	
		A	1406	2131	2857	3582	4307	5033	5758	6483	7209	7934	9385	10836	12286	13737	14462	15188	
		W	30.9	43.7	53.6	61.9	69.2	75.8	81.9	87.5	92.8	97.9	107.2	115.8	123.8	131.3	134.9	138.4	
65A	1590.43	S	1399	1947	2602	3257	3913	4568	5223	5879	6534	7190	8500	9811	11722	12433	13088	13743	
		A	2197	3331	4464	5597	6731	7864	8997	10131	11264	12397	14664	16931	19197	21464	22598	23731	
		W	48.3	68.4	83.8	96.7	108.1	111.5	128.0	136.8	145.1	152.9	167.6	181.0	193.5	205.2	210.8	216.3	
80A	2551.76	S	2245	3123	4175	5226	6278	7330	8381	9433	10484	11536	13639	15742	17845	19948	20999	22051	
		A	3526	5344	7162	8981	10799	12618	14436	16254	18073	19891	23528	27165	30802	34438	36257	38075	
		W	70.6	109.7	134.4	155.2	173.5	190.1	205.3	219.5	232.8	245.4	268.9	290.4	310.5	329.3	338.3	347.1	
100A	4185.38	S	3683	5123	6848	8573	10297	12022	13747	15472	17196	18921	22370	25820	29269	32719	34443	36168	
		A	5783	8765	11748	14731	17713	20696	23678	26661	29643	32626	38591	44556	50521	56486	59469	62451	
		W	127.3	180.0	220.5	254.6	284.6	311.8	336.8	360.1	381.9	402.6	441.0	476.3	509.2	540.1	554.9	569.3	
125A	7888.21	S	6238	8677	11598	14519	17440	20361	23282	26202	29123	32044	37886	43728	49570	55411	58332	61253	
		A	9794	14845	19896	24947	29999	35050	40101	45152	50203	55254	65356	75459	85561	95663	100714	105765	
		W	215.6	304.9	373.4	431.2	481.1	528.1	570.4	609.8	646.8	681.8	746.9	806.7	862.4	914.8	939.8	964.3	
150A	9503.31	S	8364	11634	15550	19466	23382	27298	31214	35130	39046	42963	50795	58627	66459	74291	78207	82124	
		A	13131	19903	26676	33448	40220	46992	53764	60536	67308	74081	87625	101169	111713	128258	135030	141802	
		W	289.0	408.8	500.7	578.1	646.4	708.1	746.8	817.6	867.2	914.1	1001.4	1081.6	1156.3	1222.5	1260.1	1292.8	



## DISCHARGE CAPACITIES

# LOW LIFT TYPE SAFETY VALVE

[MODEL : SPSL-1S]



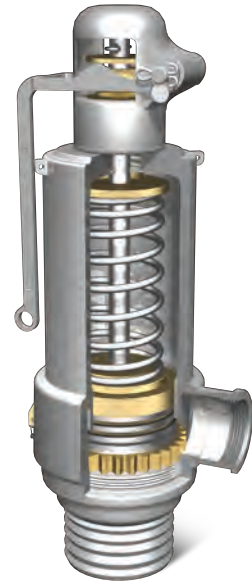
S : Saturated steam (kg/h with 3% accumulation)  
 A : Air (kg/h at 20°C with 10% accumulation)  
 W : Water (m<sup>3</sup>/h at G = 1 with 15% accumulation)

SIZE	Effective Area DI (mm <sup>2</sup> )	Fluid	Set Pressure [Kgf/cm <sup>2</sup> ]																
			0.3	0.4	0.5	0.6	0.7	0.8	0.9	1.0	2.0	3.0	4.0	5.0	6.0	7.0	8.0	9.0	10.0
15A ~ 20A	62.83	S	41.90	44.69	47.48	50.27	53.07	55.86	58.65	61.45	85.47	114.24	143.00	171.77	200.54	229.31	258.08	286.85	315.61
		A	61.65	66.62	71.60	76.57	81.55	86.52	91.50	96.47	146.22	195.97	245.72	295.47	345.22	394.97	444.72	494.47	544.23
		W	0.79	0.91	1.01	1.11	1.20	1.28	1.36	1.43	2.03	2.48	2.87	3.21	3.51	3.79	4.05	4.30	4.53
25A	133.52	S	89.03	94.96	100.90	106.83	112.77	118.70	124.64	130.58	181.62	242.75	303.88	365.02	426.15	487.28	548.42	609.55	670.68
		A	131.00	141.57	152.14	162.71	173.28	183.86	194.43	205.00	310.72	416.44	522.16	627.88	733.60	839.32	945.04	1050.76	1156.48
		W	1.67	1.93	2.15	2.36	2.55	2.72	2.89	3.05	4.31	5.28	6.09	6.81	7.46	8.06	8.62	9.14	9.63
32A	221.17	S	147.47	157.30	167.14	176.97	186.80	196.63	206.46	216.29	300.85	402.11	503.37	604.64	705.90	807.17	908.43	1009.70	1110.96
		A	216.99	234.50	252.02	269.53	287.04	304.55	322.06	339.58	514.70	689.82	864.94	1040.06	1215.19	1390.31	1565.43	1740.55	1915.67
		W	2.76	3.19	3.57	3.91	4.22	4.51	4.79	5.05	7.14	8.74	10.09	11.28	12.36	13.35	14.27	15.14	15.96
40A	289.03	S	192.72	205.57	218.42	231.26	244.11	256.96	269.81	282.66	393.15	525.48	657.82	790.15	922.49	1054.82	1187.16	1319.49	1451.83
		A	283.57	306.45	329.34	352.22	375.11	398.00	420.88	443.77	672.62	901.47	1130.32	1359.18	1588.03	1816.88	2045.73	2274.58	2503.44
		W	3.61	4.17	4.66	5.11	5.52	5.90	6.26	6.59	9.33	11.42	13.19	14.74	16.15	17.45	18.65	19.76	20.85
50A	392.70	S	261.85	279.31	296.76	314.22	331.67	349.13	366.59	384.04	534.17	713.97	893.78	1073.58	1253.38	1433.18	1612.99	1792.79	1972.59
		A	385.28	416.38	447.47	478.57	509.66	540.75	571.85	602.94	913.88	1224.82	1535.76	1846.71	2157.65	2468.59	2779.53	3090.47	3401.41
		W	4.91	5.67	6.34	6.94	7.50	8.01	8.50	8.96	12.67	15.52	17.92	20.03	21.95	23.70	25.34	26.88	28.33

## DISCHARGE CAPACITIES

# HIGH LIFT TYPE SAFETY VALVE

### [MODEL : SPSH-3S]



S : Saturated steam (kg/h with 3% accumulation)  
 A : Air (kg/hat 20°C with 10% accumulation)  
 W : Water (m³/h at G = 1 with 15% accumulation)

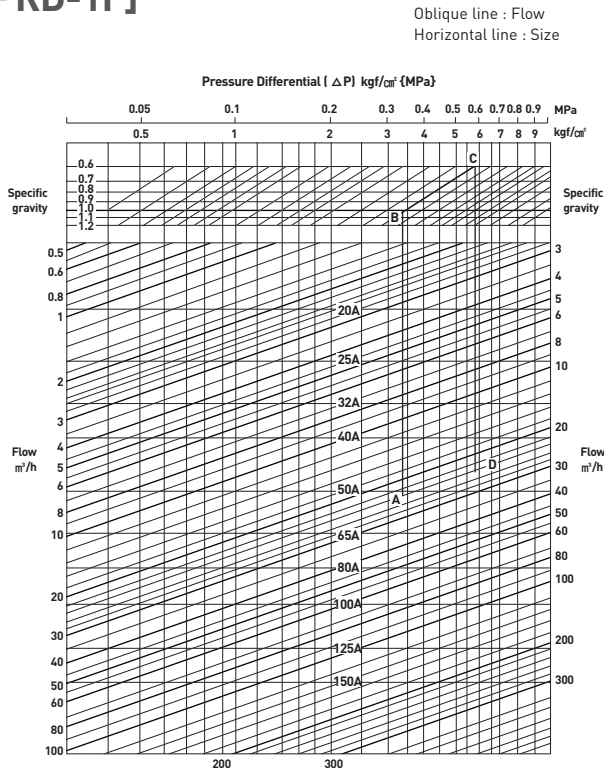
SIZE	Effective Area DI (mm²)	Fluid	Set Pressure (Kgf/cm²)															
			11.0	12.0	13.0	14.0	15.0	16.0	17.0	18.0	19.0	20.0	21.0	22.0	24.0	26.0	28.0	30.0
15A ~ 20A	35.19	S	164	178	192	206	219	233	247	261	274	288	302	316	343	371	398	426
		A	283	307	331	354	378	402	426	449	473	497	521	545	592	640	687	735
		W	3.55	3.71	3.86	4.00	4.15	4.28	4.41	4.54	4.67	4.79	4.90	5.02	5.24	5.46	5.66	5.86
25A	71.63	S	335	363	391	419	447	475	503	531	559	587	615	643	699	755	811	867
		A	576	625	673	722	770	819	867	916	964	1012	1061	1109	1206	1303	1401	1497
		W	7.23	7.55	7.86	8.15	8.44	8.72	8.98	9.24	9.50	9.74	9.99	10.22	10.67	11.11	11.53	11.93
32A ~ 40A	130.69	S	613	665	716	767	818	869	920	971	1022	1073	1125	1176	1278	1380	1482	1585
		A	1055	1144	1232	1320	1409	1497	1586	1674	1762	1851	1939	2028	2204	2381	2558	2735
		W	12.02	12.56	13.07	13.56	14.04	14.50	14.95	15.38	15.80	16.21	16.61	17.00	17.76	18.48	19.18	19.86
50A	217.71	S	1019	1104	1189	1274	1359	1444	1530	1615	1700	1785	1870	1955	2126	2296	2466	2637
		A	1753	1900	2048	2195	2342	2489	2637	2784	2931	3078	3226	3373	3667	3962	4256	4551
		W	21.97	22.94	23.88	24.78	25.65	26.49	27.31	28.10	28.87	29.62	30.35	31.06	32.44	33.77	35.04	36.27

## TABLE FOR SIZING

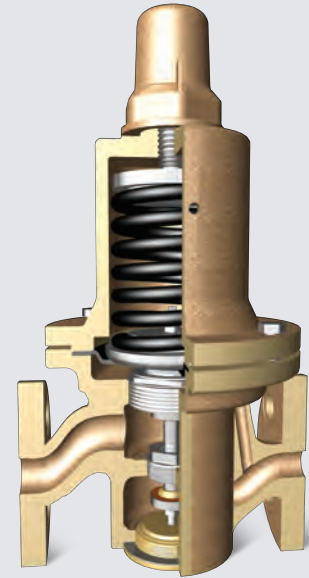
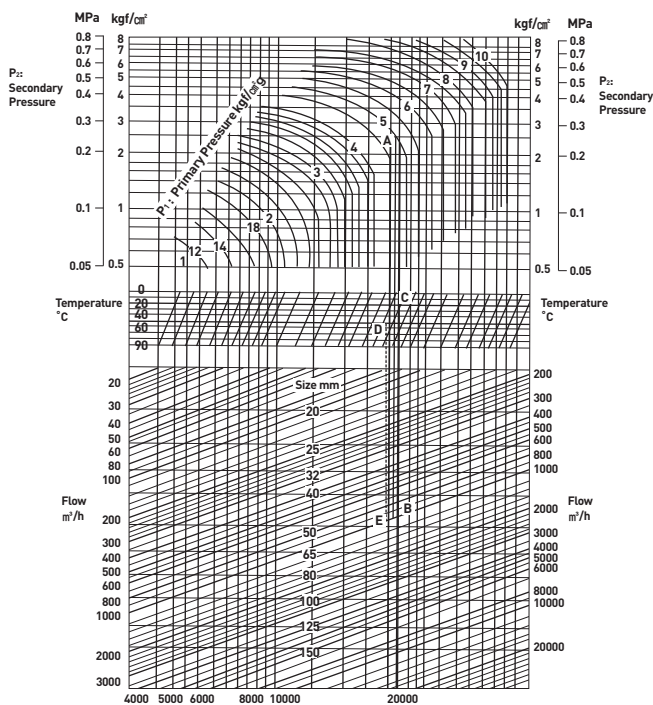
# PRESSURE REDUCING VALVE

### [MODEL : SPRD-1F]

SPRD-1F  
(FOR WATER)



SPRD-1F  
(FOR AIR)



### HOW TO USE THE CHART

#### Where,

Primary pressure : 5.5kgf/cm<sup>2</sup> (0.55MPa)  
 Secondary pressure : 2kgf/cm<sup>2</sup> (0.2MPa)  
 Pressure differential : 3.5kgf/cm<sup>2</sup> (0.35MPa)  
 Specific gravity : 1 (water)  
 Flow : 24 m<sup>3</sup>/h

Obtain a cross point "A" by tracing down vertically from the pressure differential of 3.5kgf/cm<sup>2</sup> (0.35MPa) L on the top up to the line of Flow 24m<sup>3</sup>/h. As the point "A" is between size 50 and 65mm. Select safer size 65mm.

#### Where, same conditions except Specific gravity : 0.6

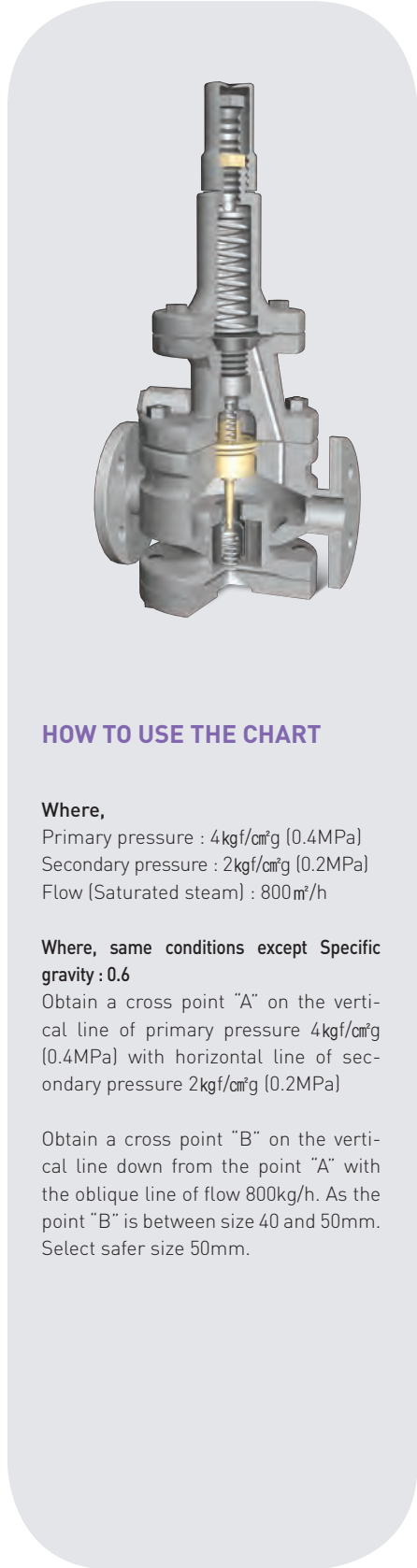
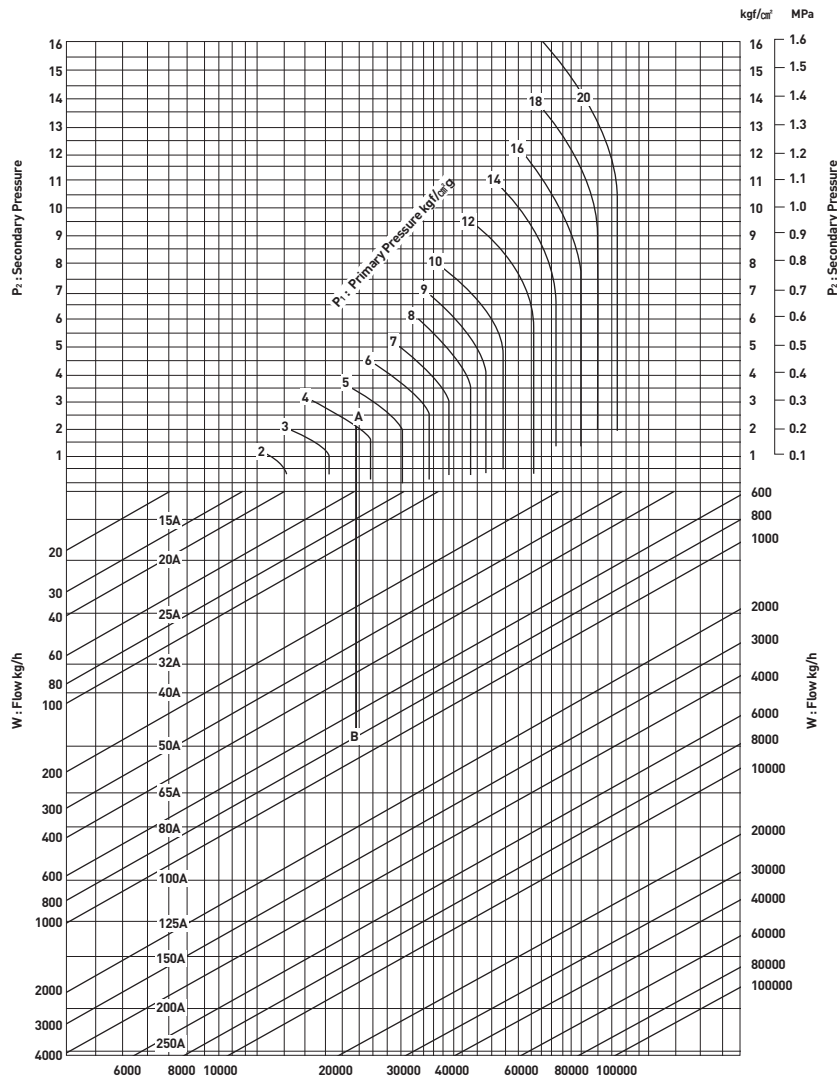
Obtain a cross point "B" by tracing down vertically from the pressure differential of 3.5kgf/cm<sup>2</sup> (0.35MPa) up to the line of specific gravity 1.0 and move in parallel with the slant line up to the cross point "C" on the line of the specific gravity 0.6 Trace down vertically to the point "D" on the cross line of Flow 24m<sup>3</sup>/h. As the point "D" is between size 40 and 50mm. Select safer size 50mm.

# TABLE FOR SIZING

## PRESSURE REDUCING VALVE [MODEL : SPRS-1F]



SPRS-1F (FOR STEAM)



### HOW TO USE THE CHART

**Where,**  
 Primary pressure : 4 kgf/cm<sup>2</sup>g (0.4MPa)  
 Secondary pressure : 2 kgf/cm<sup>2</sup>g (0.2MPa)  
 Flow (Saturated steam) : 800m<sup>3</sup>/h

**Where, same conditions except Specific gravity : 0.6**  
 Obtain a cross point "A" on the vertical line of primary pressure 4 kgf/cm<sup>2</sup>g (0.4MPa) with horizontal line of secondary pressure 2 kgf/cm<sup>2</sup>g (0.2MPa)

Obtain a cross point "B" on the vertical line down from the point "A" with the oblique line of flow 800kg/h. As the point "B" is between size 40 and 50mm. Select safer size 50mm.

TECHNICAL DATA

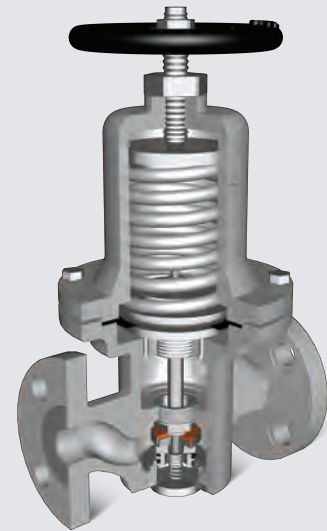
## TABLE FOR SIZING

# PRESSURE REDUCING VALVE

## [MODEL : SPRD-3F]



SPRD-3F  
(FOR AIR)



### HOW TO USE THE CHART

#### Where,

Primary pressure : 12kgf/cm<sup>2</sup>g (1.2MPa)

Secondary pressure : 7.5kgf/cm<sup>2</sup>g (0.75MPa)

Specific gravity : 1 (air)

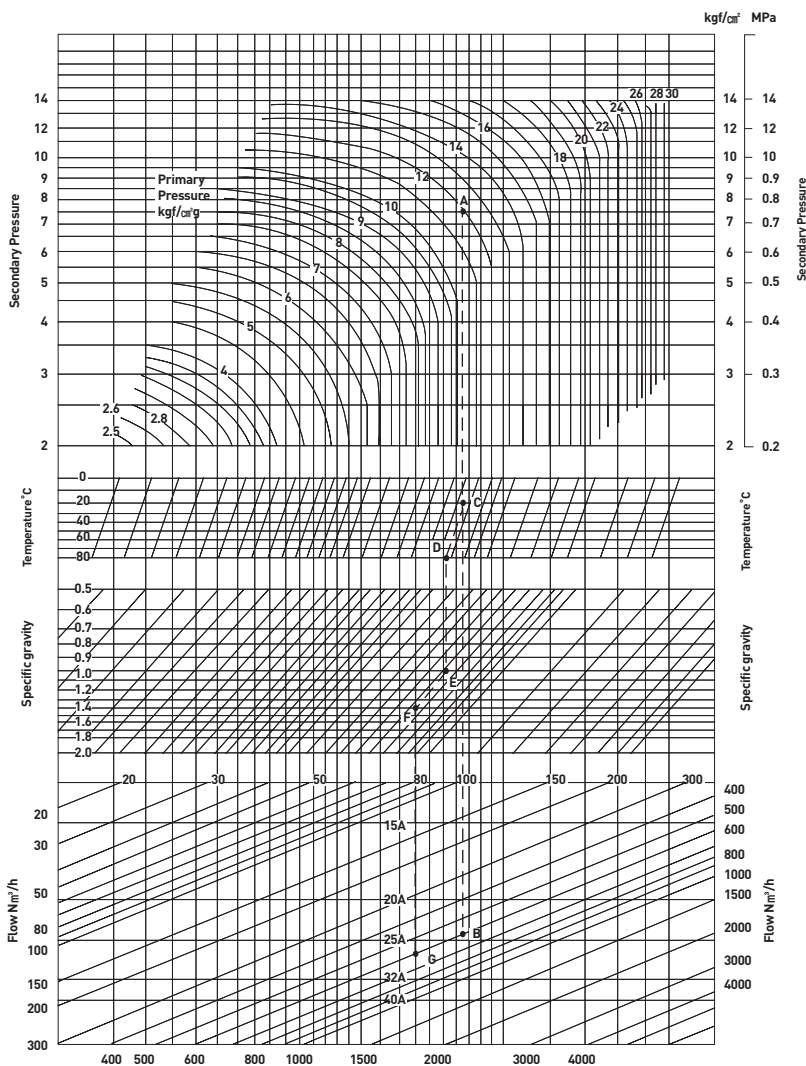
Flow : 600N<sup>m</sup>/h

Obtain a cross point "A" of primary pressure 12kgf/cm<sup>2</sup>g (1.2Mpa) and secondary pressure 7.5kgf/cm<sup>2</sup>g (0.75Mpa). Obtain a cross point "B" of flow 600N<sup>m</sup>/h by vertically tracing down from "A" node. Choose nominal diameter 25A because "B" is located between nominal diameter 20A and 25A.

**Under the same condition, in case of temperature 80°C and specific gravity 1.4, what is the nominal diameter ?**

Obtain a cross point "C" with the temperature of 24°C by vertically tracing down from "A". Obtain "D" by parallel transference toward the temperature 80°C line from "C".

From "D", vertically tracing down, obtain a cross point "E" with specific gravity 1. And from "E", obtain "F" by parallel transference toward specific gravity 1.4's line, and by vertically tracing down, obtain a cross point "G" of flow 600N<sup>m</sup>/h. Choose nominal diameter 32A because a cross point "G" is located between 25A and 32A.



# TABLE FOR SIZING

## PRIMARY REGULATING VALVE

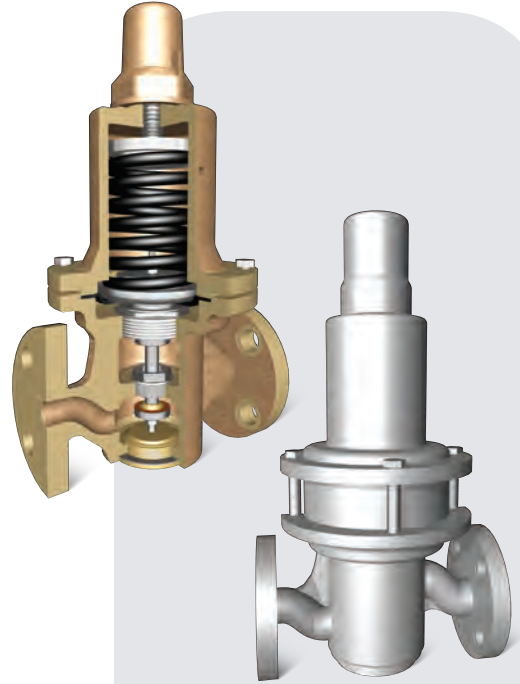
[MODEL : SPPD-1F]

## PISTON TYPE PRESSURE REGULATING VALVE

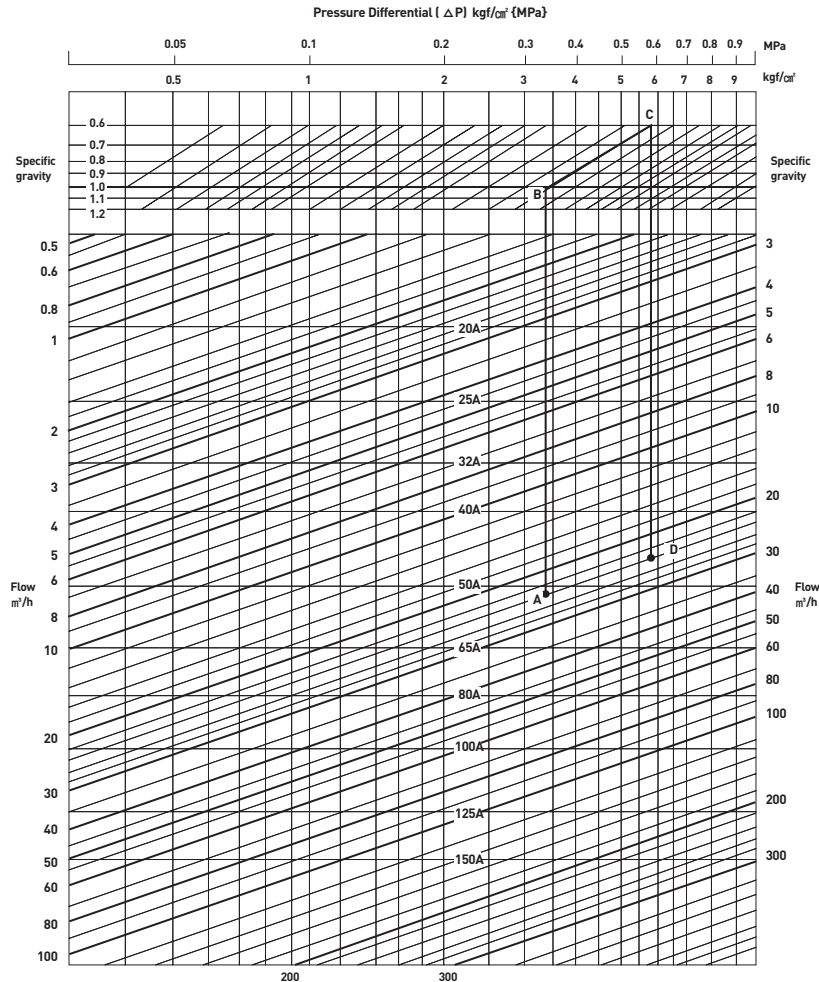
[MODEL : SPPP-1F]



SPPD-1F, SPPP-1F  
(FOR LIQUID)



TECHNICAL DATA



### HOW TO USE THE CHART

**Where,**

Primary pressure : 5.5kgf/cm<sup>2</sup>g (0.55MPa)  
 Secondary pressure : 2kgf/cm<sup>2</sup>g (0.2MPa)  
 Pressure differential : 3.5kgf/cm<sup>2</sup>g (0.35MPa)  
 Specific gravity : 1 (water)  
 Flow : 24 m<sup>3</sup>/h  
 Obtain a cross point "A" by tracing down vertically from the pressure differential of 3.5kgf/cm<sup>2</sup>g (0.35MPa) L on the top up to the line of Flow 24 m<sup>3</sup>/h. As the point "A" is between size 50 and 65mm. Select safer size 65mm.

**Where, same conditions except Specific gravity : 0.6**

Obtain a cross point "B" by tracing down vertically from the pressure differential of 3.5kgf/cm<sup>2</sup>g (0.35MPa) up to the line of specific gravity 1.0 and move in parallel with the slant line up to the cross point "C" on the line of the specific gravity 0.6 Trace down vertically to the point "D" on the cross line of Flow 24 m<sup>3</sup>/h. As the point "D" is between size 40 and 50mm. Select safer size 50mm.



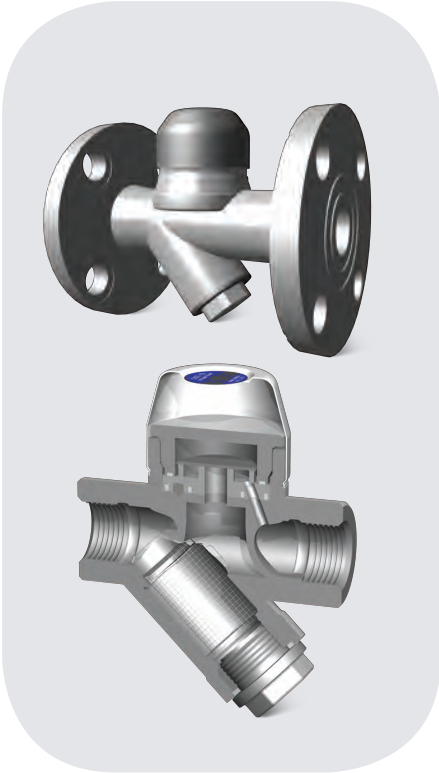
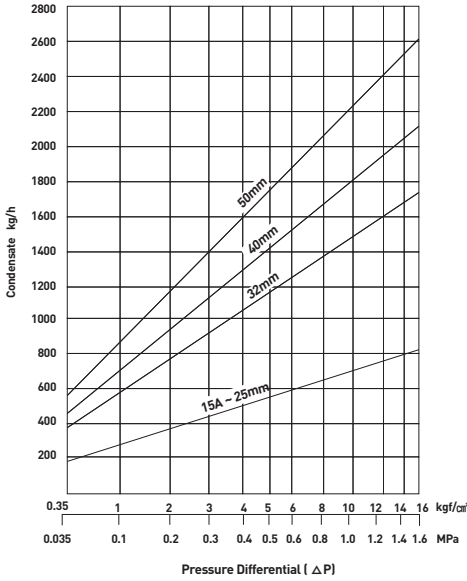
# TABLE FOR SIZING

## DISC TYPE STEAM TRAP

[MODEL : SPTD-1F / 1S]



SPTD-1F / 1S

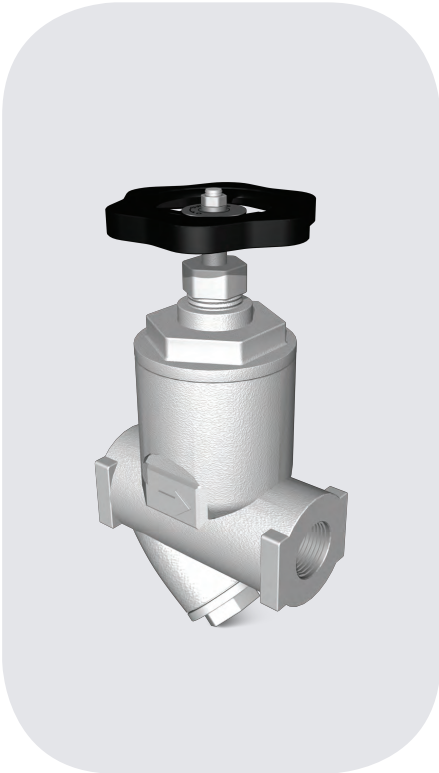
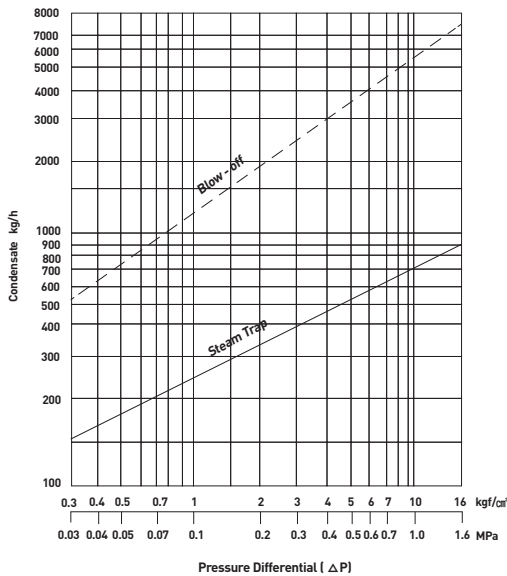


## BY-PASS TYPE STEAM TRAP

[MODEL : SPTP-1S]



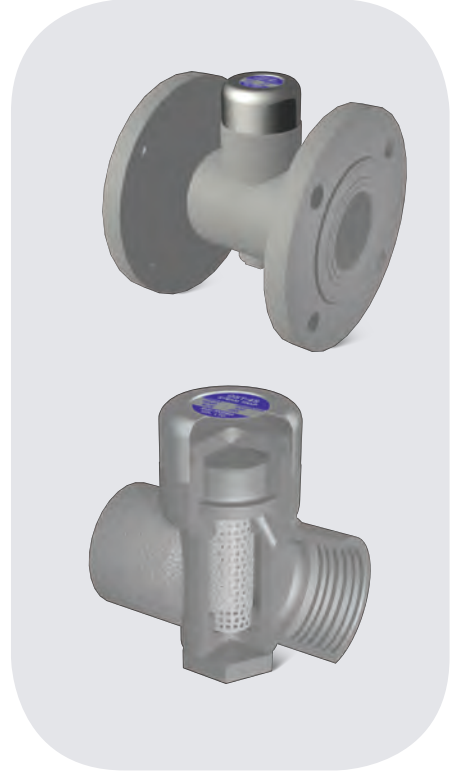
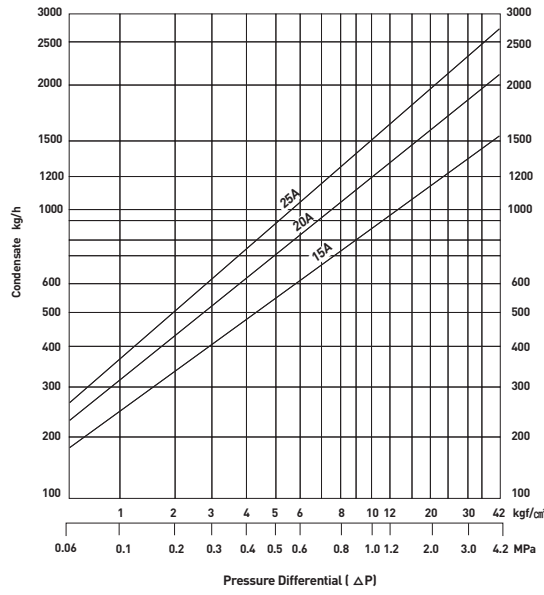
SPTP-1S



# TABLE FOR SIZING

## DISC TYPE STEAM TRAP [MODEL : SPTD-4F / 4S]

SPTD-4F / 4S



## BUCKET TYPE STEAM TRAP [MODEL : SPTB-1F / 1S]

SPTB-1F / 1S

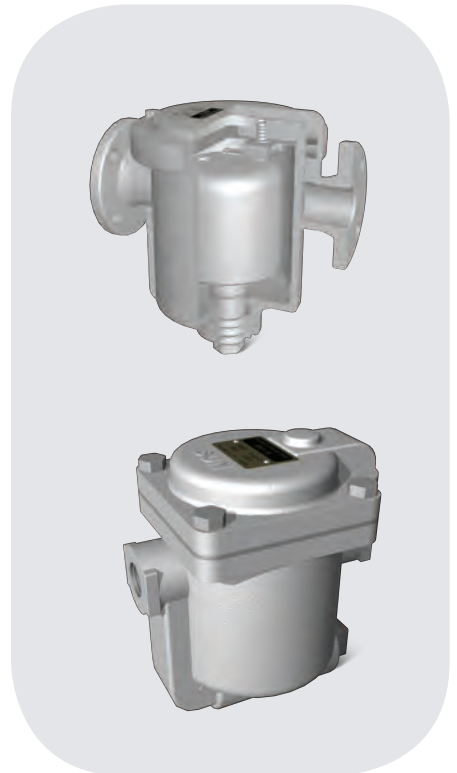
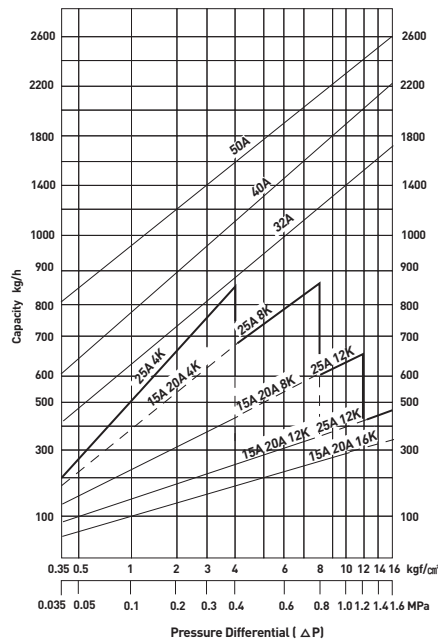


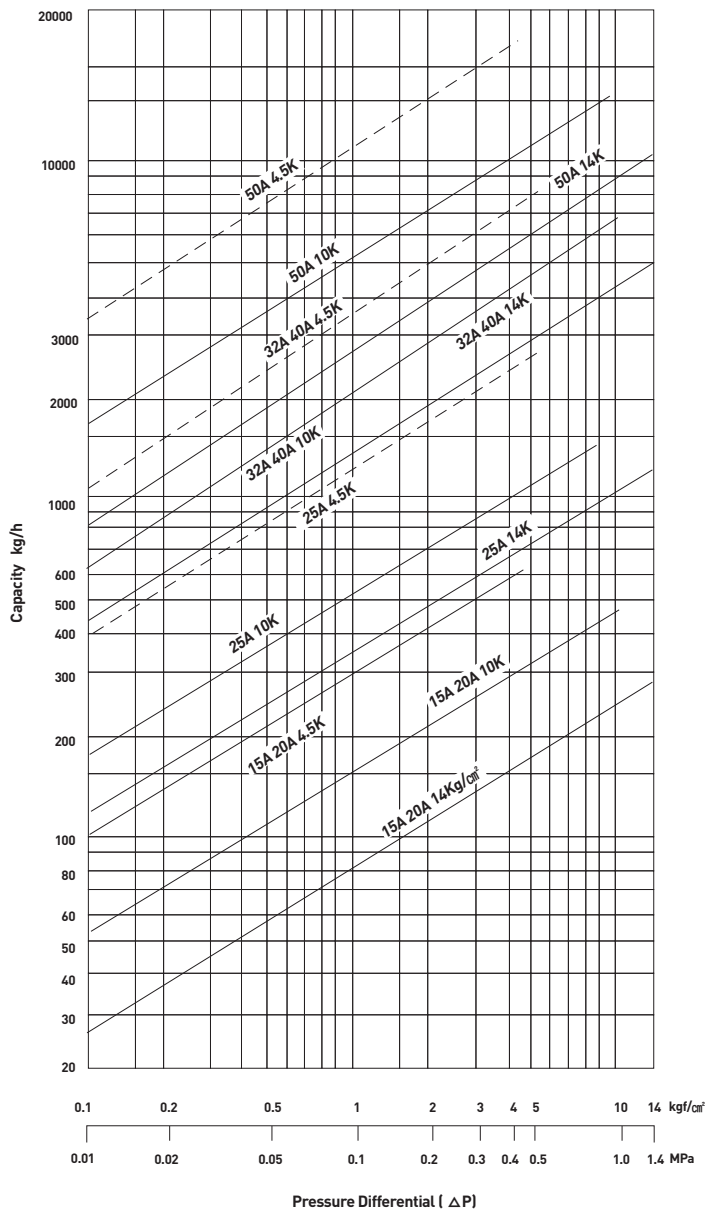
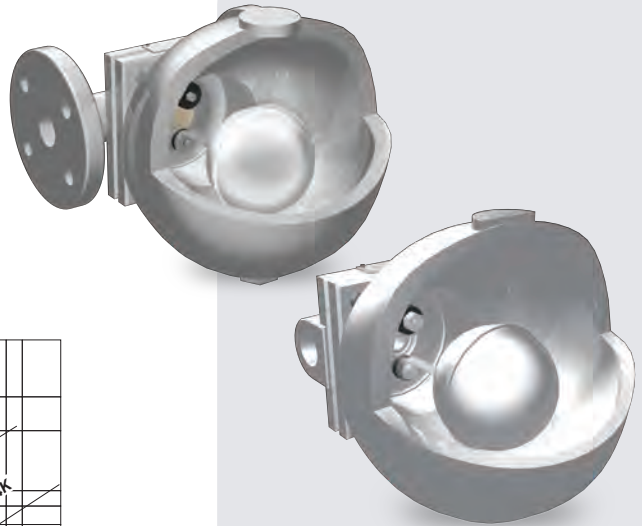
TABLE FOR SIZING

# FLOAT TYPE STEAM TRAP

[MODEL : SPTF-1F / 1S]

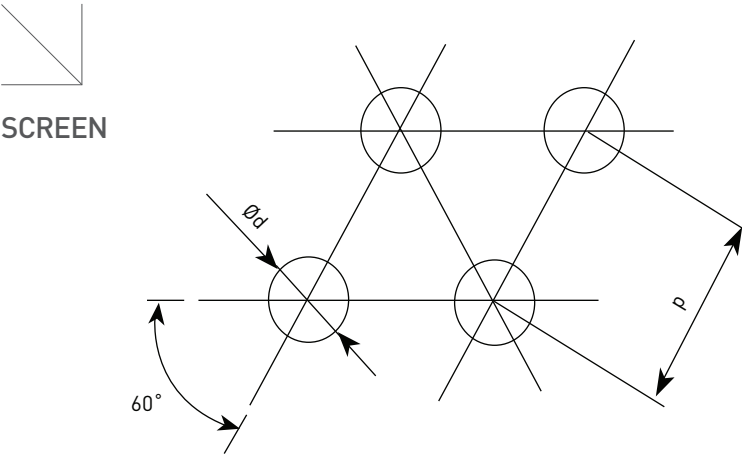
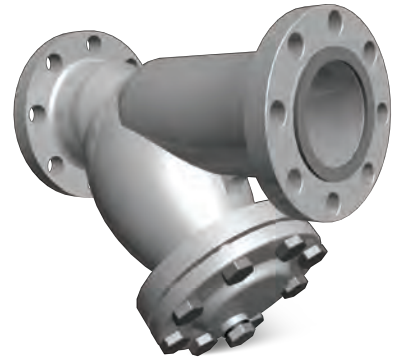


SPTF-1F / 1S



# TABLE FOR SIZING

## Y-TYPE STRAINER [MODEL : SPFY-1F]



TYPE	PERFORATION OF FILTER							
	SCREEN				SCREEN WITH MESH INSIDE			
PART	SCREEN				SCREEN WITH MESH INSIDE			
SIZE	t	Ød	P	OPEN AREA RATIO (%)	t	Ød	P	OPEN AREA RATIO (%)
15A ~ 25A	0.25	0.8	1.5	25.88	0.5	3.0	4.0	51.19
32A ~ 50A	0.3	1.0	1.7	31.48				
65A ~ 100A	0.5	1.2	2.0	32.76	0.7	5.0	6.5	53.85
125A ~ 150A	0.6	1.5	2.2	42.30	1.0	8.0	10.0	58.24
200A	0.8	1.8	2.5	47.17				

- CALCULATION OF OPEN AREA RATIO :  $F = 91.0 \times d^2/P^2$  [F : open area ratio (%), d : hole diameter (mm), P : hole pitch (mm)]

MESH	PITCH	S.W.G	WIRE DIA (mm)	OPEN AREA RATIO (%)
20	1.2700	30	0.3150	56.5
40	0.6350	35	0.2134	44.1
60	0.4233	38	0.1524	41.2
80	0.3175	41	0.1118	42.0
100	0.2540	42	0.0813	37.5
120	0.2116	44	0.0813	37.5
160	0.1588	46	0.0613	37.5
200	0.1270	48	0.0406	36.2



**SUN KOREA CO., LTD**

#498-65, DAEJEO 1 DONG, GANGSEO-GU, BUSAN, KOREA

**SUN PRECISION CO., LTD**

#498-67, DAEJEO 1 DONG, GANGSEO-GU, BUSAN, KOREA

**SUN DESIGN CO., LTD**

#492-2, DAEWOO EDEN PLAZA, HADAN-2 DONG, SAHA-GU, BUSAN, KOREA